

UNOLUMEN COLLECTION Indoor and outdoor lighting



UNOLUMEN®  
(an entity of NORLYS Srl)

*Unolumen Italia*  
Via San Pellegrino, 2,  
25065, Lumezzane Brescia  
Italy

[www.unolumen.com](http://www.unolumen.com)



**UNOLUMEN**<sup>®</sup>  
(an entity of NORLYS Srl)

**Index**  
Unolumen Collection



**Nizza**  
IP54 LED Deep recessed  
spotlight  
p.36



**Tolosa**  
IP54 LED Recessed Downlight  
p.38

About  
Unolumen  
p.6



**Sole**  
LED Panel light  
p.12



**Sole 30x120**  
LED Panel light  
p.14



**Sole IP65**  
LED Panel light  
p.16



**Ciara**  
IP65 LED Recessed Spotlight  
p.40



**Zara**  
IP65 LED Recessed LED  
downlight  
p.42



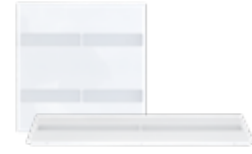
**Valencia**  
IP20 LED wall washer light  
p.46



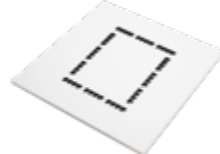
**Graz**  
IP20 LED wall washer light  
p.48



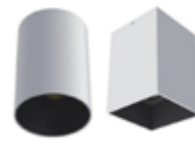
**Sole Pro**  
LED Panel light  
p.18



**Oslo**  
LED Panel light  
p.20



**Gent**  
LED Panel light  
p.22



**Cadice**  
IP20 LED Surface mounted  
downlight  
p.24



**Penza**  
IP20 LED Linear Pendant light  
p.50



**Samara**  
IP40 LED retail light  
p.54



**Nora 1**  
LED Striplight  
p.60



**Nora 2**  
LED Striplight  
p.62



**Basilea**  
IP44 LED Recessed downlight  
p.26



**Parigi**  
IP44 LED SMD downlight  
p.28



**Adonis**  
IP54 LED Recessed downlight  
p.30



**Ayla**  
IP54 LED Downlight  
p.32



**Nora 3**  
LED Striplight  
p.64



**Nora 4**  
Neon flex LED striplight  
p.66



**Nora 5**  
Neon flex LED striplight  
p.70



**Nora 6**  
Neon flex LED striplight  
p.74

All technical data and product information present in this catalogue have been prepared with the utmost care. However, due to ongoing technological advancements, we reserve the right to make changes without prior notice. Product images are for illustrative purposes and may not reflect their actual appearance. If you have any questions or concerns, please feel free to contact our customer service department.

All technical data and product information present in this catalogue have been prepared with the utmost care. However, due to ongoing technological advancements, we reserve the right to make changes without prior notice. Product images are for illustrative purposes and may not reflect their actual appearance. If you have any questions or concerns, please feel free to contact our customer service department.

# Index

Unolumen Collection

UNOLUMEN®

# Index

Unolumen Collection



**Bruno**  
LED Weatherproof light  
p.82



**Bruno eco**  
LED Weatherproof light  
p.84



**Bruno SS**  
LED Weatherproof light  
p.86



**Bruno GRP**  
LED Weatherproof light  
p.88



**Mahina pro**  
LED Highbay light  
p.120



**Faro linear**  
LED linear highbay light  
p.122



**Rim 45**  
**Rim 45 Painted**  
LED Ground recessed light  
p.126



**York 52**  
LED Ground recessed light  
p.134



**Ibiza**  
IP65 Surface mounted  
LED light  
p.90



**Malaga**  
IP65 Surface wall  
mounted LED light  
p.94



**Berna**  
LED Bulkhead light  
p.96



**Rodos**  
LED Bulkhead light  
p.98



**Rim 70**  
**Rim 70 Painted**  
LED Ground recessed light  
p.136



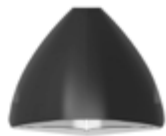
**Zeus 70**  
LED Ground recessed light  
p.144



**Torino 80**  
LED Ground recessed light  
p.152



**Zia 160**  
LED Ground recessed light  
p.154



**Tirana**  
LED Bulkhead light  
p.100



**Londra**  
LED Bulkhead light  
p.102



**Monaco**  
IP20 Ceiling surface  
mounted LED light  
p.104



**Riga**  
LED Floodlight  
p.106



**Bristol 180**  
LED Ground recessed light  
p.156



**Chester 250**  
LED Ground recessed light  
p.158



**Amalfi**  
**Amalfi RGBW**  
LED Ground recessed light  
p.160



**Amalfi adjustable**  
LED Ground recessed light  
p.166



**Porto**  
LED Spike light  
p.108



**Lucian**  
LED Sports light  
p.110



**Loretto**  
LED Highbay light  
p.114



**Praga**  
LED Highbay light  
p.118



**Venus Mini**  
**recessed**  
LED Ground recessed light  
p.170



**Venus**  
**Venus RGBW**  
LED Ground recessed light  
p.176



**Vienna**  
LED Post top light  
p.186



**Lito**  
LED Streetlight  
p.188

All technical data and product information present in this catalogue have been prepared with the utmost care. However, due to ongoing technological advancements, we reserve the right to make changes without prior notice. Product images are for illustrative purposes and may not reflect their actual appearance. If you have any questions or concerns, please feel free to contact our customer service department.

Symbols  
p.193

### About Unolumen

---

UNOLUMEN was established as an entity of Norlys Srl in the year 2019, to cater to the specific demands in the project lighting segment.

### About Norlys

---

NORLYS Srl. was founded in 2005 in Brescia, Italy to produce high quality outdoor lighting for the professional lighting business. NORLYS is one of the rare European companies which has complete control over its entire production process.

### Vision

---

Our vision is to be a world-class brand committed to providing innovative lighting solutions using the latest cutting-end technology and with the highest quality standards.

### Mission

---

To create an ecofriendly environment, synonymous with quality and reliability using the best possible engineering practices without compromising our core principles and values at any stage of our evolution.

### Our strength

---

A state-of-the-art high pressure aluminium die casting foundry was established in the early 2012, and it specializes in the manufacturing of complex pressure castings of aluminium alloys and CNC machining of outdoor light fixtures, automotive body parts and others.

Norlys has a fully equipped tool room department with the latest high-pressure molds, modern trimming dies and clamping tools. Raw casts are delivered through pre-machining and casting with our CNC machines. They are then powder coated and assembled. Our modern Machine Park allows us to control the casting process at every stage which results in castings of the highest quality.

Our Foundry specializes in:

---

Manufacturing of aluminium alloy pressure casts

---

Die casting of aluminium alloys

---

Machining of castings

---

Manufacturing of foundry molds

### In-House Laboratory & Testing

---

Our laboratory is equipped with the latest equipment and tools such as CNC measuring machine, Emission spectrometer, Vacuum density tester, Surface roughness tester, Measuring microscope and Hardness tester. This ensures quality at every stage of the production process.

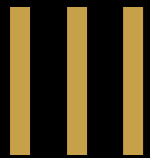
### Quality assurance

---

Norlys delivers casts of the highest quality for manufacturing light fixtures, thanks to the dynamic development as a quality supplier to the automotive industry. We use statistical process control and quality assurance tools like APQP, PPAP, FMEA, SPC and MSA.

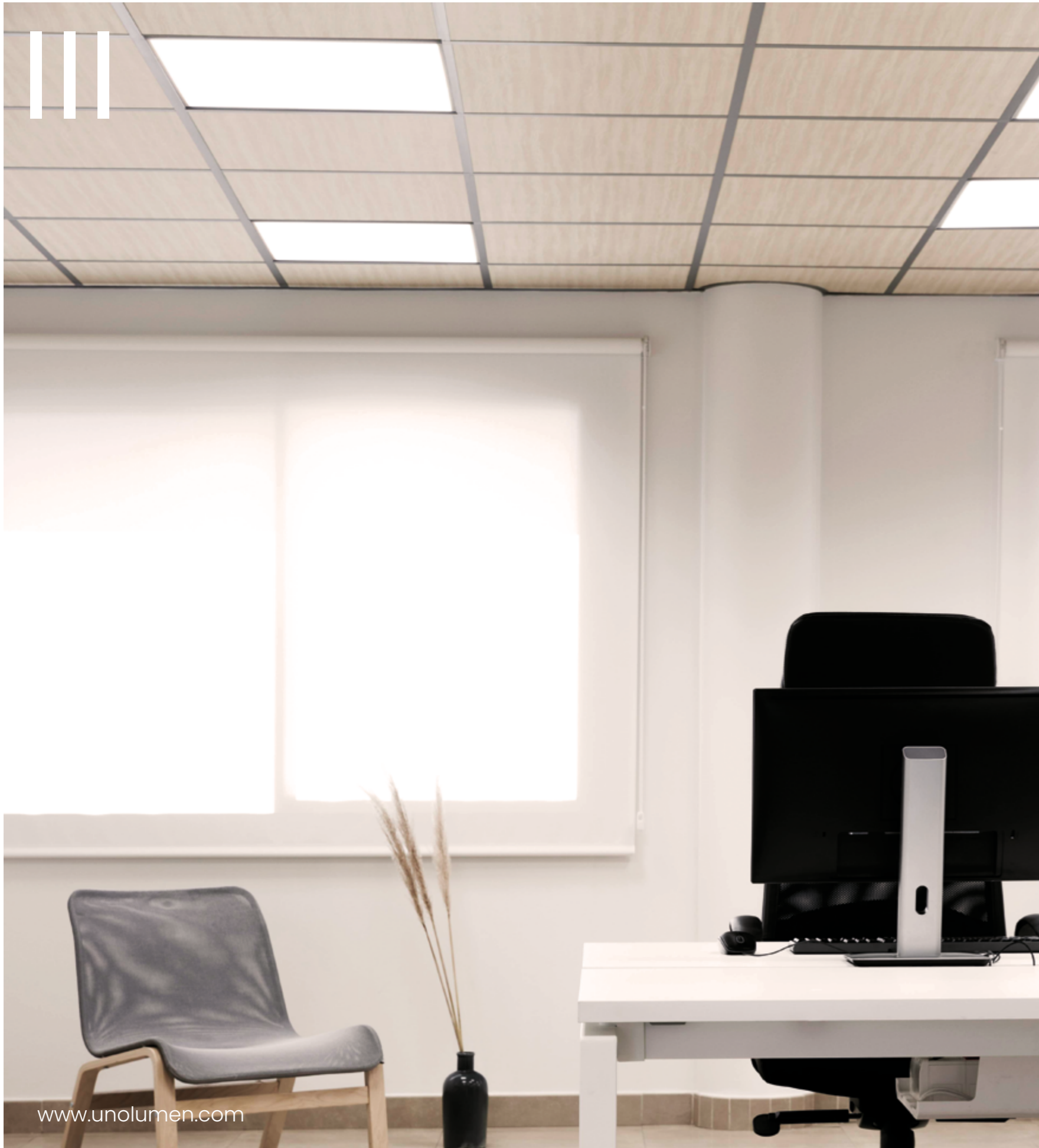
Our foundry, CNC and tool department have been ISO 9001 certified since 2003 and we continue our commitment to deliver products of the highest quality standards. In 2018, our foundry and mechanical processing units received IATF 16949 certification which confirms that our products are manufactured with the highest international standards applicable to the automotive industry.

As a company, we continuously strive for excellence and currently, the company is preparing for certification in accordance with the ISO 14001 standards.



UNOLUMEN  
**Indoor lighting**

Innovative, energy-efficient  
lighting solutions



Indoor lighting

## series **SOLE**

UNOLUMEN

SOLE series is a wide range of LED panels with easy installation and uniform illumination.

Available in 600x600mm and 300x1200mm size

Efficacy of up to 120lm/W, 130lm/W and 140lm/W

Lifespan up to 50,000 hours at 70% of the original output (L70)

Meets IP44 and IP65 requirements

Standard 5 years warranty

Accessories available for surface mount or suspension mount

Optional 1-10V/ DALI dimming and emergency versions available

### APPLICATION AREAS

Suitable for general indoor lighting applications like offices, meeting rooms, schools, hospitals and reception areas.

[www.unolumen.com](http://www.unolumen.com)

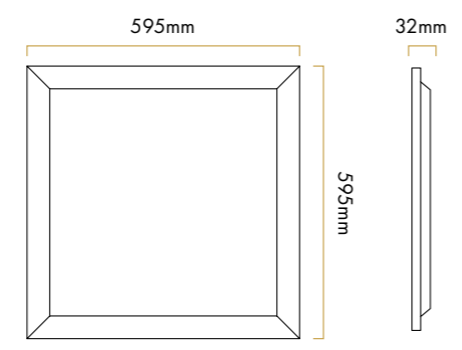


UNOLUMEN®

# Sole

Compact and seamless

Highly economical LED backlit panel lights suitable for commercial spaces



120°	IP44	CRI > 80	UGR < 19	CE
RoHS	15/+35°C	220-240V	50K HRS	5 YEARS WARRANTY

Color



## Features

Backlit LED panel lights with high lumen efficacy up to 120lm/W

Aluminium housing with prismatic diffuser; opal diffuser (optional)

CCT: 3000K | 4000K | 6000K

Ultra-flat casing of 32mm

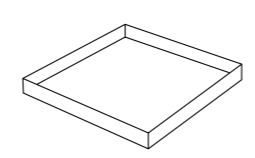
External flicker free driver, THD<15%

1-10V, DALI and Remote emergency packs available upon request

Code	Wattage	Beam angle	Lumen output	CCT
ULPLSO3030	30W	120°	3600lm	3000K
ULPLSO3040	30W	120°	3600lm	4000K
ULPLSO3060	30W	120°	3600lm	6000K



## Accessories



Surface Mount Kit  
ULPLSO30xx-SM



Suspension Kit  
ULPLSO30xx-SK

## Optional versions

1-10V Dimming  
ULPLSO30xx-110

Remote Emergency Pack  
ULPLSO30xx-EM

DALI Dimmable  
ULPLSO30xx-DALI



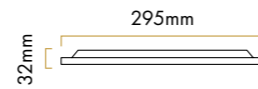
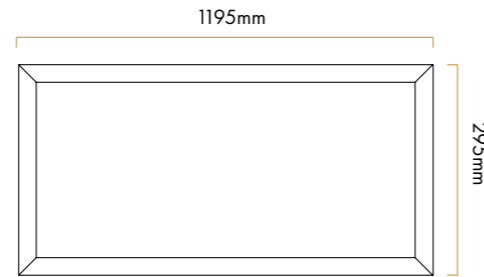
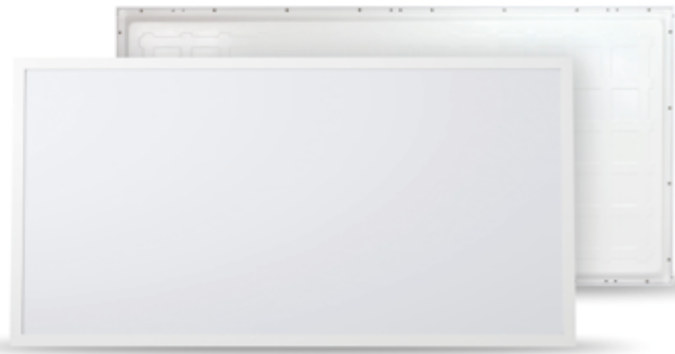
xx = selection of color temperature



# Sole 30x120











Compact and seamless

Highly economical backlit LED panel lights suitable for commercial spaces



Color



 120°	 IP44	 CRI > 80	 UGR < 19	 CE
 RoHS	 15/+35°C	 220-240V	 50K HRS	 5 YEARS WARRANTY

## Features

Backlit panel lights with high lumen efficacy up to 120lm/W

Aluminium housing with prismatic diffuser; opal diffuser (optional)

CCT: 3000K | 4000K | 6000K

Ultra-flat casing of 32mm

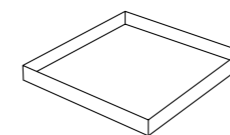
External flicker free driver, THD<15%

1-10V, DALI and Remote emergency packs available upon request

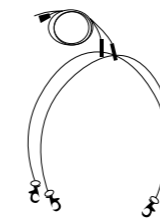
Code	Wattage	Beam angle	Lumen output	CCT
ULPLSO3123030	30W	120°	3600lm	3000K
ULPLSO3123040	30W	120°	3600lm	4000K
ULPLSO3123060	30W	120°	3600lm	6000K



## Accessories



Surface Mount Kit  
ULPLSO31230xx-SM



Suspension Kit  
ULPLSO31230xx-SK

## Optional versions

1-10V Dimming  
ULPLSO312xx-110

Remote Emergency Pack  
ULPLSO31230xx-EM

DALI Dimmable  
ULPLSO31230xx-DALI

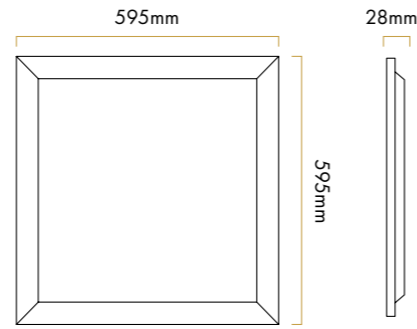


xx = selection of color temperature

# Sole IP65

Compact and seamless

Highly durable, water-resistant IP65 LED backlit panel lights suitable for commercial spaces



120°	IP65 FRONT	IP40 BACK	CRI > 80	UGR < 19	CE
RoHS	-15/+35°C	220-240V	50K HRS	5 YEARS WARRANTY	

Color



## Features

Backlit LED panels with high Lumen output up to 130lm/W

Double-side welded aluminium frame and steel backplate ensures reliability and durability

Non-yellowing PMMA diffuser, No LGP

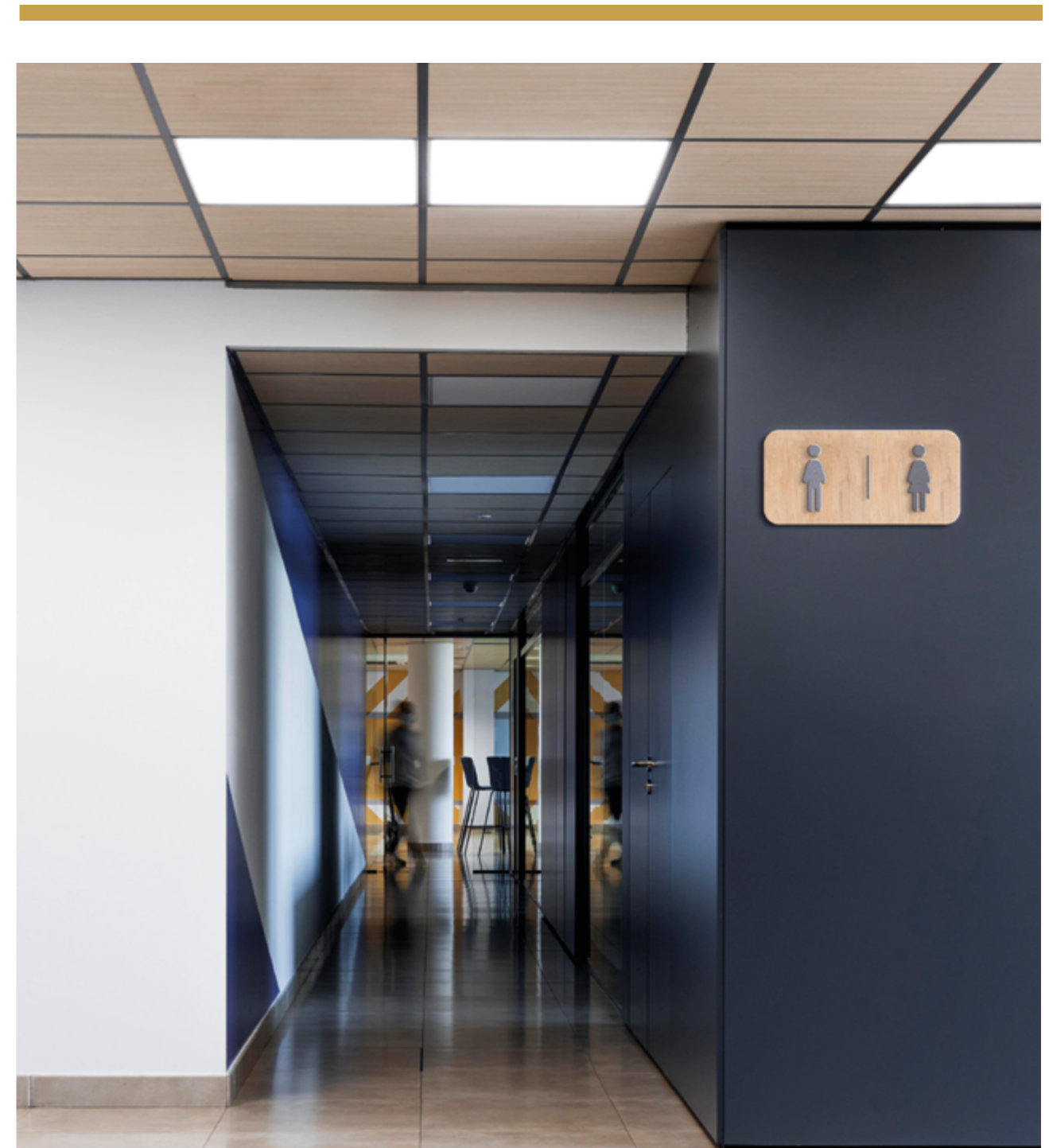
CCT: 3000K | 4000K | 6000K

Extremely ultra-flat casing of 28mm

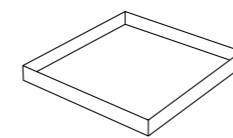
External flicker free driver, THD<15%

DALI, Motion sensor, Daylight sensor and emergency versions available on request

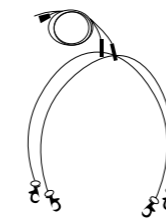
Code	Wattage	Beam angle	Lumen output	CCT
ULPLSOIP3630	36W	120°	4680lm	3000K
ULPLSOIP3640	36W	120°	4680lm	4000K
ULPLSOIP3660	36W	120°	4680lm	6000K



## Accessories



Surface Mount Kit  
ULPLSOIP36xx-SM



Suspension Kit  
ULPLSOIP36xx-SK

## Optional versions

Motion sensor  
ULPLSOIP36xx-MS

Daylight sensor  
ULPLSOIP36xx-DS

Remote Emergency Pack  
ULPLSOIP36xx-EM

DALI Dimmable  
ULPLSOIP36xx-DALI

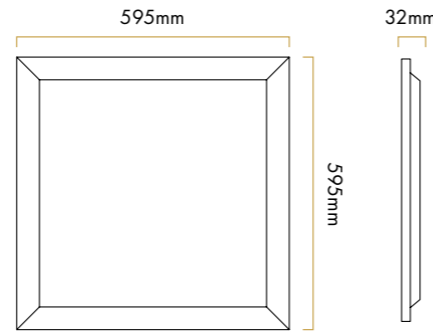








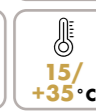



xx = selection of color temperature

# Sole PRO

Compact and sameless

High efficiency TP(a) rated backlit LED panel lights suitable for commercial spaces



 120°	 IP44	 CRI > 80	 UGR < 19	 CE
 RoHS	 15/+35°C	 220-240V	 50K HRS	 5 YEARS WARRANTY

Color



## Features

Backlit LED panel lights with lumen efficacy of 140lm/W

TP(a) Fireproof rated

Aluminium housing with prismatic diffuser; opal diffuser (optional)

CCT: 3000K | 4000K | 6000K

Ultra-flat casing of 32mm

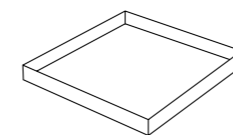
External flicker free driver, THD<15%

1-10V, DALI dimming and Remote emergency packs available upon request

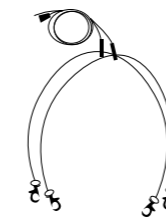
Code	Wattage	Beam angle	Lumen output	CCT
ULPLSOPRO3030	30W	120°	4200lm	3000K
ULPLSOPRO3040	30W	120°	4200lm	4000K
ULPLSOPRO3060	30W	120°	4200lm	6000K



## Accessories



Surface Mount Kit  
ULPLSOPRO30xx-SM



Suspension Kit  
ULPLSOPRO30xx-SK

## Optional versions

1-10V Dimming  
ULPLSOPRO30xx-110

Remote Emergency Pack  
ULPLSOPRO30xx-EM

DALI Dimmable  
ULPLSOPRO30xx-DALI



xx = selection of color temperature

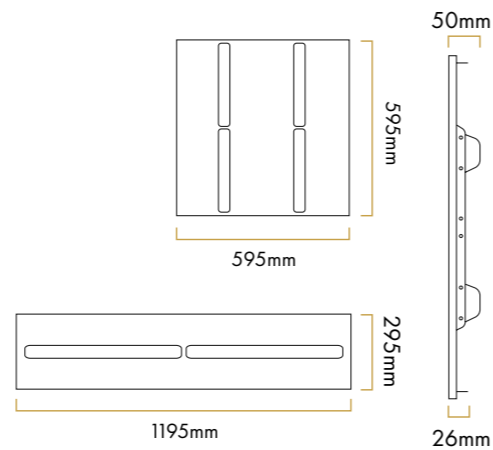
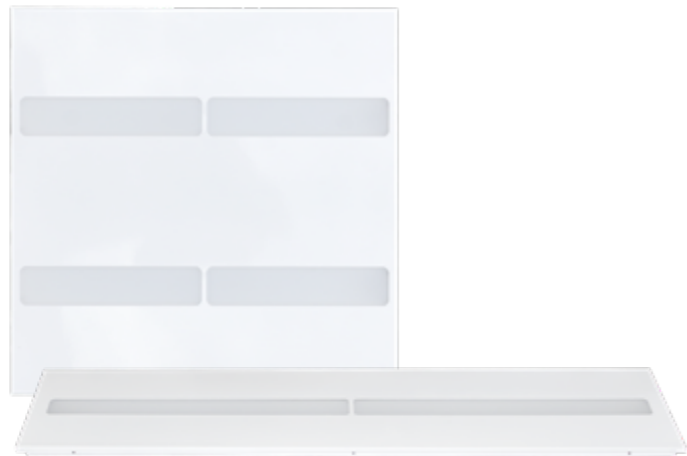


UNOLUMEN®

# Oslo

LED ceiling recessed panel light

Sheet steel housing with 120lm/W luminaire efficacy



- 36° beam angle
- IP20 protection
- CRI ≥ 80
- CE mark
- 20/+40°C temperature range
- 50K HRS lifespan
- 5 YEARS WARRANTY

Color



## Features

Sheet steel housing

Standard opal PMMA diffuser; microprismatic diffuser on request

Recessed Mounting; Surface/Suspended options on request

Wattages: 25W | 30W | 35W

CCT: 4000K standard; 3000K/5000K available on request

External on/off Electronic control gear; DALI / Push Dim on request

Code	Wattage	CCT	Lumen output	Dimensions
ULPLOS2540OPA	25W	4000K	3000lm	595x595 mm
ULPLOS3040OPA	30W	4000K	3550lm	595x595 mm
ULPLOS3540OPA	35W	4000K	4100lm	595x595 mm
ULPLOS2540OPB	25W	4000K	3000lm	295x1195 mm
ULPLOS3040OPB	30W	4000K	3550lm	295x1195 mm
ULPLOS3540OPB	35W	4000K	4100lm	295x1195 mm



## Dimensions

595mm X 595mm  
ULPLOSxxyyzzA

295mm X 1195mm  
ULPLOSxxyyzzB

## Accessories

Surface Mount  
ULPLOSxxyyzz\_SM

Pendant Mount  
ULPLOSxxyyzz\_PM

## Optional versions

DALI dimming  
ULPLOSxxyyzz\_-DALI

Push Dimming  
ULPLOSxxyyzz\_-PUSH

Prismatic diffuser  
ULPLOSxxyyPR\_

Opal diffuser  
ULPLOSxxyyOP\_



xx = selection of wattage

yy = selection of color temperature

zz = selection of diffuser

\_ = selection of dimension

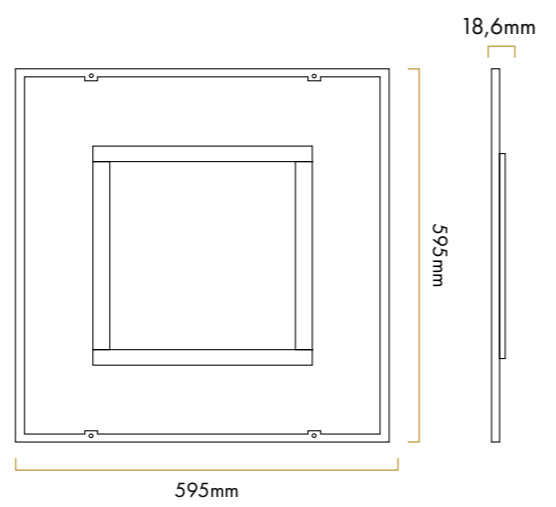
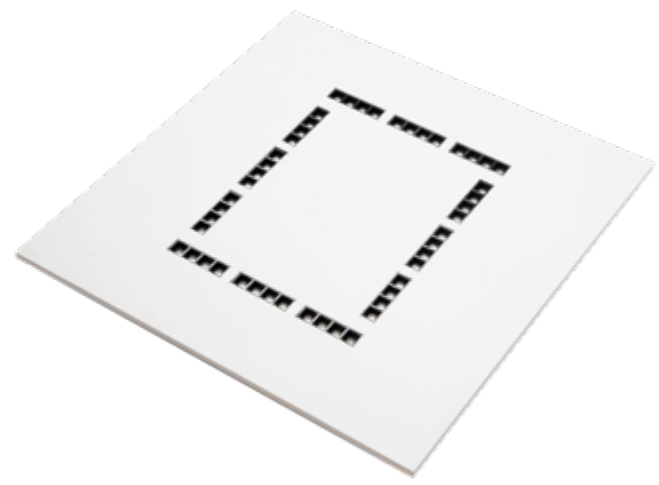


UNOLUMEN®

# Gent

IP53 LED ceiling recessed panel light

Aesthetics and performance with direct/indirect illumination

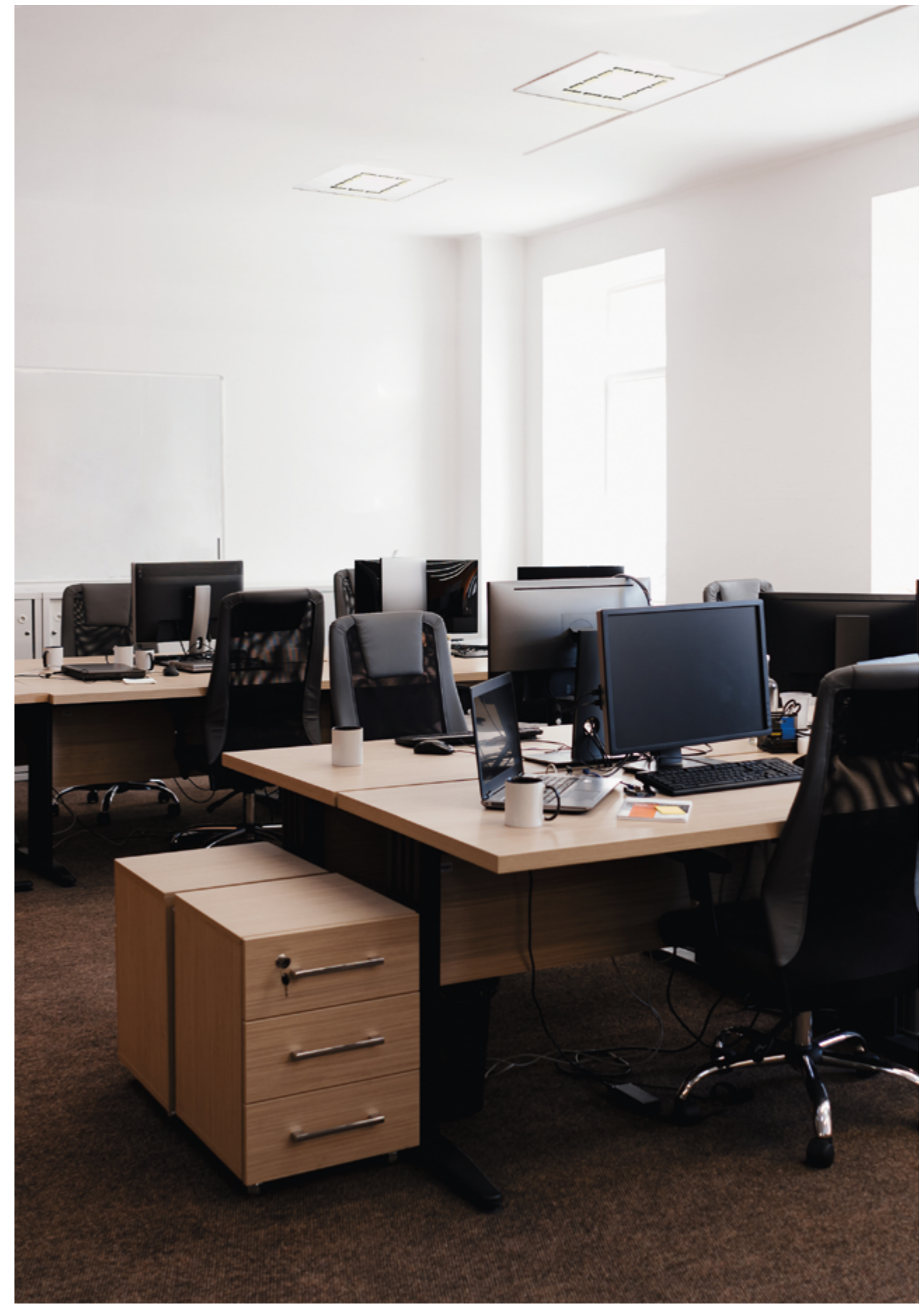


64°	IP53	CRI ≥ 92	IK03	UGR < 9	CCT 4000K
CE	-20/+40°C	220-240V	50K HRS	5 YEARS WARRANTY	

## Features

- Iron casing in Ral9016 color
- High lumen efficiency of 160lm/W
- Great visual comfort due to 64° special optics and UGR<9
- UGR<9 provides glare free lighting
- Direct/indirect light distribution
- Standard external on/off electronic control gear

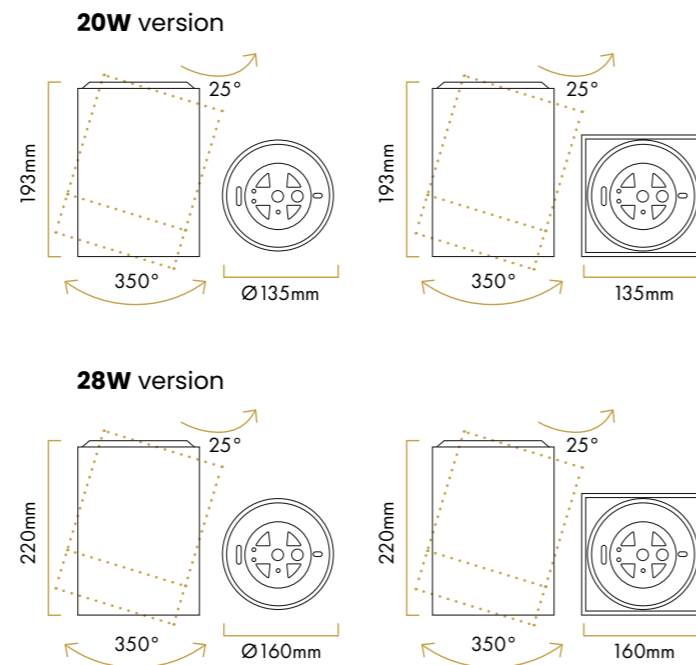
Code	Wattage	CCT	Lumen output
ULPLGE2440	24W	4000K	3840lm







# Cadice

LED surface mounted downlight

Diecast aluminium body with high quality reflector



-  38°
-  IP20
-  CRI ≥90
-  CE
-  RoHS
-  -20/+40°C
-  220-240V
-  50K HRS
-  5 YEARS WARRANTY

Colors



## Features

Round or Square shape options

Minimal trim design

Available in 20W or 28W COB

Beam Angle 15° | 24° | 38° | 55°

CCT: 2700K | 3000K | 4000K | 5000K

Built-in, non-dimmable, flicker-free driver as standard

1-10V/ DALI dimming options available on request

Code	Wattage	Beam angle	Lumen output	CCT	Shape
ULSDCA203830R	20W	38°	1800lm	3000K	round
ULSDCA203830S	20W	38°	1800lm	3000K	square
ULSDCA283830R	28W	38°	2500lm	3000K	round
ULSDCA283830S	28W	38°	2500lm	3000K	square



## Color finish options

Matt White  
ULSDCAxxyyzzA-MW

Matt Black  
ULSDCAxxyyzzA-MB



- xx = selection of wattage
- yy = selection of beam angle
- zz = selection of color temperature
- A = selection of shape



UNOLUMEN®

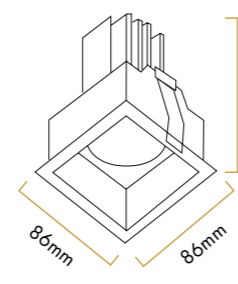
# Basilea

LED recessed square downlight

IP44 rated aluminium body with fixed single/adjustable double light source

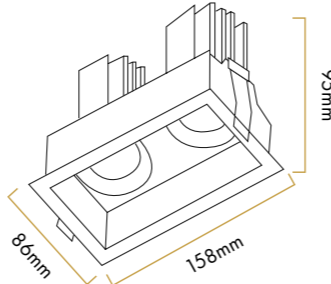


Single version



Cutout  
Ø78x78

Double version



Cutout  
Ø150x78mm

36°  
IP44  
CRI ≥90  
CE  
RoHS

-20/+40°C  
Input Current 500mA DC  
50K HRS  
5 YEARS WARRANTY

Colors

textured white  
textured black

## Features

Aluminium alloy material

COB LED chip with PMMA lens

Beam angles: 15° | 24° | 36° | 55°

CCT: 2700K | 3000K | 4000K

Requires dimmable/non-dimmable remote LED power supply

Code	Wattage	Lumen output	No. of light Sources	Adjustability	CCT
UDDLBA103630	10W	960lm	single	fixed	3000K
UDDLBA2*103630	2*10W	2x960lm	double	adjustable	3000K

Code	Dimensions	Cut out size	Mounting surface thickness
UDDLBA103630	86x86x100 mm	78x78 mm	Up to 40 mm
UDDLBA2*103630	156x86x95 mm	150x78 mm	Up to 35 mm



## Color finish options

Textured White  
UDDLBAxxyyzz-TW

Textured Black  
UDDLBAxxyyzz-TB



xx = selection of wattage

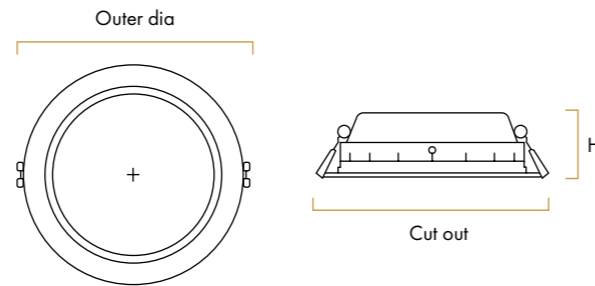
yy = selection of beam angle

zz = selection of color temperature

# Parigi

## High lumen SMD downlight

Economical IP44 LED downlight with high CRI, suitable for commercial spaces



### Colors



### Features

Die-cast aluminium body with PMMA diffuser

Available in 9W, 15W and 23W

Lumen output of 100lm/W with CRI>80

CCT: 4000K standard; 3000K | 5700K available on request

IP44 rating suitable for indoor applications

Comes with standard on-off driver; 1-10V | DALI dimming options available on request

Code	Wattage	CCT	Lumen output	Cut-out diaxH	Outer dia
ULDPA0940	9W	4000K	900lm	Ø90x31,5 mm	Ø110 mm
ULDPA1540	15W	4000K	1500lm	Ø145x46,7 mm	Ø165 mm
ULDPA2340	23W	4000K	2300lm	Ø200x65,5 mm	Ø230 mm



### Color finish options

Matt White  
ULDPAyyzz-MW

Matt Black  
ULDPAyyzz-MB

### Option versions

Dali dimming  
ULDPAxxyy-DALI

1-10V Dimming  
ULDPAxxyy-110



**xx** = selection of wattage

**yy** = selection of color temperature



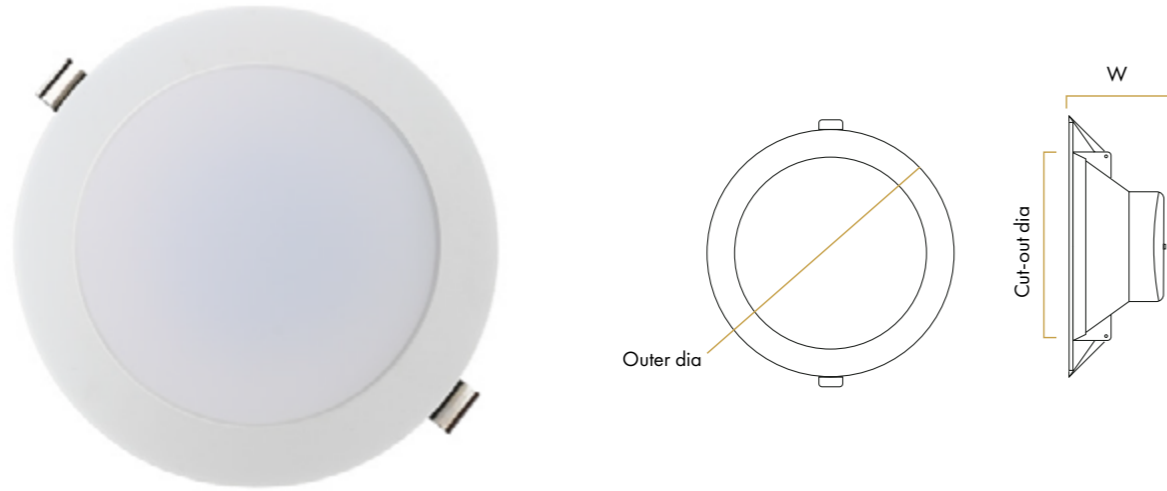


UNOLUMEN®

# Adonis

## High lumen SMD downlight

Economical LED Downlight with high lumen SMD and built-in driver, suitable for commercial spaces



- 90°
- IP54
- CRI ≥80
- CE
- RoHS
- 20/+45°C
- 50K HRS
- 5 YEARS WARRANTY

Colors



### Features

- Up to 70% energy saving compared to standard CFL downlights
- Dimmable using triac dimmer
- Plastic fire-rated housing with PC diffuser
- IP54 cover | IP40 body
- No UV/IR light
- Environment friendly, without mercury or any other hazardous substances
- Comes with integrated phase dimmable driver as standard

Code	Wattage	Lumen output	CCT	Dimensions (DiaxW)	Cut-out dimensions
ULDLAD1630	16W	1600lm	3000K	Ø190x74 (6") mm	Ø160-170 mm
ULDLAD2030	20W	2100lm	3000K	Ø225x84 (8") mm	Ø200-210 mm



### Optional version

Phase Dimming  
ULDLADxxyy-PHASE



xx = selection of wattage

yy = selection of color temperature

# Ayla

## High-end architectural LED downlight

Adapts to high ceiling applications with UGR<16 design and maximum visual comfort, suitable for semi-outdoor applications



Secondary reflector color options



### Features

Die-cast aluminium housing with small ventilation design enables efficient heat transfer

Recessed mount ceiling cut-out: 125mm/150mm

Beam angles: 24° | 38° | 60°

CCT: 2700K | 3000K (4000K available on request)

Secondary reflectors color options: Black/Bright Silver/Matt Silver/Gold

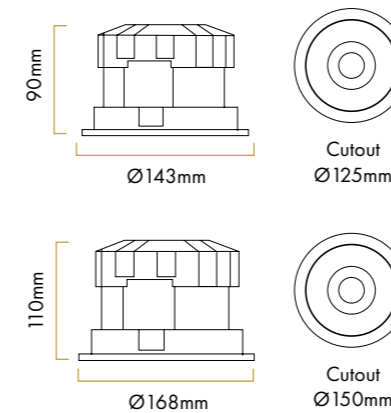
Tool-free, magnetic reflector design enables easy replacement and field-adjustment

On-Off, Tunable white, TRIAC, 0-10V, DALI option available

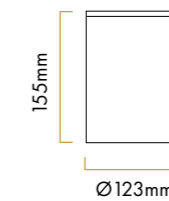
Housing Color: White/Black

Code	Wattage	Cut out dimension	Luminous flux	CCT	Beam angle
U LDLAY302724	30W	125mm	2318lm	2700K	24°
U LDLAY303024	30W	125mm	2441lm	3000K	24°
U LDLAY352724	35W	125mm	2865lm	2700K	24°
U LDLAY353024	35W	125mm	3016lm	3000K	24°
U LDLAY402724	40W	150mm	3416lm	2700K	24°
U LDLAY403024	40W	150mm	3596lm	3000K	24°
U LDLAY452724	45W	150mm	3853lm	2700K	24°
U LDLAY453024	45W	150mm	4056lm	3000K	24°
U LDLAY502724	50W	150mm	4083lm	2700K	24°
U LDLAY503024	50W	150mm	4298lm	3000K	24°

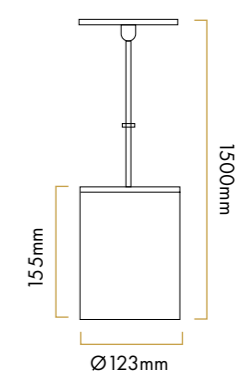
#### Recessed mount version



#### Surface mount version



#### Pendant mount version



### Secondary reflector color options

Black  
U LDLAYxxyyzz-BK

Matt Silver  
U LDLAYxxyyzz-MS

Bright Silver  
U LDLAYxxyyzz-BS

Gold  
U LDLAYxxyyzz-GD

### Optional versions

TRIAC  
U LDLAYxxyyzz-TR

Tunable White  
U LDLAYxxyyzz-TW

0-10V Dimming  
U LDLAYxxyyzz-010

DALI Dimmable  
U LDLAYxxyyzz-DALI



- xx = selection of wattage
- yy = selection of color temperature
- zz = selection of beam angle



**Ayla**

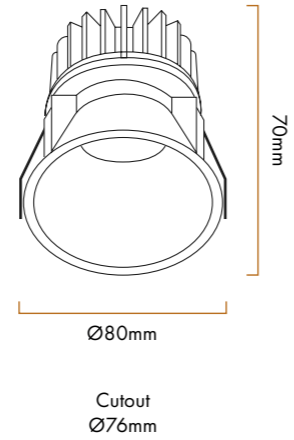


UNOLUMEN®

# Nizza

## Deep recessed LED spotlight

Aluminium alloy body with high quality reflector



36°	IP54	CRI ≥ 90	CE	RoHS
220-240V	-20/+40°C	Input Current 500mA DC	40K HRS	5 YEARS WARRANTY

### Colors

textured white	textured black
----------------	----------------

### Features

Aluminium alloy body, trimless, elegant design

CCT: 2700K | 3000K | 4000K

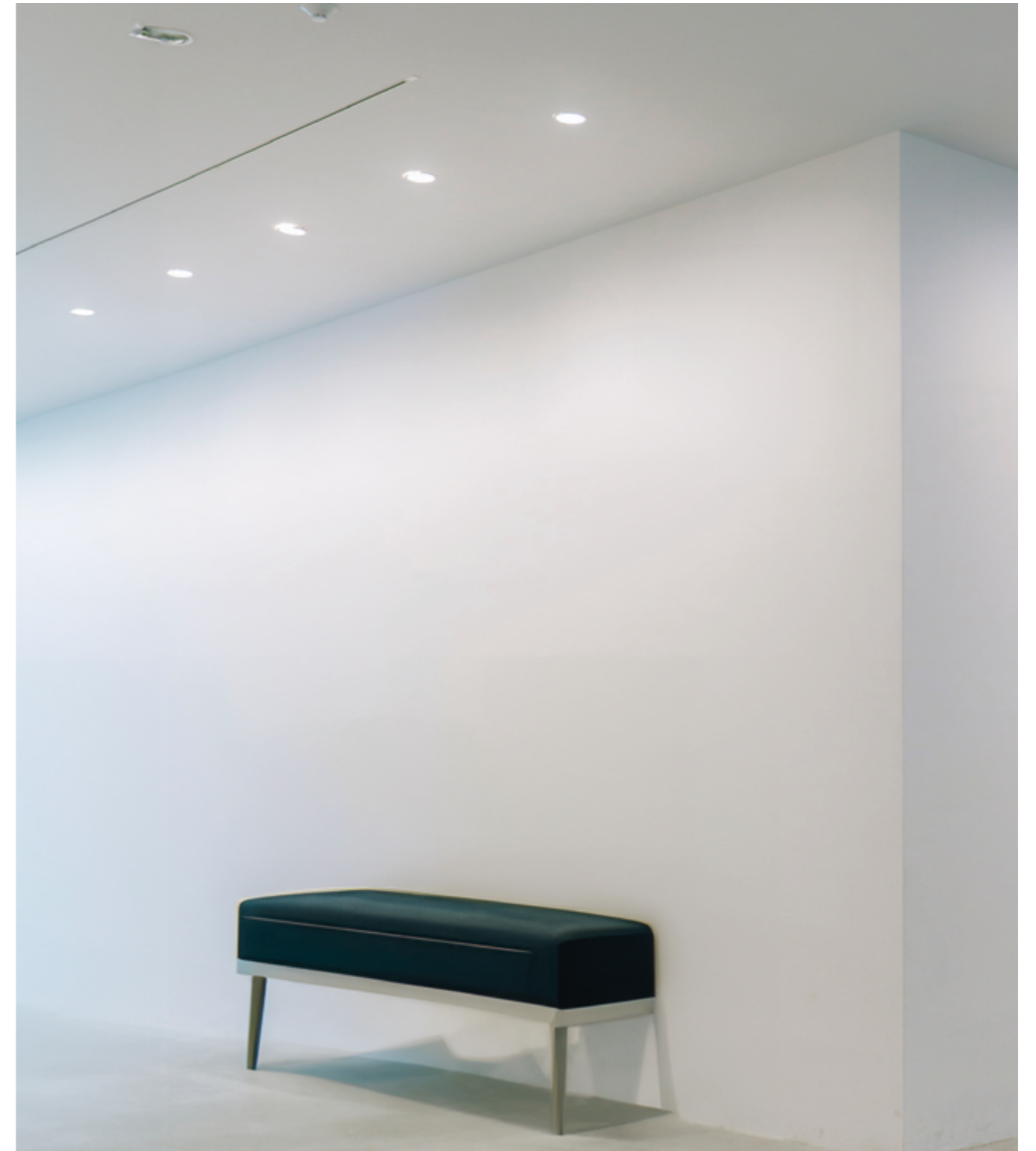
7W / 10W COB LED with PMMA lens

Beam angles: 15° | 24° | 36° | 55°

Requires dimmable/non-dimmable remote LED power supply

CRI>80 available on request

Code	Wattage	Beam Angle	Lumen output	CCT
ULSLNI73630	7W	36°	630lm	3000K
ULSLNI103630	10W	36°	900lm	3000K



### Color finish options

Textured White  
ULDLNI $xx$  $yy$  $zz$ -TW

Textured Black  
ULDLNI $xx$  $yy$  $zz$ -TB



- $xx$  = selection of wattage
- $yy$  = selection of beam angle
- $zz$  = selection of color temperature

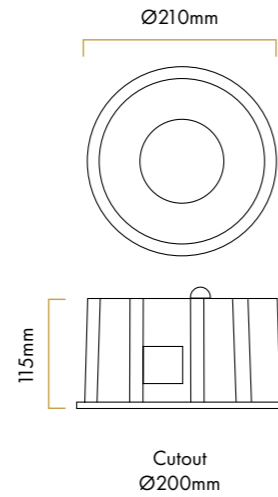
# Tolosa

## Anti-glare recessed LED downlight

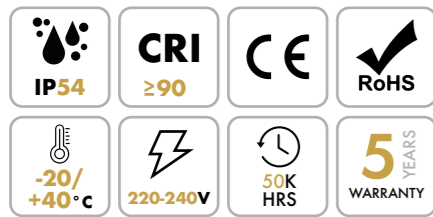
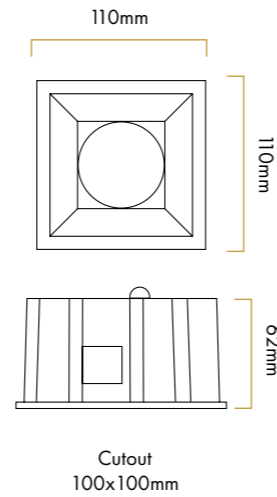
Diecast aluminium body in round/square shape with high quality anti-glare reflector



Round version



Square version



Colors



### Features

Round or Square shape options available

COB with high-quality anti-glare reflector for maximum efficiency

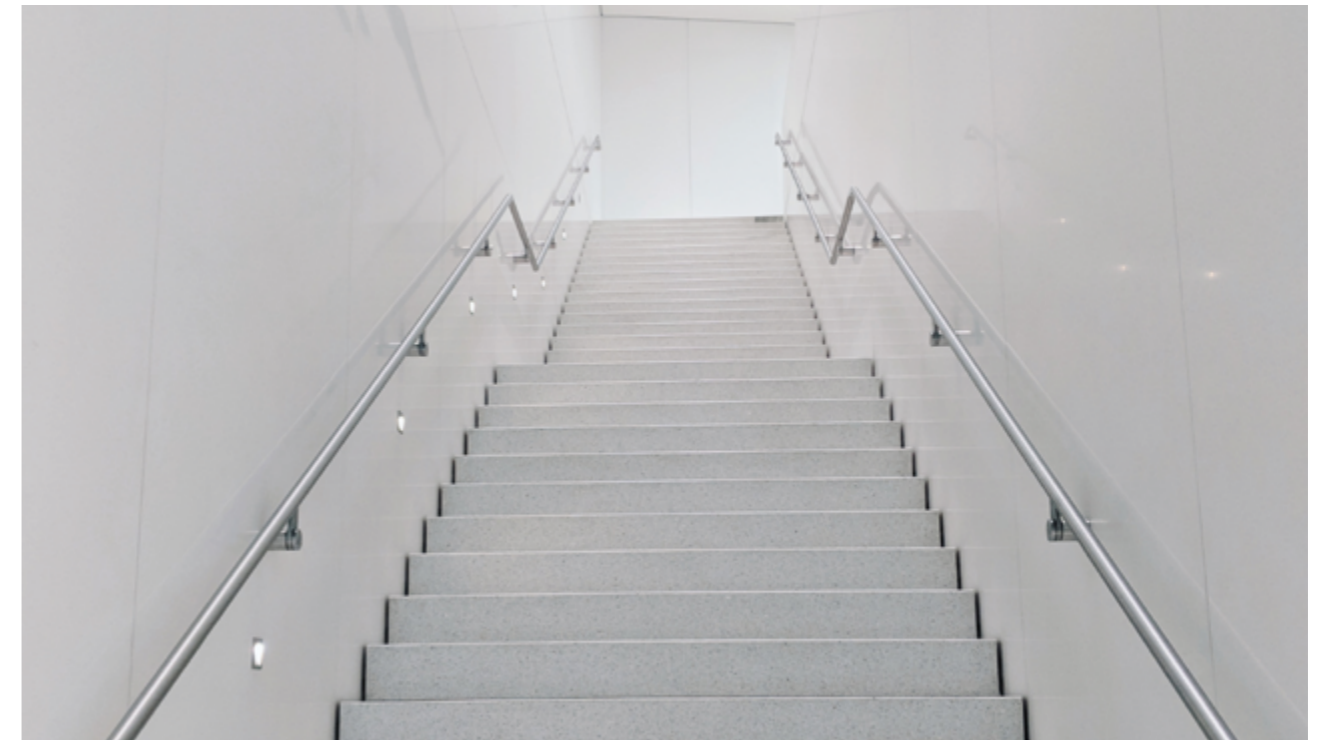
Beam Angle 36° | 55°

CCT: 2700K | 3000K | 4000K | 5000K

CRI 80 available on request

0-10V/DALI dimming options available on request

Code	Wattage	Beam Angle	Lumen output	CCT	Shape	Outer Dia	Cut out Dia
ULDLOI25530R	12W	55°	1500lm	3000K	Round	Ø160 mm	Ø150 mm
ULDLO225530R	22W	55°	2200lm	3000K	Round	Ø160 mm	Ø150 mm
ULDLO285530R	28W	55°	2800lm	3000K	Round	Ø160mm	Ø150 mm
ULDLO325530R	32W	55°	3200lm	3000K	Round	Ø210 mm	Ø200 mm
ULDLO415530R	41W	55°	4100lm	3000K	Round	Ø210 mm	Ø200 mm
ULDLO505530R	50W	55°	5000lm	3000K	Round	Ø210 mm	Ø200 mm
ULDLOI25530S	12W	55°	1200lm	3000K	Square	110x110 mm	100 mm
ULDLOI55530S	15W	55°	1500lm	3000K	Square	110x110 mm	100 mm
ULDLO225530S	22W	55°	2200lm	3000K	Square	110x110 mm	100 mm



### Color finish options

Matt White  
ULDLOxxyyzzA-MW

Matt Black  
ULDLOxxyyzzA-MB

### Optional versions

0-10V dimming  
ULDLOxxyyzzA-MW\_010

DALI dimming  
ULDLOxxyyzzA-MW\_DALI

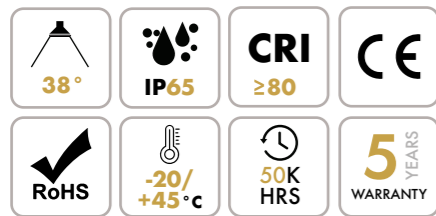
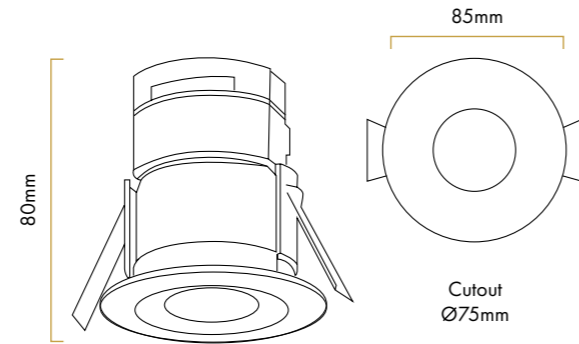


- xx = selection of wattage
- yy = selection of beam angle
- zz = selection of color temperature
- A = selection of shape

# Ciara

## Dimmable integrated SMD fire rated spotlight

Die-cast aluminium body and heat sink with interchangeable bezel and CCT switch



### Colors



### Features

90% more power saving compared to conventional incandescent light bulbs

Dimming Range: 5% to 100% (Phase dimming)

30/60/90 mins I-Joist fire rating approval by SGS with BS 476-21 for various applications

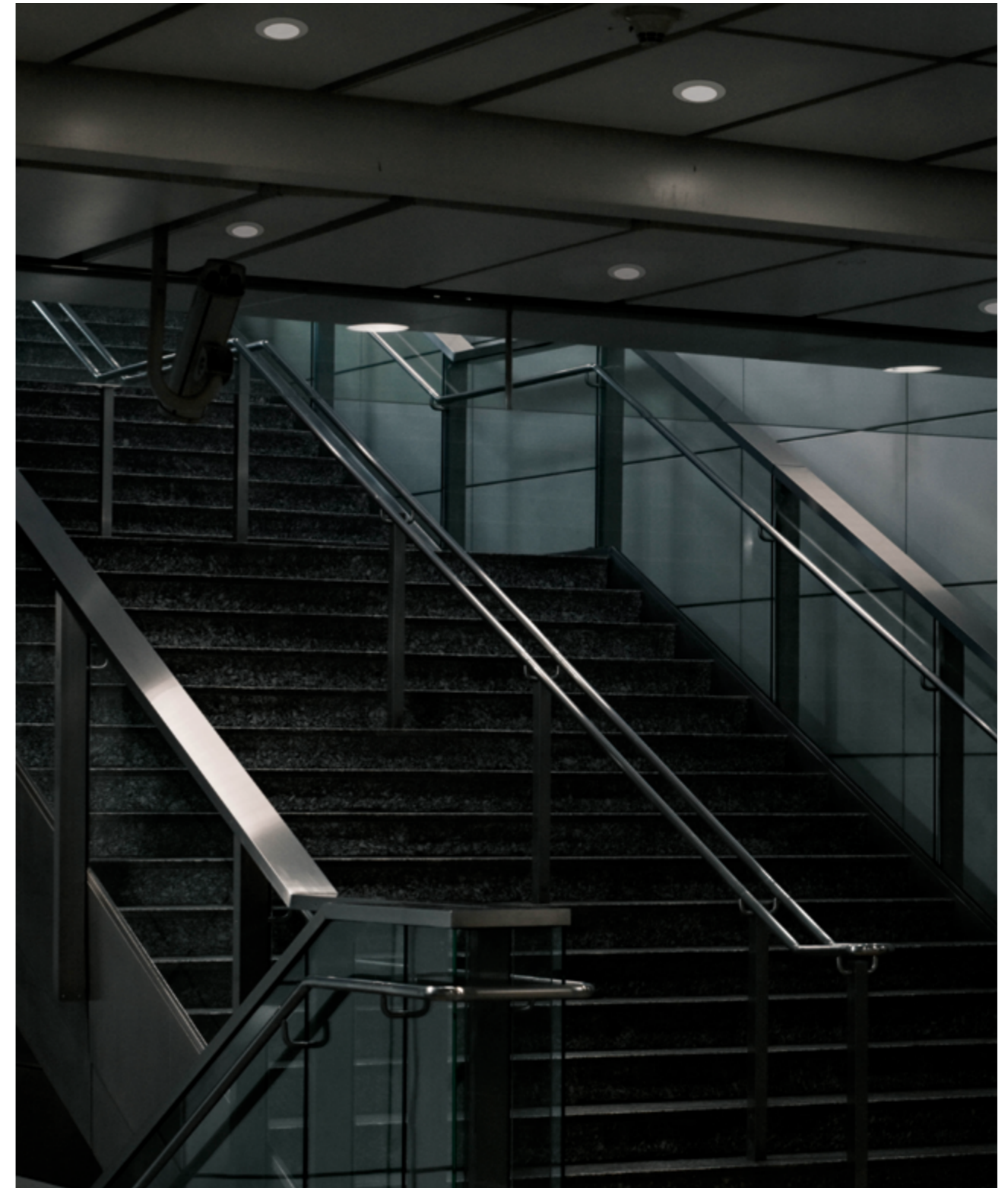
CCT: 4000K standard; 3000K | 5700K available on request

No hazardous substances like Hg, Pb and UV

Epoxy encapsulation provides good heat dissipation

Color temperature can be chosen by the switch on the driver

Code	Wattage	CCT	Lumen output
ULFRCI640	6W	4000K	600lm
ULFRCI840	8W	4000K	800lm



### Color finish options

Black  
ULFRCI $xyy$ -BL

White  
ULFRCI $xyy$ -WH

Brushed nickel  
ULFRCI $xyy$ -BN

Chrome  
ULFRCI $xyy$ -CR

Polished chrome  
ULFRCI $xyy$ -PC



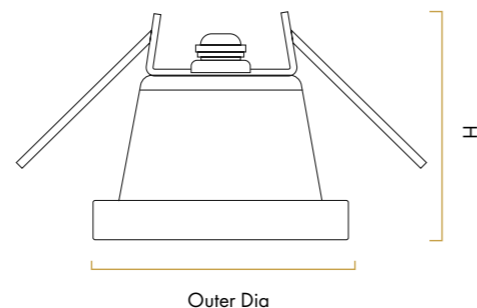
$xy$  = selection of wattage

$yy$  = selection of color temperature

# Zara

## LED ceiling recessed downlight

Aluminium body with high quality PMMA diffuser



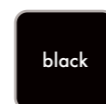
UNOLUMEN®



Standard color



Colors on request



### Features

Aluminium housing and heat sink

PMMA diffuser with opal/micropism+foil optics

CRI>90 available on request

Cut-out dia: Ø170mm and Ø225mm

CCT: 3000K | 4000K | 5000K

IP65 ingress protection on the front; IP20 on the back

No UV rays/Infrared radiation

Standard On/off control; DALI/Push Dim on request

Code	Wattage	CCT	Lumen output
UDDLZA1530	15W	3000K	1680lm
UDDLZA1540	15W	4000K	1850lm
UDDLZA1550	15W	5000K	2000lm
UDDLZA1930	19W	3000K	2090lm
UDDLZA1940	19W	4000K	2300lm
UDDLZA1950	19W	5000K	2420lm
UDDLZA2030	20W	3000K	2270lm
UDDLZA2040	20W	4000K	2500lm
UDDLZA2050	20W	5000K	2750lm
UDDLZA2430	24W	3000K	2630lm
UDDLZA2440	24W	4000K	2900lm
UDDLZA2450	24W	5000K	3200lm

### Physical dimensions

Wattage	Outer Dia	Cut-out Dia	Height
15W	Ø170 mm	Ø150 mm	85 mm
17W	Ø170 mm	Ø150 mm	85 mm
20W	Ø225 mm	Ø205 mm	70 mm
24W	Ø225 mm	Ø205 mm	70 mm

### Optional versions

#### Color finish options

White  
UDDLZAxxyyzzW

Black  
UDDLZAxxyyzzB

Grey  
UDDLZAxxyyzzG

Opal diffuser  
UDDLZAxxyyOP

Micropismatic + Foil diffuser  
UDDLZAxxyyPR

DALI dimming  
UDDLZAxxyyzz-DALI

Push dimming  
UDDLZAxxyyzz-PUSH



**xx** = selection of wattage

**yy** = selection of color temperature

**zz** = selection of diffuser



Zara



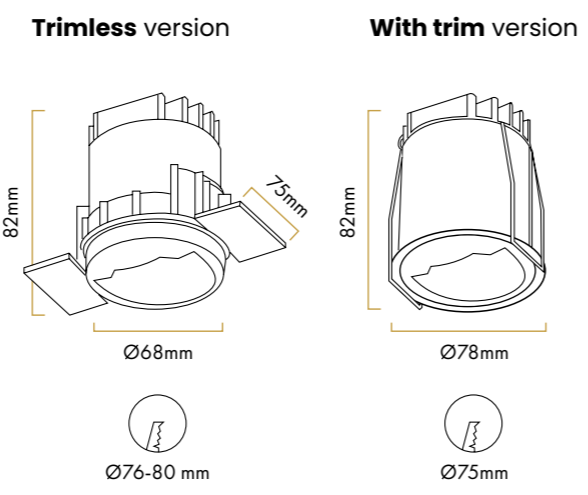


UNOLUMEN®

# Valencia

LED wall washer light

13W dimmable, non-adjustable recessed spotlight with trim/trimless options



- 36°
- IP20
- CRI ≥ 90
- CE
- RoHS
- 20/+40°C
- Input Current 350mA DC
- 40K HRS
- 5 YEARS WARRANTY

Colors

- textured white
- textured black

Reflector color options

- chrome plated
- black chrome

## Features

- Aluminium alloy material
- Color finish: Textured white/textured black finish
- Reflector in Chrome Plating/Black Chrome with PC cover
- CCT: 2700K | 3000K | 4000K
- Requires remote LED power supply

Code	Wattage	Lumen output	CCT	Trim	Dimensions (DiaxH)	Cut out
ULWWVA1330	13W	1020lm	3000K	trimless	Ø75x82 mm	Ø68 mm
ULWWVA1330TR	13W	1020lm	3000K	with trim	Ø78x82 mm	Ø78 mm



## Color finish options

- Textured White  
ULWWVA13yyTW
- Textured Black  
ULWWVA13yyTB

## Reflector color options

- Chrome Plated reflector  
ULWWVA13yyzz-CP
- Black Chrome reflector  
ULWWVA13yyzz-BC

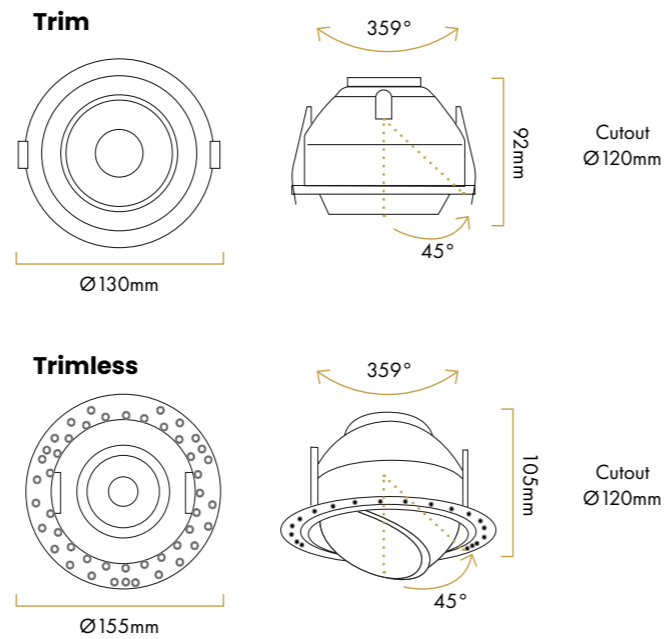


yy = selection of color temperature  
 zz = selection of color finish

# Graz

## IP20 LED circular adjustable downlight

Diecast aluminium body with high quality reflector



38°	IP20	CRI ≥90	CE	RoHS
-20/+40°C	220-240V	50K HRS	5 YEARS WARRANTY	

Colors



### Features

Rotates through 350° and has a 45° tilt

Beam Angle 15° | 24° | 38° | 60°

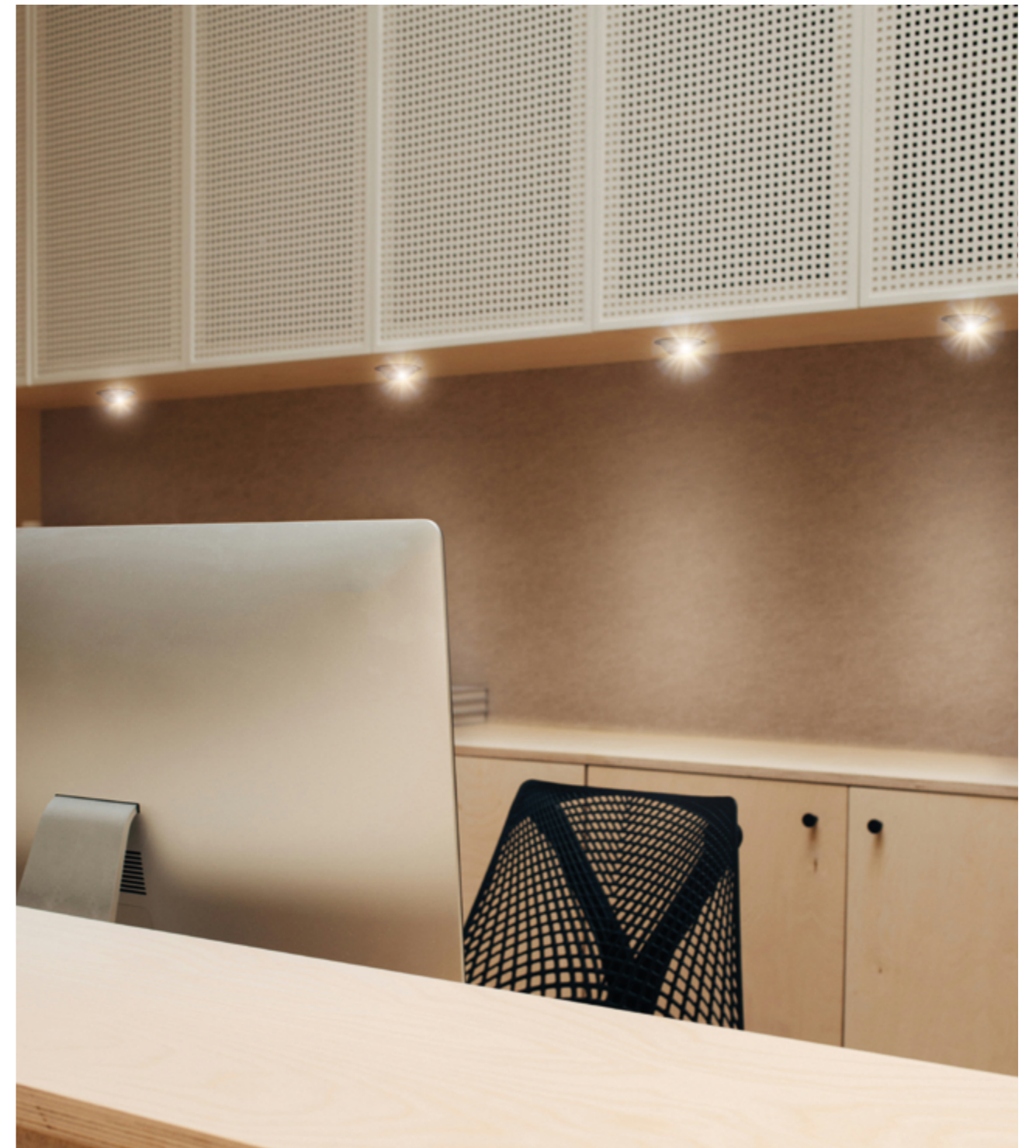
CCT: 3000K | 4000K | 5000K

With trim or trimless options available

Non-dimmable, flicker-free remote driver

1-10V/ Dali dimming options available on request

Code	Wattage	Lumen output	Trim	Beam angle	Outer dia	CCT
ULDLGR153830	15W	1500lm	trimless	38°	Ø155 mm	3000K
ULDLGR153830TR	15W	1500lm	with trim	38°	Ø130 mm	3000K



### Color finish options

Matt White  
ULWWGR15yyzz-MW

Matt Black  
ULWWGR15yyzz-MB

### Optional versions

1-10V dimming  
ULWWGR15yyzz-110

DALI dimming  
ULWWGR15yyzz-DALI



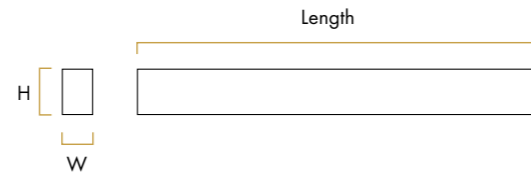
yy = selection of beam angle

zz = selection of color temperature

# Penza

## IP20 LED linear profile light

Suitable for surface or pendant mounting in various lengths



Standard color



Colors on request



### Features

Aluminium housing with opal PMMA diffuser

Microprismatic diffuser on request

Mounting: Surface or Pendant; Pendant Direct-Indirect on request

CCT: 4000K standard; 3000K | 5000K available on request

CRI ≥ 90 on request

Available in three dimensions: 36x67mm, 50x75mm and 70x100mm

Available in various lengths: 580mm, 1140mm, 1420mm and 1700mm

No Infrared radiation, no UV rays

Can be easily programmed and controlled

External on/off control; DALI | Push Dim or Remote emergency packs on request

Code	Wattage	CCT	Lumen output	Dimensions (WxH)	Length
ULLPPE1540OP01	15W	4000K	1700lm	36 x 67 mm	580mm
ULLPPE2840OP01	28W	4000K	3100lm	36 x 67 mm	1140mm
ULLPPE3540OP01	35W	4000K	4000lm	36 x 67 mm	1420mm
ULLPPE4240OP01	42W	4000K	4800lm	36 x 67 mm	1700mm
ULLPPE1540OP02	15W	4000K	1650lm	50 x 75 mm	580mm
ULLPPE3540OP02	35W	4000K	3850lm	50 x 75 mm	1140mm
ULLPPE4540OP02	45W	4000K	4950lm	50 x 75 mm	1420mm
ULLPPE5540OP02	55W	4000K	6050lm	50 x 75 mm	1700mm
ULLPPE2040OP03	20W	4000K	2200lm	70 x 100 mm	580mm
ULLPPE4340OP03	43W	4000K	4750lm	70 x 100 mm	1140mm
ULLPPE5440OP03	54W	4000K	5940lm	70 x 100 mm	1420mm
ULLPPE6540OP03	65W	4000K	7150lm	70 x 100 mm	1700mm

### Optional versions

DALI dimming  
ULLPPE $xxyyzzAA$ -DALI

Push Dimming  
ULLPPE $xxyyzzAA$ -PUSH

Remote emergency pack  
ULLPPE $xxyyzzAA$ -EM

Opal diffuser  
ULLPPE $xxyyOPAA$

Microprismatic  
ULLPPE $xxyyMPAA$

CRI ≥ 90  
ULLPPE $xxyyzzAA$ -CRI90

### Color finish options

Black  
ULLPPE $xxyyzzAA$ -BK

Grey  
ULLPPE $xxyyzzAA$ -GR

White  
ULLPPE $xxyyzzAA$ -WH

### Accessories

Pendant Mount  
ULLPPE $xxyyzzAA$ -PM1

Pendant Direct/Indirect  
ULLPPE $xxyyzzAA$ -PM2



- xx** = selection of wattage
- yy** = selection of color temperature
- zz** = selection of diffuser
- AA** = selection of dimension

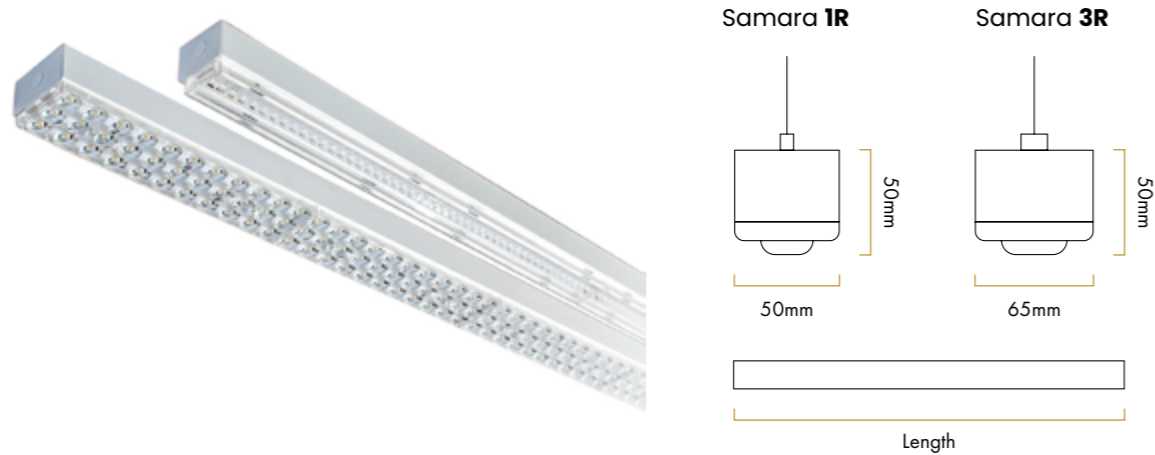


**Penza**

# Samara

## Linear LED lighting system

up to 150lm/W efficiency with various beam options, ideal for single or continuous-row line mounting



### Features

Aluminium housing and heat sink

Power: 28W to 72W

Mounting: Surface in line/Suspension in line/Track adaptor

Diffuser: 30° | 60° | 90° | 110° lenses; Diffused, Symmetric or Aymmetric optics available on request

Length: 1Row in Line (1R\*) - 1200mm/1500mm/1700mm;  
3Rows in Line (3R\*) - 1200mm/1500mm/1700mm

CCT: 4000K standard; 3000K | 5000K available on request

CRI ≥ 90 on request

IP54 & IP65 on request

External on/off Electronic control gear; DALI/ Push Dim (on request)

Motion sensor, Daylight sensor or emergency version available on request

Note: 1R & 3R is a continuous-row LED lighting system for perfect integration in line mounting

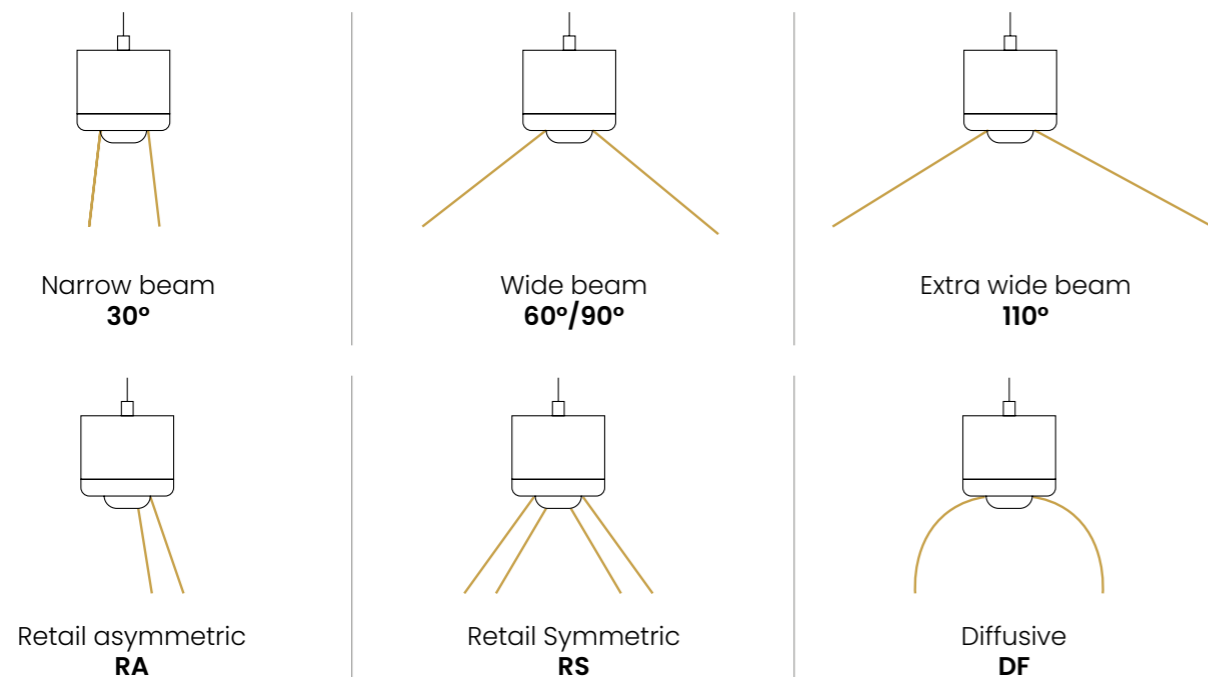
### Samara 1R

Code	Wattage	CCT	Optics	Lumen output	Length
ULRLSA2830__1R	28W	3000K	30°/60°/90°/110°	4100lm	1200 mm
ULRLSA2840__1R	28W	4000K	30°/60°/90°/110°	4500lm	1200 mm
ULRLSA2850__1R	28W	5000K	30°/60°/90°/110°	4950lm	1200 mm
ULRLSA3430__1R	34W	3000K	30°/60°/90°/110°	4800lm	1200 mm
ULRLSA3440__1R	34W	4000K	30°/60°/90°/110°	5300lm	1200 mm
ULRLSA3450__1R	34W	5000K	30°/60°/90°/110°	5800lm	1200mm
ULRLSA4230__1R	42W	3000K	30°/60°/90°/110°	6000lm	1500 mm
ULRLSA4240__1R	42W	4000K	30°/60°/90°/110°	6600lm	1500 mm
ULRLSA4250__1R	42W	5000K	30°/60°/90°/110°	7250lm	1500 mm
ULRLSA5030__1R	50W	3000K	30°/60°/90°/110°	7200lm	1700 mm
ULRLSA5040__1R	50W	4000K	30°/60°/90°/110°	7900lm	1700 mm
ULRLSA5050__1R	50W	5000K	30°/60°/90°/110°	8700lm	1700 mm
ULRLSA6030__1R	60W	3000K	30°/60°/90°/110°	8200lm	1700 mm
ULRLSA6040__1R	60W	4000K	30°/60°/90°/110°	9050lm	1700 mm
ULRLSA6050__1R	60W	5000K	30°/60°/90°/110°	9900lm	1700 mm

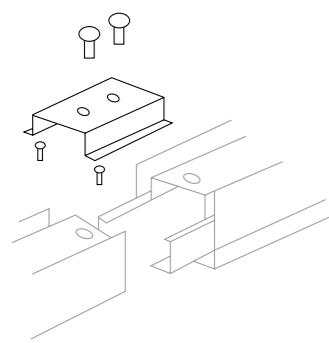
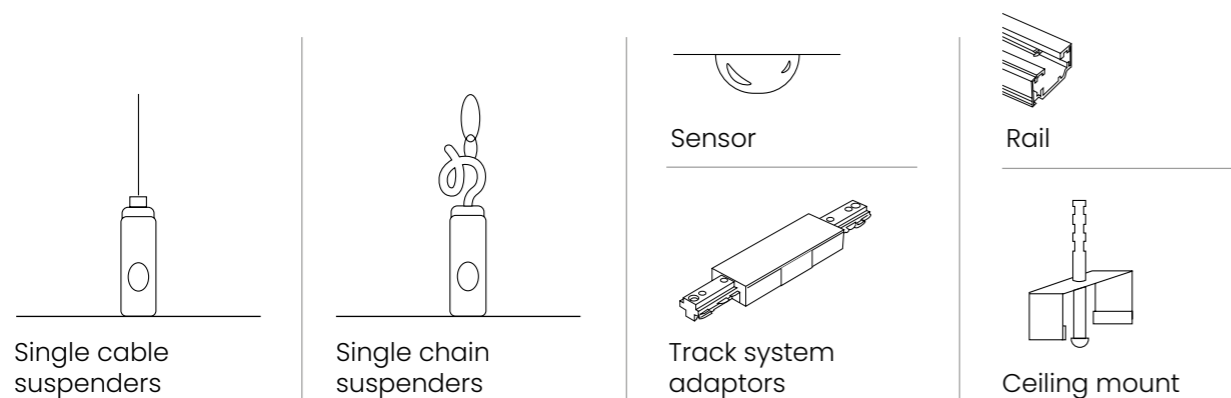
### Samara 3R

Code	Wattage	CCT	Optics	Lumen output	Length
ULRLSA4730__3R	47W	3000K	30°/60°/90°/110°	6450lm	1200 mm
ULRLSA4740__3R	47W	4000K	30°/60°/90°/110°	7100lm	1200 mm
ULRLSA4750__3R	47W	5000K	30°/60°/90°/110°	7800lm	1200 mm
ULRLSA5830__3R	58W	3000K	30°/60°/90°/110°	81500lm	1500 mm
ULRLSA5840__3R	58W	4000K	30°/60°/90°/110°	8950lm	1500 mm
ULRLSA5840__3R	58W	5000K	30°/60°/90°/110°	9850lm	1500 mm
ULRLSA7230__3R	72W	3000K	30°/60°/90°/110°	9700lm	1700 mm
ULRLSA7240__3R	72W	4000K	30°/60°/90°/110°	10700lm	1700 mm
ULRLSA7250__3R	72W	5000K	30°/60°/90°/110°	11750lm	1700 mm

Types of lens



Mounting option



Middle connection

Accessories

Single cable suspenders 1.5m (2 pcs per fitting)	SCa
Single chain suspenders 1.5m (2 pcs per fitting)	SCh
Rail connection	RC
Motion sensor	MS
Daylight sensor	DS
Track system adaptors	TS
Ceiling mounting	CM



Optional versions

CRI≥90 ULPLOSxxyyzzAA-CRI90	Push Dimming ULRLSaxxyzzAA-PUSH
DALI dimming ULRLSaxxyzzAA-DALI	Remote emergency pack ULRLSaxxyzzAA-EM



- xx = selection of wattage
- yy = selection of color temperature
- zz = selection of optics
- AA = number of rows (1R/3R)



[www.unolumen.com](http://www.unolumen.com)

Indoor lighting

## series **NORA**

UNOLUMEN

NORA series of LED strip lights and Neon Flex lights provide superior homogeneous light distribution.

Striplights are available in 4,8W/m, 9,6W/m, 14,4W/m

Neon flex strips are available in 6W/m, 9W/m, 21W/m and 14,4W/m

Lumen efficacy of up to 100lm/W

High quality SMD 2835 LED chips with various monochromatic and color changing options

MacADAM 3 step binning process

Lifespan up to 50.000 hours at L70

Available in IP20/ IP66/ IP68

24V DC striplights suitable for various dimming options

### APPLICATION AREAS

Suitable for general indoor and outdoor ambience lighting applications like accent/cove lighting, facade/floor lighting, horizontal guide and signage lighting, contour/border lighting, decorative/architectural lighting, yacht and luxury Cruise.

[www.unolumen.com](http://www.unolumen.com)

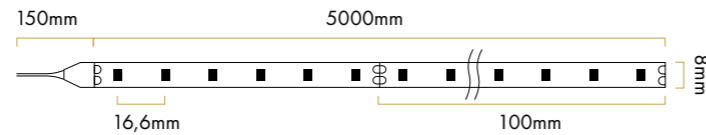
# Nora 1

4.8W/m Flexible LED striplights

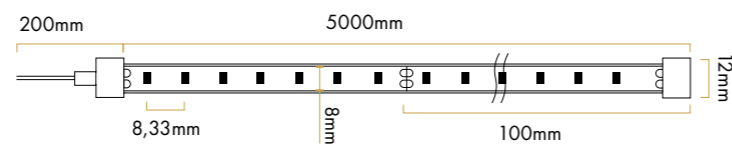
Effortless homogeneous illumination ideal for ambient lighting



IP20 version



IP68 version



120°	IP20/ IP68	CRI 90+	CE	RoHS	No. of LEDs/m 60	Light source SMD2835
SDCM <3	LM80	-20/ +40°C	50K HRS	5 YEARS WARRANTY		

## Features

8mm white PCB durable, flexible LED tape lights for endless possibilities

Diffused, continuous accent lighting effect makes it perfect for illuminating shelves, worktops, storage units, etc

CCT: 2700K | 3000K | 4000K | 6500K

4,8W/m, 24VDC LED striplights in IP20 are suitable for all types of indoor applications

IP68 option with silicon tube + silicon glue makes it an ideal choice for areas that need splash-proof and waterproof resistance

Code	Wattage	Dimension	Lumen efficiency	CCT	IP rating
ULSTNOI2720	4,8W/m	5 mtrs/ roll	480 lm/m	2700K	IP20
ULSTNOI3020	4,8W/m	5 mtrs/ roll	480 lm/m	3000K	IP20
ULSTNOI4020	4,8W/m	5 mtrs/ roll	480 lm/m	4000K	IP20
ULSTNOI6520	4,8W/m	5 mtrs/ roll	480 lm/m	6500K	IP20
ULSTNOI2768	4,8W/m	5 mtrs/ roll	408 lm/m	2700K	IP68
ULSTNOI3068	4,8W/m	5 mtrs/ roll	408 lm/m	3000K	IP68
ULSTNOI4068	4,8W/m	5 mtrs/ roll	408 lm/m	4000K	IP68
ULSTNOI6568	4,8W/m	5 mtrs/ roll	408 lm/m	6500K	IP68





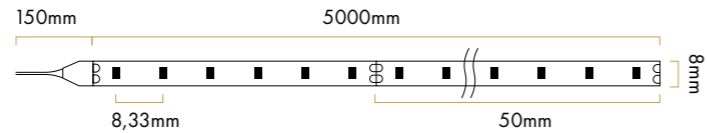
# Nora 2

9.6W/m Flexible LED striplights

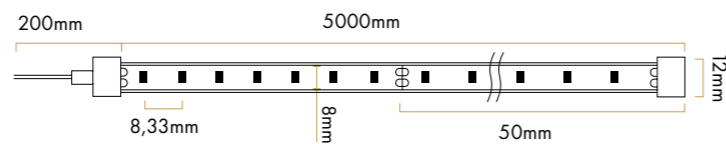
Effortless homogeneous illumination for ambient lighting



IP20 version



IP68 version



120°	IP20/ IP68	CRI 90+	CE	RoHS	No. of LEDs/m 120	Light source SMD2835
SDCM <3	LM80	-20/ +40°C	50K HRS	5 YEARS WARRANTY		

## Features

8mm white PCB, durable, flexible LED tape lights for endless possibilities

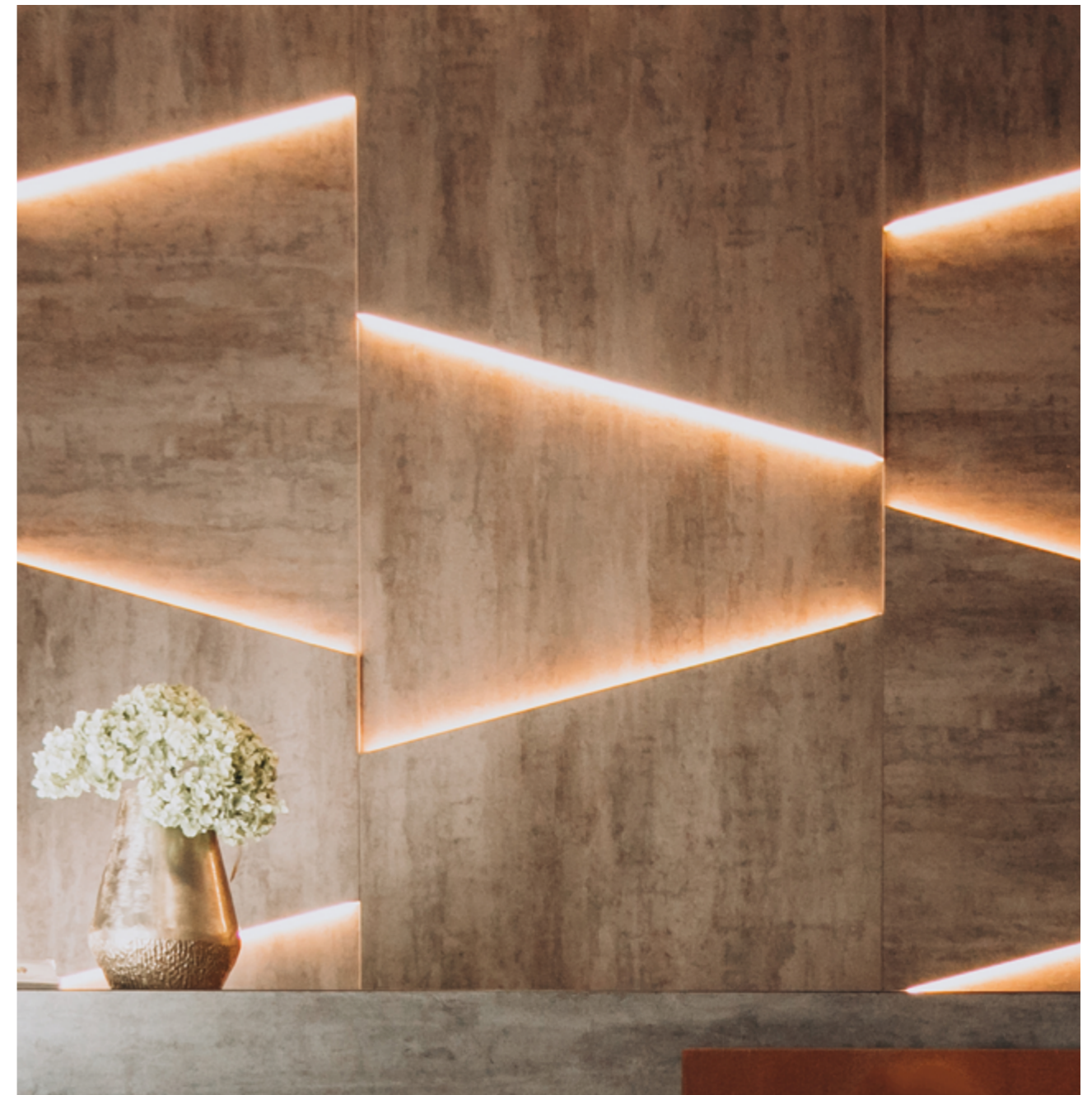
Diffused, continuous accent lighting effect makes it perfect for illuminating shelves, worktops, storage units, etc.

CCT: 2700K | 3000K | 4000K | 6500K

9,6W/m, 24VDC LED striplights in IP20 is suitable for all types of indoor applications

IP68 option with silicon tube + silicon glue makes it an ideal choice for areas that need splash-proof and waterproof resistance

Code	Wattage	Dimension	Lumen efficiency	CCT	IP rating
ULSTNO22720	9,6W/m	5 mtrs/ roll	960 lm/m	2700K	IP20
ULSTNO23020	9,6W/m	5 mtrs/ roll	960 lm/m	3000K	IP20
ULSTNO24020	9,6W/m	5 mtrs/ roll	960 lm/m	4000K	IP20
ULSTNO26520	9,6W/m	5 mtrs/ roll	960 lm/m	6500K	IP20
ULSTNO22768	9,6W/m	5 mtrs/ roll	816 lm/m	2700K	IP68
ULSTNO23068	9,6W/m	5 mtrs/ roll	816 lm/m	3000K	IP68
ULSTNO24068	9,6W/m	5 mtrs/ roll	816 lm/m	4000K	IP68
ULSTNO26568	9,6W/m	5 mtrs/ roll	816 lm/m	6500K	IP68



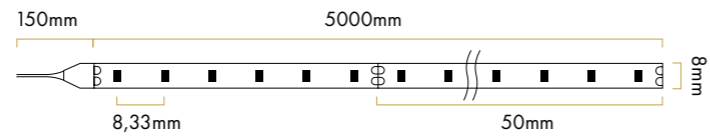
# Nora 3

14.4W/m Flexible LED striplights

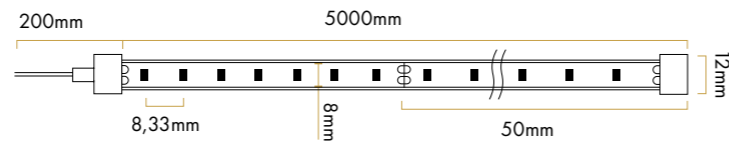
Effortless homogeneous illumination for ambient lighting
















### IP20 version



### IP68 version



 120°	 IP20/ IP68	 CRI 90+	 CE	 RoHS	 No. of LEDs/m 120	 Light source SMD2835
 SDCM <3	 LM80		 -20/ +40°C	 50K HRS	 5 YEARS WARRANTY	

## Features

8mm white PCB, durable, flexible LED tape lights for endless possibilities

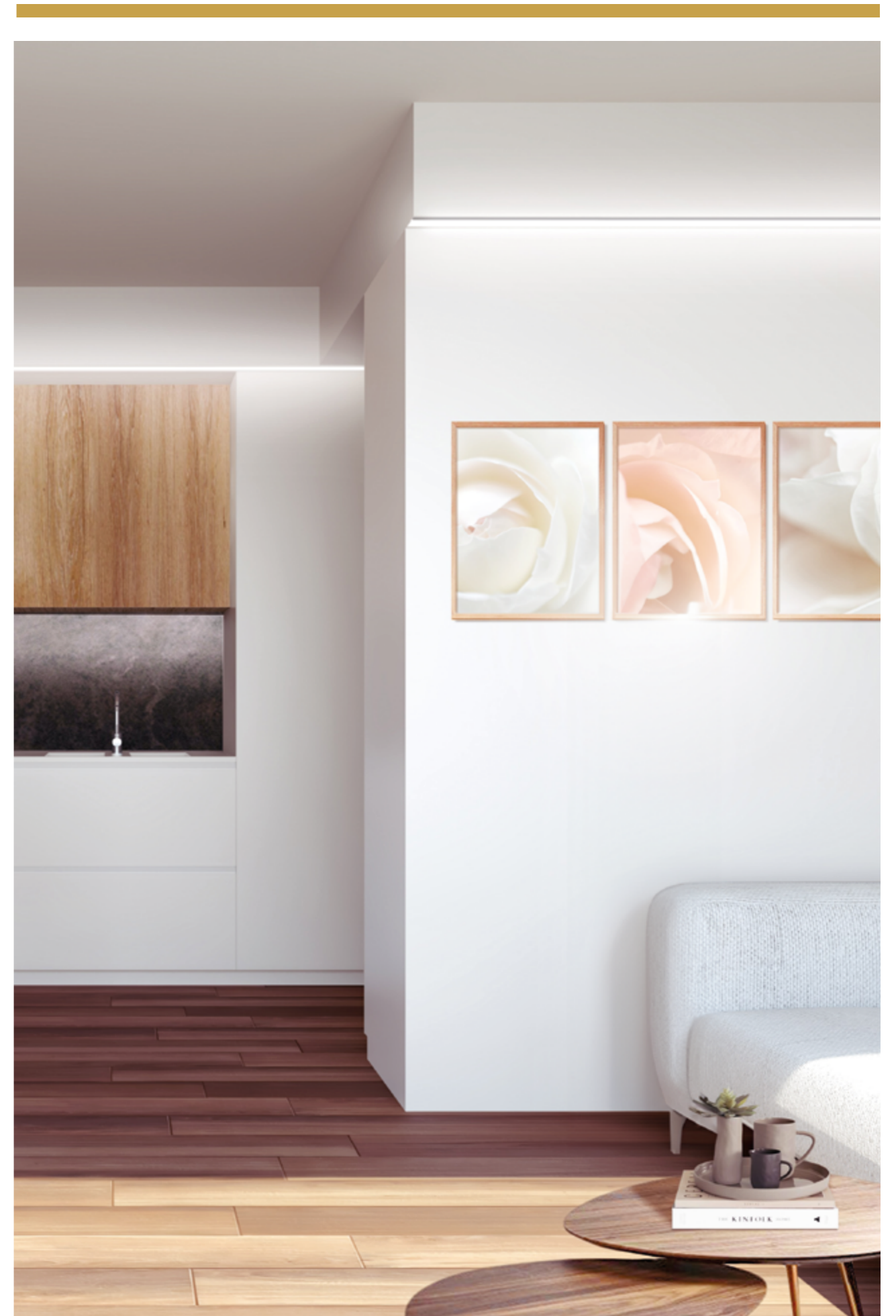
Diffused, continuous accent lighting effect makes it perfect for illuminating shelves, worktops, storage units, etc,...

CCT: 2700K | 3000K | 4000K | 6500K

14,4W/m, 24VDC LED striplights in IP20 are suitable for all types of indoor applications

IP68 option with silicon tube + silicon glue makes it an ideal choice for areas that need splash-proof and waterproof resistance

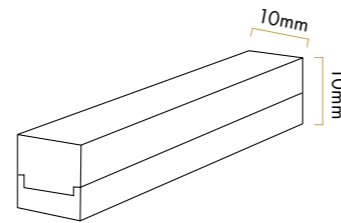
Code	Wattage	Dimension	Lumen efficiency	CCT	IP rating
ULSTNO32720	14,4W/m	5 mtrs/ roll	1440 lm/m	2700K	IP20
ULSTNO33020	14,4W/m	5 mtrs/ roll	1440 lm/m	3000K	IP20
ULSTNO34020	14,4W/m	5 mtrs/ roll	1440 lm/m	4000K	IP20
ULSTNO36520	14,4W/m	5 mtrs/ roll	1440 lm/m	6500K	IP20
ULSTNO32768	14,4W/m	5 mtrs/ roll	1224 lm/m	2700K	IP68
ULSTNO33068	14,4W/m	5 mtrs/ roll	1224 lm/m	3000K	IP68
ULSTNO34068	14,4W/m	5 mtrs/ roll	1224 lm/m	4000K	IP68
ULSTNO36568	14,4W/m	5 mtrs/ roll	1224 lm/m	6500K	IP68



# Nora 4

## 6W/m Crystal clear flexible LED linear lighting

Neon Flex strips with seamless illumination and uniform light distribution



NOTE: Allowable tolerance is ±0.3mm (unless otherwise specified)

120°	IP66	CRI 80+	CE	RoHS	No. of LEDs/m 168
Light source SMD2835	MacAdam SDCM 3	-20/+50°C	50K HRS	5 YEARS WARRANTY	

### Features

The most flexible LED Neon Flex made with hollow silicon tube design and silicon material

Superior quality and brightness with SMD LED chips

Mass lighting area thanks to the dimension with smooth and flat surface of the Neon flex

IP66 protection rating with silicon tube technology

Easy installation and assembly with DIY accessories

Invisible light dots & colour tolerance within 3-steps MacAdam (3 SDCM)

Minimum bending diameter of 50mm ensures greater flexibility

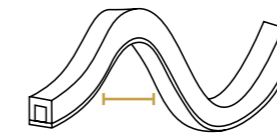
UV & flame resistant construction

Continuous length of up to 15m (R,A)/ 10m (G,B,W) by powering one end

Choice of 2700K | 3000K | 4000K | 6000K | Red | Green | Blue color



Face to the light surface, fold the strip, the minimum bending diameter is 50mm.



Light surface upwards, the strip is bendable to right or left naturally, the minimum bending diameter is 80mm.



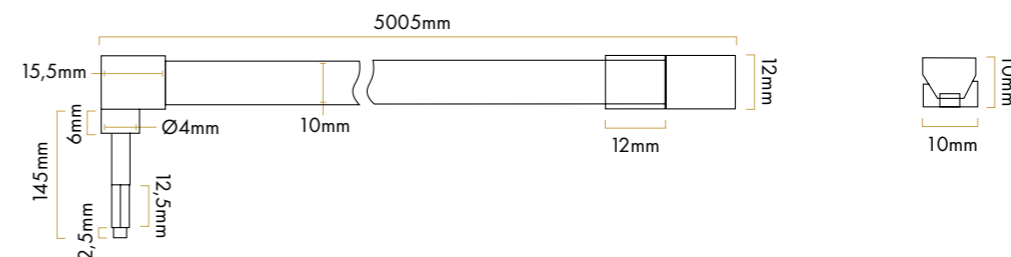
The minimum cut length is 50mm.

NOTE: The light can only be bent laterally (i.e., opposite bend along the light surface) Do not bend more than the allowable bending diameter.

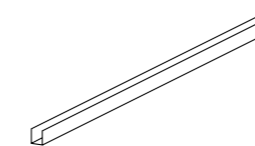
Code	Wattage	Dimension	Lumen efficiency	CCT	IP rating
ULNFNO42766	6W/m	5 mtrs	>300 lm/m	2700K	IP66
ULNFNO43066	6W/m	5 mtrs	>330 lm/m	3000K	IP66
ULNFNO44066	6W/m	5 mtrs	>330 lm/m	4000K	IP66
ULNFNO46566	6W/m	5 mtrs	>350 lm/m	6500K	IP66
ULNFNO4R66	6W/m	5 mtrs	>100 lm/m	Red	IP66
ULNFNO4G66	6W/m	5 mtrs	>200 lm/m	Green	IP66
ULNFNO4B66	6W/m	5 mtrs	>35 lm/m	Blue	IP66

### Types of connector (DIY)

NOTE: Allowable tolerance in length is ±0.5mm (unless otherwise specified)



### DIY Accessories



Aluminium Mounting Profile

NOTE: Allowable tolerance in length is ±0.5mm (unless otherwise specified)

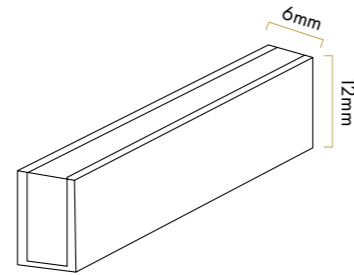


| **Nora 4**

# Nora 5

9W/m crystal clear flexible LED linear lighting

Neon Flex strips with seamless illumination and uniform light distribution



NOTE: Allowable tolerance is ±0.3mm (unless otherwise specified)

120°	IP66	CRI 80+	CE	RoHS	220-240V
No. of LEDs/m 168	Light source SMD2835	MacAdam SDCM 3	-20/+50°C	50K HRS	5 YEARS WARRANTY

## Features

The most flexible LED Neon Flex made with hollow silicon tube design and silicon material

Almost no bend radius from left to right or upwards to downwards

Superior quality and brightness with SMD LED chips

Produces special narrow illumination (6\*12mm) with it's smooth and flat surface

IP66 protection rating with silicon tube technology

Easy installation and assembly with DIY accessories

Color tolerance within 3-steps MacAdam (3 SDCM)

Minimum bending diameter of 30mm ensures greater flexibility

UV & flame resistant construction

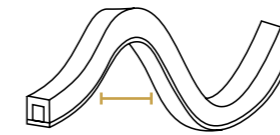
Continuous length of up to 15m (Red)/ 10m (G,B,W) by powering one end.

Choice of 2700K | 3000K | 4000K | 6000K | Red | Green | Blue color

Delivers remarkably fluid color transitions by utilizing DMX and LED dimming technology



Face to the light surface, fold the strip, the minimum bending diameter is 30mm.



Light surface upwards, the strip is bendable to right or left naturally, the minimum bending diameter is 50mm.



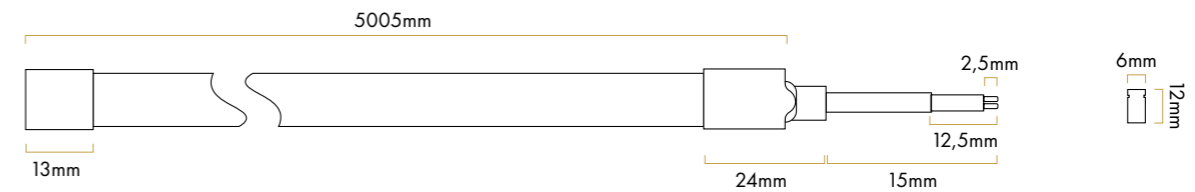
The minimum cut length is 50mm.

NOTE: The light can only be bent laterally (i.e., opposite bend along the light surface) Do not bend more than the allowable bending diameter.

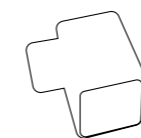
Code	Wattage	Dimension	Lumen efficiency	CCT	IP rating
ULNFNO52766	9W/m	5 mtr	>200 lm/m	2700K	IP66
ULNFNO53066	9W/m	5 mtr	>230 lm/m	3000K	IP66
ULNFNO54066	9W/m	5 mtr	>230 lm/m	4000K	IP66
ULNFNO56566	9W/m	5 mtr	>250 lm/m	6500K	IP66
ULNFNO5R66	9W/m	5 mtr	>100 lm/m	Red	IP66
ULNFNO5G66	9W/m	5 mtr	>200 lm/m	Green	IP66
ULNFNO5B66	9W/m	5 mtr	>35 lm/m	Blue	IP66

## Types of connector (DIY)

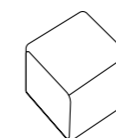
NOTE: Allowable tolerance in length is ±0.5mm (unless otherwise specified)



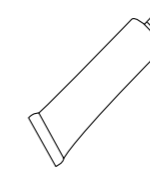
## DIY Accessories



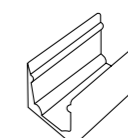
Front connector



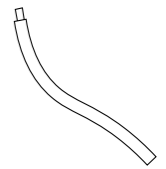
End cap



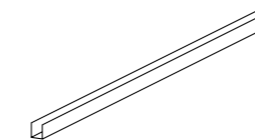
Silicone glue



Aluminum clip



Lead wire



Aluminium Mounting Profile

NOTE: Allowable tolerance in length is ±0.5mm (unless otherwise specified)

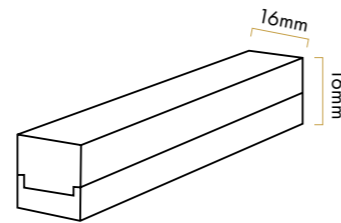


**Nora 5**

# Nora 6

## 12W/m Crystal clear flexible LED linear lighting

Neon Flex strips with seamless illumination and uniform light distribution



NOTE: Allowable tolerance is ±0.3mm (unless otherwise specified)

120°	IP66	CRI 80+	CE	RoHS	-20/+50°C
220-240V	No. of LEDs/m 168	MacAdam SDCM 3	Light source SMD2835	50K HRS	5 YEARS WARRANTY

### Features

The most flexible IP66 rated LED Neon Flex light with complete silicon encapsulation and injection technology

High color consistency and smooth illumination with invisible light dots

Color tolerance within 3-steps MacAdam (3 SDCM)

UV & flame resistant construction

Flexible with 200mm minimum bending diameter

20W/m available on request

Various monochromatic lighting and color changing options

Easy installation and assembly with DIY accessories for joining and termination

Delivers remarkably fluid color transitions by utilizing DMX and LED dimming technology



Face to the light surface, fold the strip, the minimum bending diameter is 200mm.

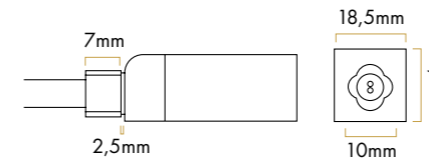


The minimum cut length is 83.3mm.

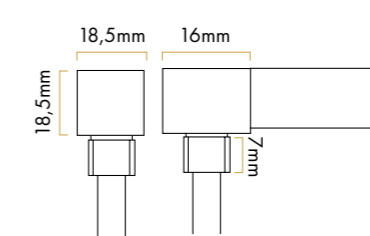
NOTE: The light can only be bent laterally (i.e., opposite bend along the light surface) Do not bend more than the allowable bending diameter.

Code	Wattage	Dimension	LED qty/m	Lumen efficiency	CCT	IP rating
ULNFNO62766	12W/m	5 mtr	140	>600 lm/m	2700K	IP66
ULNFNO63066	12W/m	5 mtr	140	>650 lm/m	3000K	IP66
ULNFNO64066	12W/m	5 mtr	140	>670 lm/m	4000K	IP66
ULNFNO66066	12W/m	5 mtr	140	>680 lm/m	6000K	IP66
ULNFNO6R66	14,4W/m	5 mtr	72	>100 lm/m	Red	IP66
ULNFNO6G66	14,4W/m	5 mtr	72	>200 lm/m	Green	IP66
ULNFNO6B66	14,4W/m	5 mtr	72	>65 lm/m	Blue	IP66
ULNFNO6RGBW66-DMX	14,4W/m	5 mtr	72	>60 lm/m	RGBW	IP66

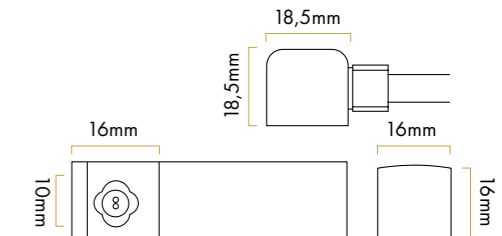
### Types of connector



Direct Feeding Connector

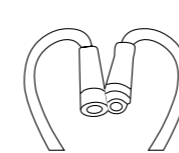


Bottom Feeding Connector

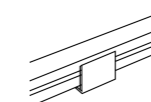


Side Feeding Connector

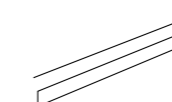
### DIY Accessories



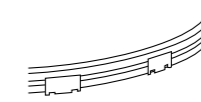
Connectors



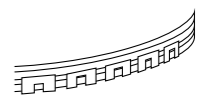
Aluminium bracket



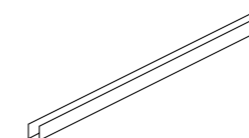
Aluminium profile



Stainless steel bracket



Stainless steel track



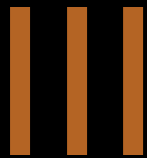
Aluminium Mounting Profile

NOTE: Allowable tolerance in length is ±0.5mm (unless otherwise specified)



**| Nora 6**





UNOLUMEN  
**Outdoor lighting**

Innovative, energy-efficient  
lighting solutions



[www.unolumen.com](http://www.unolumen.com)

Outdoor lighting

## series **BRUNO**

UNOLUMEN

BRUNO series is a range of reliable LED weatherproof luminaires.

Available in 2ft, 4ft and 5ft lengths, suitable for replacement of T5 and T8 fluorescent battens

Option of PC body/PC encapsulated/Stainless steel/GRP construction

Wattages range from 18W-60W with efficacy of up to 140lm/W

Lifespan up to 50.000 hours @L70

IP65/IP66 rated with high impact resistance of IK08

Standard 5 years warranty

Accessories available for suspension mounting

Optional DALI / Motion sensor /emergency versions available

### APPLICATION AREAS

Ideal solution for indoor, semi-outdoor and harsh environments such as workshops, garages, factories, warehouses and parking facilities.

[www.unolumen.com](http://www.unolumen.com)

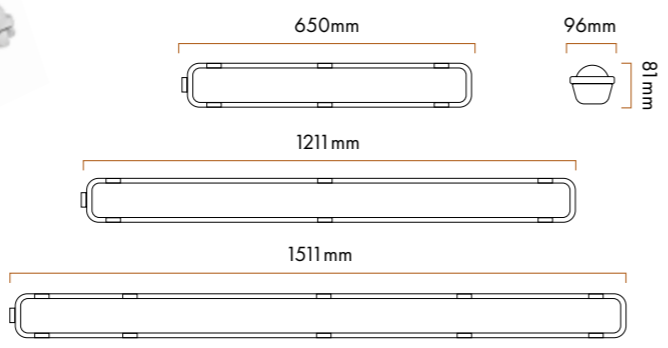


UNOLUMEN®

# Bruno

Commercial weatherproof luminaire

High Impact resistance waterproof luminaires suitable for industrial spaces

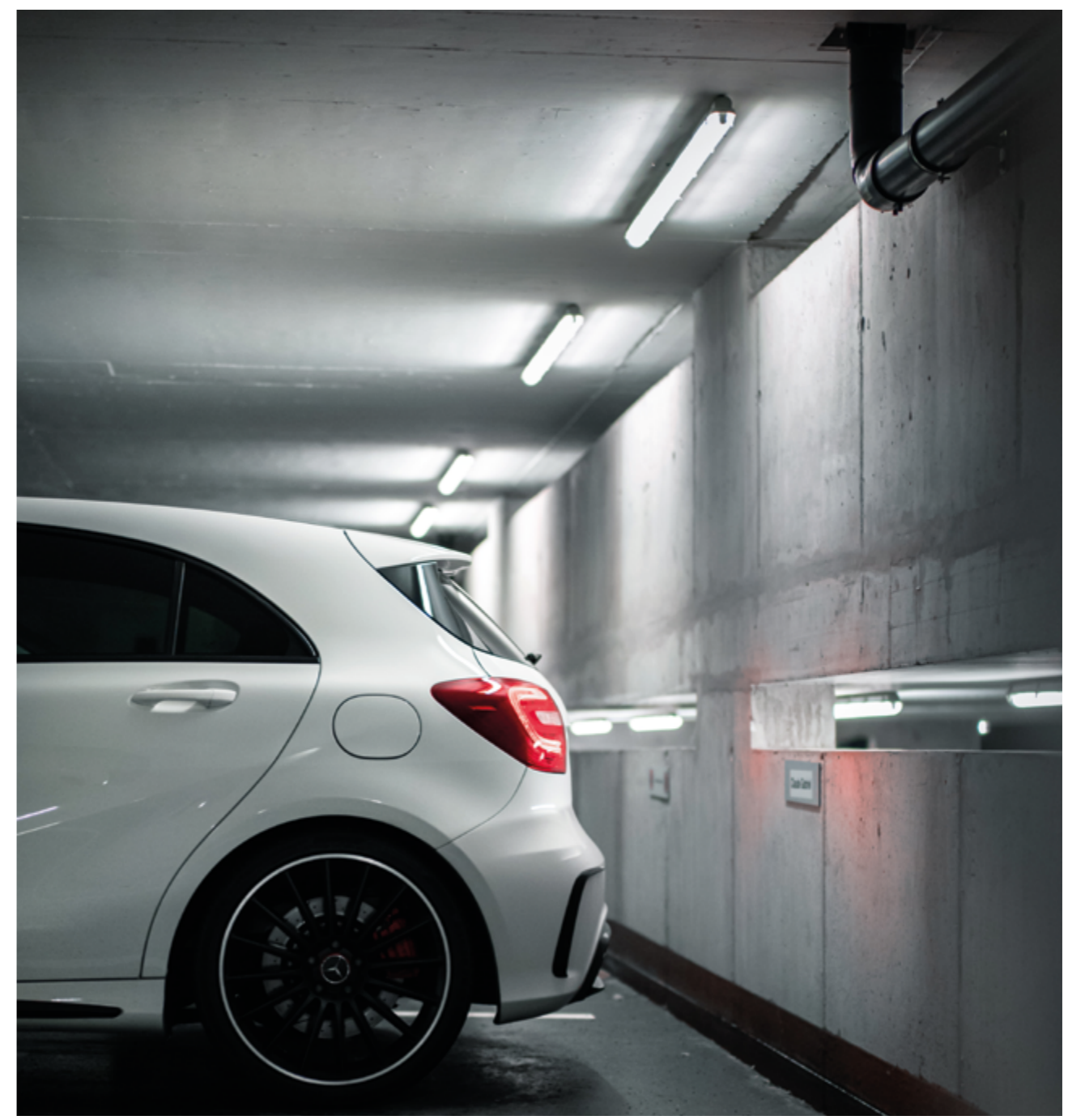


- 120°
- IP66
- CRI > 80
- IK08
- CE
- RoHS
- 20/+40°C
- GLOW WIRE TEST 850°C
- 50K HRS
- 5 YEARS WARRANTY

## Features

- Suitable for Ceiling/Wall mount/Suspended applications
- Polycarbonate housing with PC lens
- Uniform light distribution with 120° lens
- Luminaire efficiency up to 140lm/W
- 304 Stainless steel clips
- 2ft, 4ft, 5ft options available
- 4000K standard; 3000K | 6000K versions on request
- Offered in 18W, 34W, 47W and operate in 220-240VAC, 50-60Hz
- DALI/Motion Sensor and Remote emergency packs available on request

Code	Wattage	Lumen output	CCT	Dimensions (LxWxH)
ULWPBR1840	18W	2520lm	4000K	650x96x81 mm
ULWPBR3440	34W	4760lm	4000K	1211x96x81 mm
ULWPBR4740	47W	6580lm	4000K	1511x96x81 mm



## Optional versions

### Accessories

Suspension Kit  
ULWPBRxxWyyyyCCT-SK

With sensor  
ULWPBRxyy-SR

DALI dimming  
ULWPBRxyy-DALI

Motion Sensor  
ULWPBRxyy-MS

Remote Emergency Pack  
ULWPBRxyy-EM



xx = selection of wattage  
yy = selection of color temperature

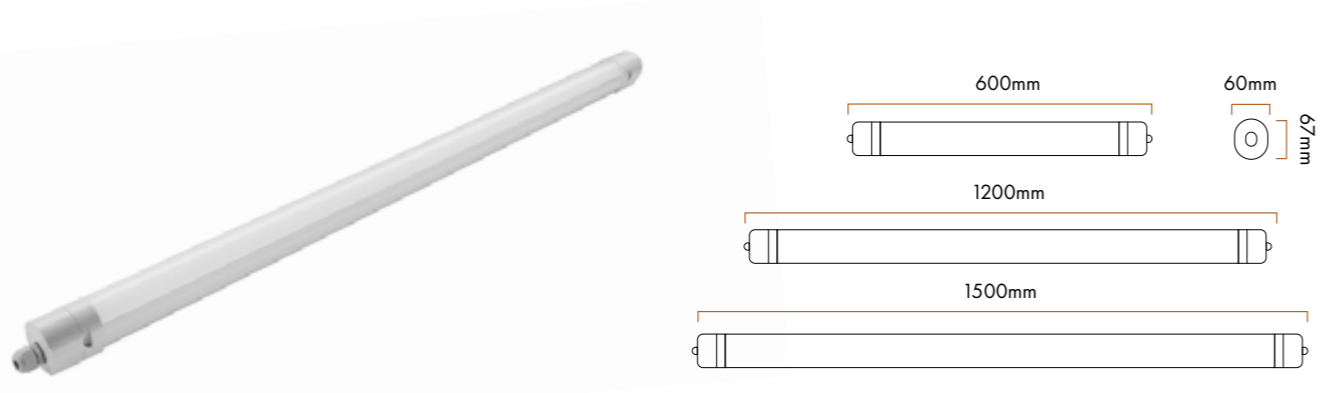


UNOLUMEN®

# Bruno ECO

Commercial weatherproof luminaire

High Impact resistance extrusion integrated waterproof luminaires suitable for industrial spaces



120°	IP66	CRI > 80	IK08	CE
RoHS	-20/+40°C	GLOW WIRE TEST 850°C	50K HRS	5 YEARS WARRANTY

## Features

Suitable for Ceiling/Wall mount/Suspended applications

PC extrusion moulded body, opal PC diffuser and PC housing ensures durability

Maintenance free, pollution free installation

Continuous integration possibility through quick wiring with fast connector design

IP66, IK08 rating provides waterproof, high impact resistance under harsh environments

Uniform light distribution with 120° lens

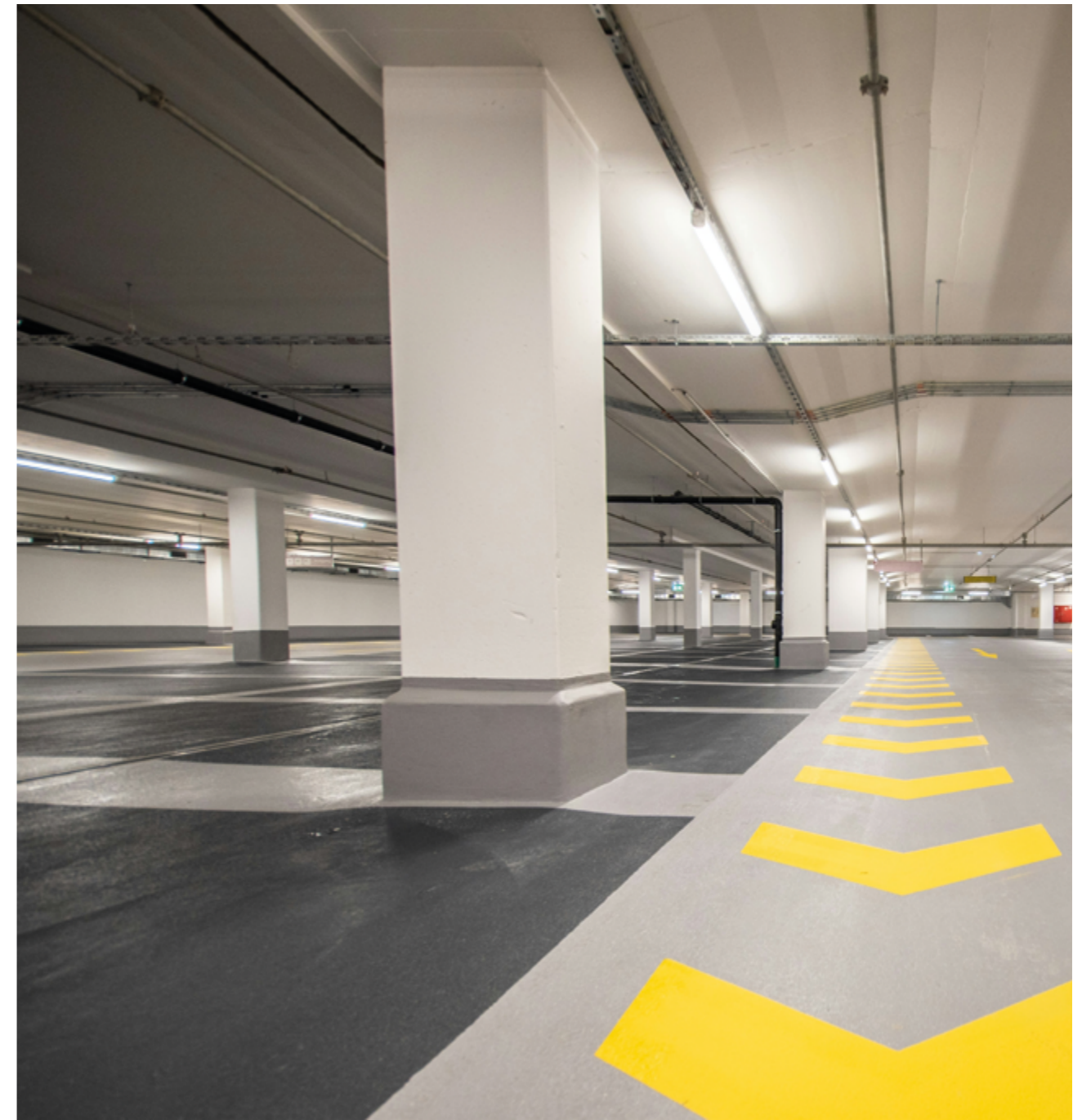
2ft, 4ft, 5ft options available

CCT: 4000K Standard; 3000K | 6000K available on request

Offered in 18W, 36W, 50W to operate in 220-240VAC

Motion Sensor and Remote emergency packs available on request

Code	Wattage	Lumen output	CCT	Dimensions (LxWxH)
ULWPBRECO1840	18W	1800lm	4000K	600x60x67 mm
ULWPBRECO3640	36W	3600lm	4000K	1200x60x67 mm
ULWPBRECO5040	50W	5000lm	4000K	1500x60x67 mm



## Optional versions

Motion Sensor  
ULWPBRECO $xxyy$ -MS

Remote Emergency Pack  
ULWPBRECO $xxyy$ -EM

## Accessories

Suspension Kit  
ULWPBRECO $xxyy$ -SK



$xx$  = selection of wattage

$yy$  = selection of color temperature

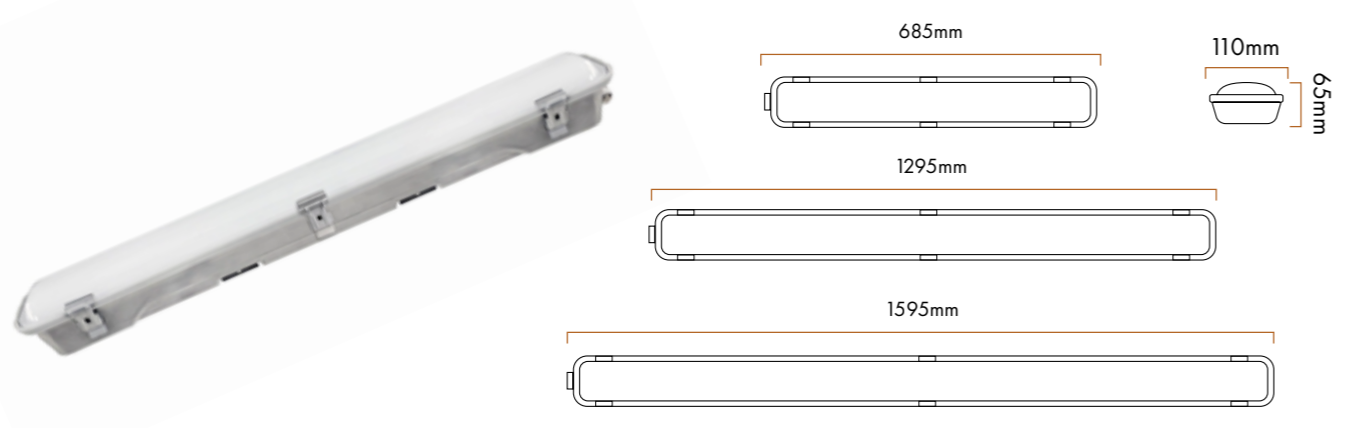


UNOLUMEN®

# Bruno SS

Commercial weatherproof luminaire

High Impact resistance SS waterproof luminaires suitable for industrial spaces



## Features

Suitable for Ceiling/Wall mount/Suspended applications

304 stainless steel housing, SS clips, tempered glass diffuser

Iron gear tray for better heat dissipation

Flicker-free Philips LED driver

IP65 rating and gel gasket ensures waterproof and dustproof

Uniform light distribution with 120° lens

2ft, 4ft, 5ft options available

CCT: 4000K standard, 3000K | 6000K available on request

Offered in 20W, 40W, 60W to operate in 220-240VAC, 50/60Hz

Code	Wattage	Lumen output	CCT	Dimensions (LxWxH)
ULWPBRSS2040	20W	2800lm	4000K	685x110x65 mm
ULWPBRSS4040	40W	5800lm	4000K	1295x110x65 mm
ULWPBRSS6040	60W	8700lm	4000K	1595x110x65 mm



## Accessories

Suspension Kit  
ULWPBRSSxxyy-SK

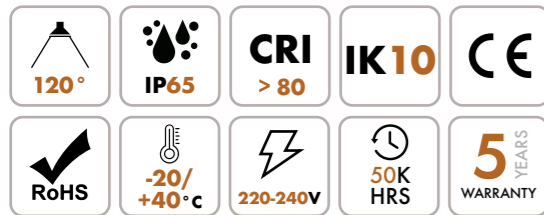
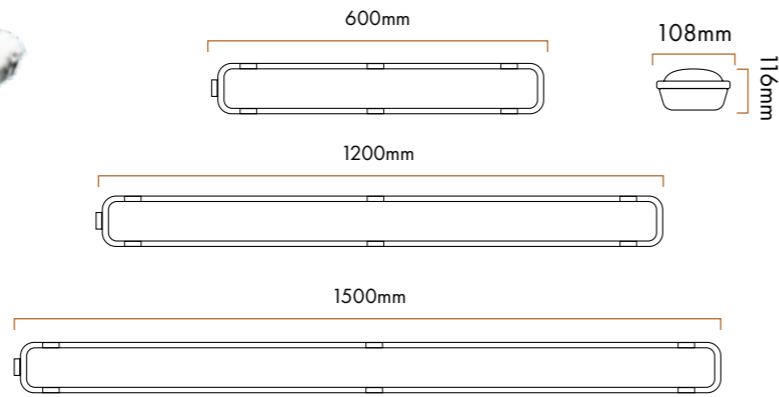


xx = selection of wattage  
yy = selection of color temperature

# Bruno GRP

Commercial weatherproof luminaire

High performance, corrosion resistant IP65 luminaires suitable for harsh industrial spaces



## Features

Suitable for Ceiling/Wall mount/Suspended applications

IP65 GRP housing with high impact resistant IK10 rating

Corrosion resistant PMMA diffuser

High performance with 130lm/W efficacy

Iron gear tray for heat resistance

Gel gasket ensures resistance to UV, water and dust

Flicker-free driver

2ft, 4ft, 5ft options available

Offered in 15W, 36W, 50W in 220-240V AC, 50/60 Hz

Supplied with stainless steel mounting clips (2 pcs)

DALI dimming/motion sensor/Remote emergency pack options available on request

Code	Wattage	Dimensions (LxWxH)	Lumen output	CCT
ULWPBRGRP1540	15W	600x116x108 mm	1950lm	4000K
ULWPBRGRP3640	36W	1200x116x108 mm	4680lm	4000K
ULWPBRGRP5040	50W	1500x116x108 mm	6500lm	4000K



## Optional versions

DALI dimming  
ULWPBRGRPxx40-DALI

Motion Sensor  
ULWPBRGRPxx40-MS

Remote emergency pack  
ULWPBRGRPxx40-EM

## Accessories

Suspension Kit  
ULWPBRGRPxx40-SK

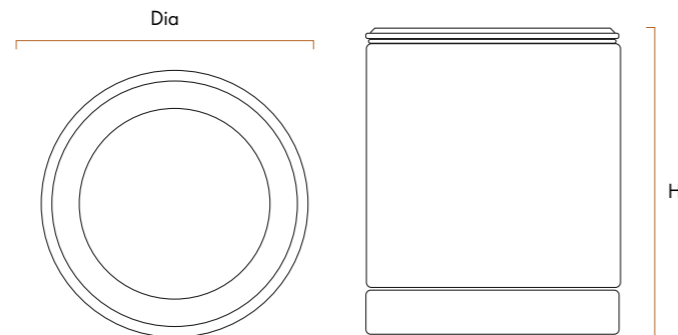


xx = selection of wattage

# Ibiza

## LED surface mounted downlight

IP65 rated diecast aluminium construction and wide range of wattage



### Colors



### Features

ADC12 Diecast aluminium heat sink: provides good heat conduction and dissipation

Bright silver anti-glare reflector gives high quality advanced design optics and accurate light control

Wide range of wattage: 9W | 12W | 15W | 24W | 33W | 50W

Beam Angle 24° | 38° | 60°

CCT: 3000K | 4000K | 5000K

Tempered glass for maximum light emission

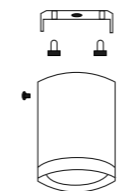
IP65 waterproof silicone ring

Built-in, non-dimmable, flicker-free driver

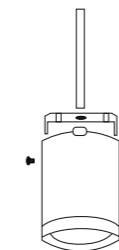
1-10V/ DALI available on request

Code	Wattage	Beam angle	Lumen output	CCT	Dimensions (DiaxH)
ULSDIB093830	9W	38°	750lm	3000K	Ø90x115 mm
ULSDIB123830	12W	38°	1000lm	3000K	Ø90x115 mm
ULSDIB153830	15W	38°	1250lm	3000K	Ø90x115 mm
ULSDIB243830	24W	38°	2100lm	3000K	Ø110x140 mm
ULSDIB333830	33W	38°	3300lm	3000K	Ø135x170 mm
ULSDIB503830	50W	38°	5000lm	3000K	Ø160x200 mm

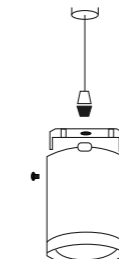
### Accessories



Surface mount  
ULSDIBxxyyzz-SM



Pole mount  
ULSDIBxxyyzz-PM



Pendant mount  
ULSDIBxxyyzz-PD

### Color finish options

Matt White  
ULSDIBxxyyzz-MW

Matt Black  
ULSDIBxxyyzz-MB



**xx** = selection of wattage

**yy** = selection of beam angle

**zz** = selection of color temperature



**Ibiza**





UNOLUMEN®

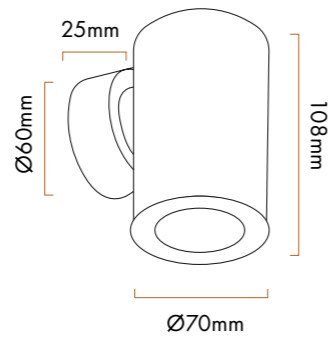
# Malaga

LED outdoor wall light

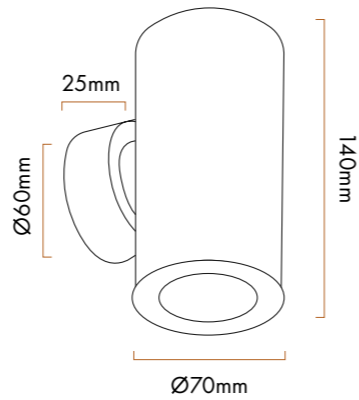
Single or double emission IP65 wall mounted light



ULWLMA1\*830



ULWLMA2\*830



- 36° beam angle
- IP65 waterproof rating
- CRI ≥90
- CE mark
- RoHS compliant
- Operating temperature: -20/+50°C
- Voltage: 220-240V
- 40K HRS lifespan
- 5 YEARS WARRANTY

Colors

- textured white
- textured black

## Features

Aluminium alloy body

Beam angles: 15° | 24° | 36° | 50°

CCT: 2700K | 3000K | 4000K

IP65 waterproof silicone ring

Built-in, non-dimmable LED driver

Code	Wattage	Light emission	Lumen output	CCT	Dimensions (DiaxH)
ULWLMA830SE	8W	Single (Downward)	630lm	3000K	Ø70x108 mm
ULWLMA830DE	2*8W	Double (Up and Down)	1300lm	3000K	Ø70x140 mm



## Color finish options

Textured White  
ULWLMA8yyzz-TW

Textured Black  
ULWLMA8yyzz-TB



yy = selection of color temperature  
zz = single emission/ double emission

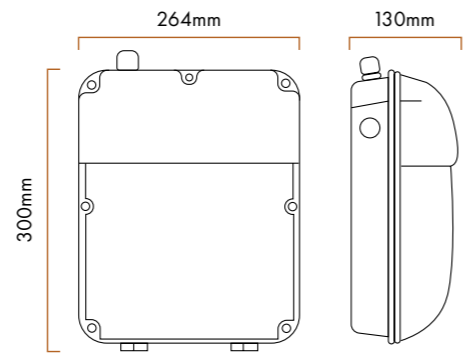


UNOLUMEN®

# Berna

High output LED outdoor wall pack

Surface mounted luminaire for illuminating general amenity spaces



- 120°
- IP65
- CRI >80
- CE
- 10/+50°C
- 220-240V
- 50K HRS
- 5 YEARS WARRANTY

Color



## Features

- Die cast aluminium body with polycarbonate diffuser

---

- Robust construction with tamper proof screws

---

- CCT: 4000K standard; 3000K and 6500K available on request

---

- Emergency, photocell and microwave sensor options available on request

---

- 20mm multiple conduit entry

Code	Wattage	Lumen output	CCT
ULBHBE3540	35W	3700lm	4000K
ULBHBE4040	40W	4200lm	4000K
ULBHBE4540	45W	4600lm	4000K
ULBHBE5040	50W	5000lm	4000K



## Optional versions

- Remote emergency pack  
ULBHBE<sup>xx</sup>yy-EM

---

  - Photocell  
ULBHBE<sup>xx</sup>yy-PC
- Microwave sensor  
ULBHBE<sup>xx</sup>yy-MS

---

  - Emergency + Microwave  
ULBHBE<sup>xx</sup>yy-EM+MS

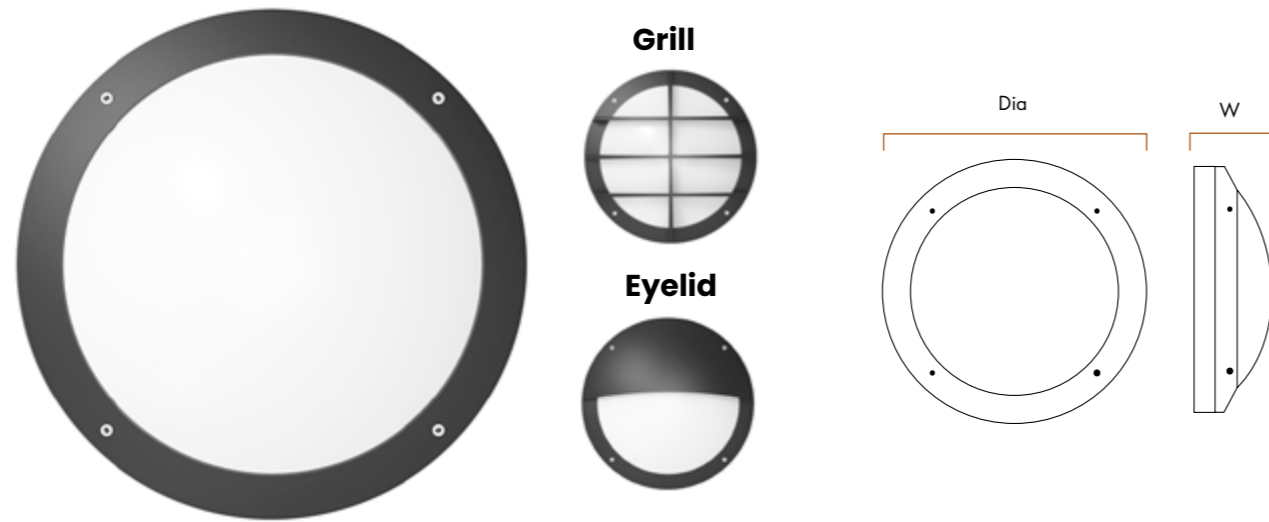
**xx** = selection of wattage

**yy** = selection of color temperature

# Rodos

## High Impact resistance LED bulkhead

Surface mounted outdoor luminaire in round shape with trim options



Standard color



Color on request



### Features

Die cast aluminium housing and trim with polycarbonate diffuser

IK06/IK08 rating provides high impact resistance

Flicker free driver

Suitable for Ceiling/wall surface mounting

CCT: 4000K standard, 3000K and 6000K available on request

Emergency and microwave sensor options available on request

Fast wiring by means of push terminal

Ø148mm or Ø275mm, two diameter options

Code	Wattage	Lumen output	CCT	Accessory	IK rating	Dimensions (DiaxW)
ULBHRO1040S	10W	900lm	4000K	Standard	IK08	148x55 mm
ULBHRO1040E	10W	450lm	4000K	Eyelid	IK08	148x60 mm
ULBHRO1040G	10W	500lm	4000K	Grill	IK08	148x65 mm
ULBHRO3040S	30W	2900lm	4000K	Standard	IK08	275x75 mm
ULBHRO3040E	30W	1500lm	4000K	Eyelid	IK08	275x80 mm
ULBHRO3040G	30W	1600lm	4000K	Grill	IK08	275x86 mm

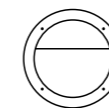


### Optional versions

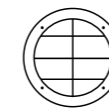
Remote emergency pack  
ULBHROxx40y-EM

Microwave sensor  
ULBHROxx40y-MS

Emergency +  
microwave sensor  
ULBHROxx40y-EM+MS



Eyelid  
ULBHROxx40E



Grill  
ULBHROxx40G

### Color finish options

Grey  
ULBHROxx40y-G

White  
ULBHROxx40y-w

Silver  
ULBHROxx40y-S

Black  
ULBHROxx40y-B



xx = selection of wattage

y = selection of accessory

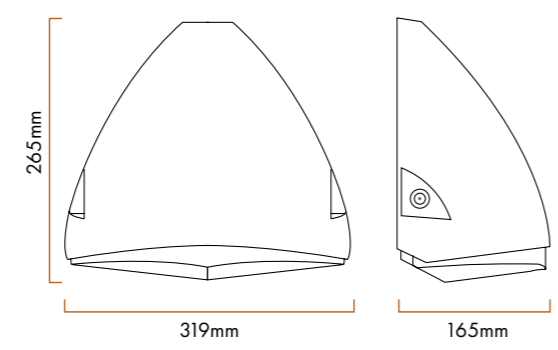


UNOLUMEN®

# Tirana

Multi-power, CCT selectable LED bulkhead

Modern and minimalist triangle shaped bulkhead with high efficiency, high impact resistance and versatile optics



- IK10
- IP65
- CRI >80
- CE
- RoHS
- 10/+50°C
- 220-240V
- 50K HRS
- 5 YEARS WARRANTY

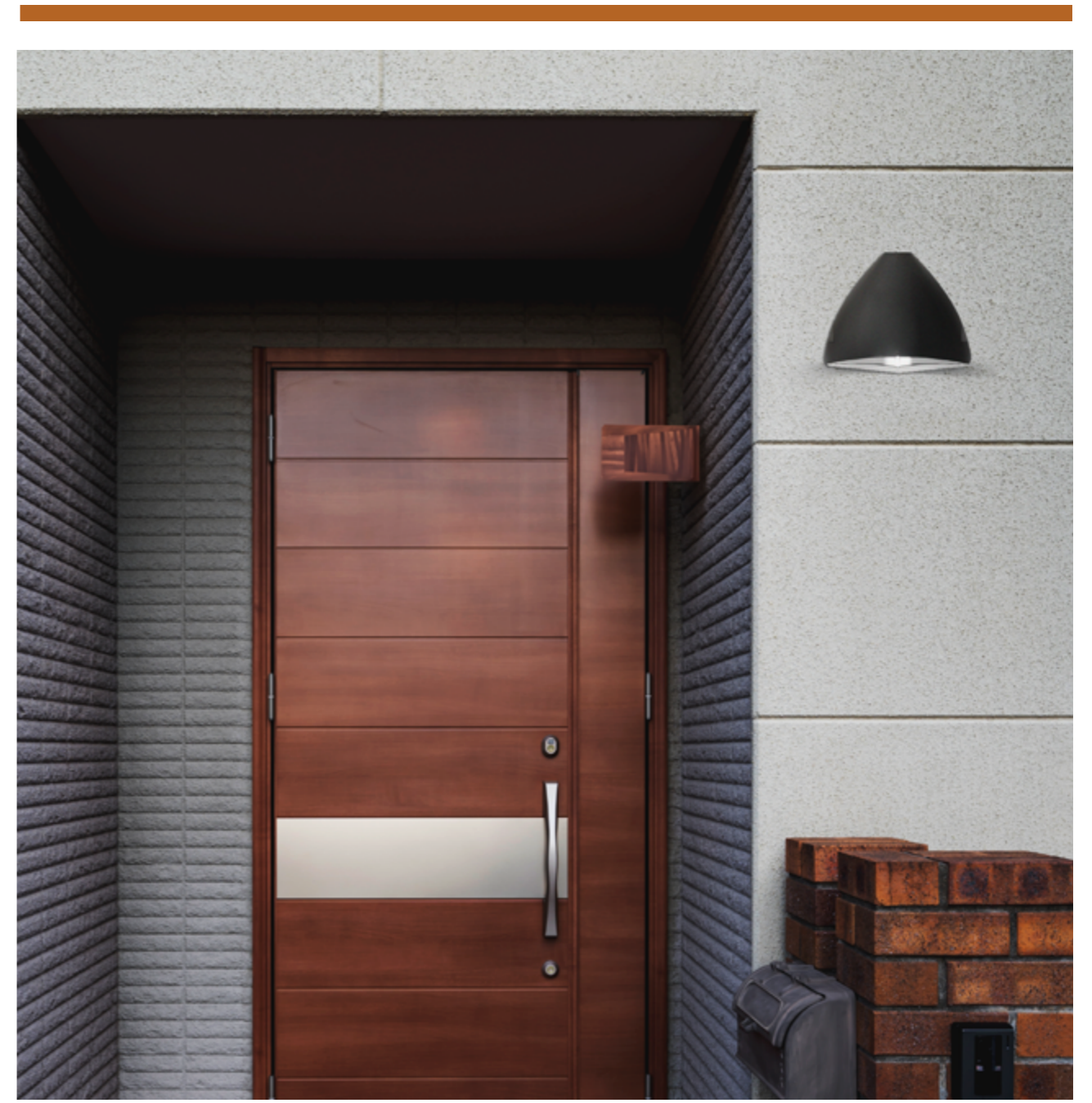
Colors

- anthracite grey
- grey white
- black

## Features

- Die cast aluminium body with frosted polycarbonate diffuser
- High efficiency of up to 140lm/W
- Screw-less front design gives a modern, elegant look
- IP65 ingress protection and IK10 provides high impact resistance
- Suitable for rear and side cable entry, conduit and BESA box installation
- Easy installation due to PCB integrated diffuser
- Offered in 13W, 18W, 28W
- CCT: 4000K standard; 3000K and 6500K available on request
- DALI dimming available on request

Code	Wattage	Lumen output	CCT
ULBHTI1340	13W	1800lm	4000K
ULBHTI1840	18W	2500lm	4000K
ULBHTI2840	28W	3500lm	4000K



## Optional versions

- Dali dimming  
ULBHTIxxyy-DALI
- Photocell  
ULBHTIxxyy-PC
- Open area optics  
ULBHTIxxyy-OA
- Remote emergency pack  
ULBHTIxxyy-EM
- Asymmetric optics  
ULBHTIxxyy-AS
- Microwave Sensor  
ULBHTIxxyy-MS

## Color finish options

- Anthracite Grey  
ULBHTIxxyyG
- Grey white  
ULBHTIxxyyW
- Black  
ULBHTIxxyyB



**xx** = selection of wattage

**yy** = selection of color temperature

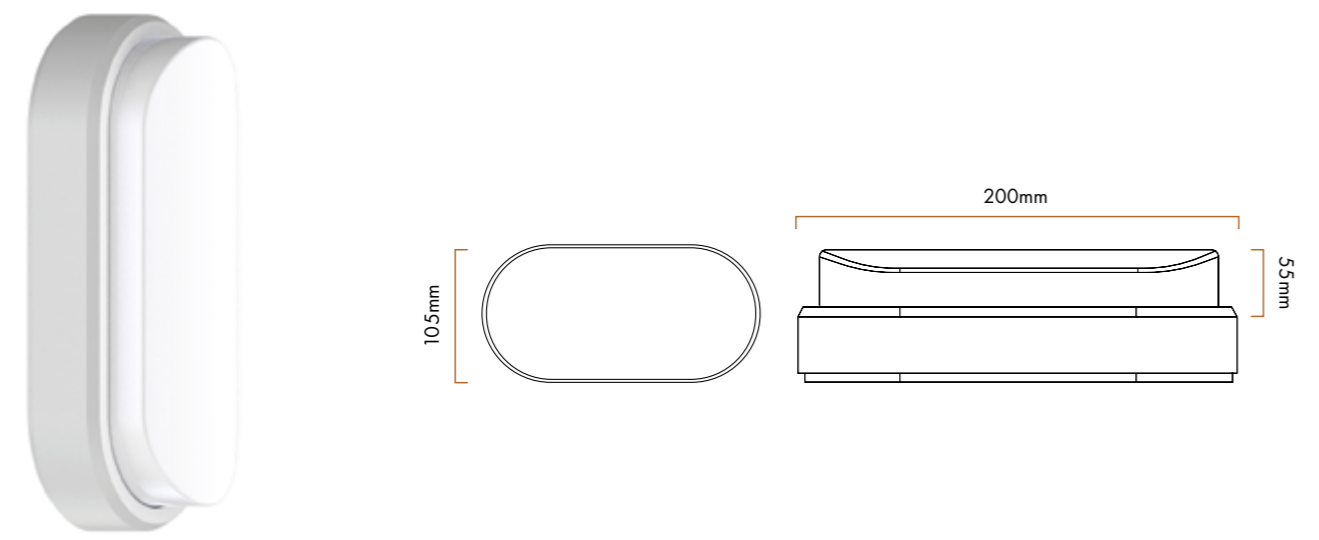


UNOLUMEN®

# Londra

UV resistant LED bulkhead

Simple and compact light suitable for outdoor applications



Colors

white
  black

## Features

- UV resistant plastic casing body
- IP65 waterproof protection, suitable for outdoor application
- Flicker free driver, THD <15%
- CCT: 4000K standard; 3000K | 5000K | 6000K available on request
- Emergency/ Motion Sensor options available on request

Code	Wattage	Lumen output	CCT
ULBHLO1240	12W	1200lm	4000K
ULBHLO1640	16W	1600lm	4000K



## Color finish options

- White  
ULBHLO $xx$ yyW
- Black  
ULBHLO $xx$ yyB

**i**

- xx** = selection of wattage
- yy** = selection of color temperature
- z** = selection of color finish

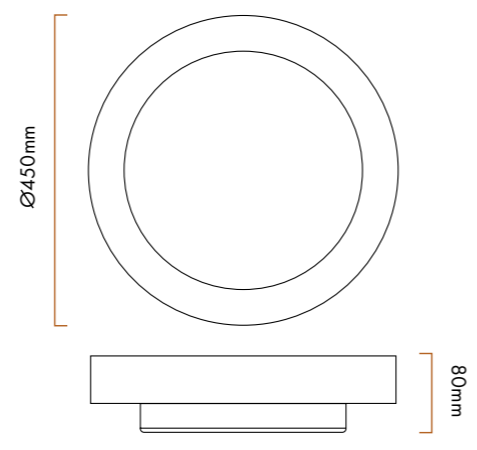


UNOLUMEN®

# Monaco

UV resistant LED bulkhead

Simple and compact light suitable for outdoor applications



120°	IP20	CRI >80	CCT 4000K	CE
RoHS	10/+40°C	220-240V	50K HRS	5 YEARS WARRANTY

Colors



## Features

Aluminium body with prismatic diffuser, UGR<19

IP20 suitable for indoor spaces

High lumen efficacy up to 120lm/W

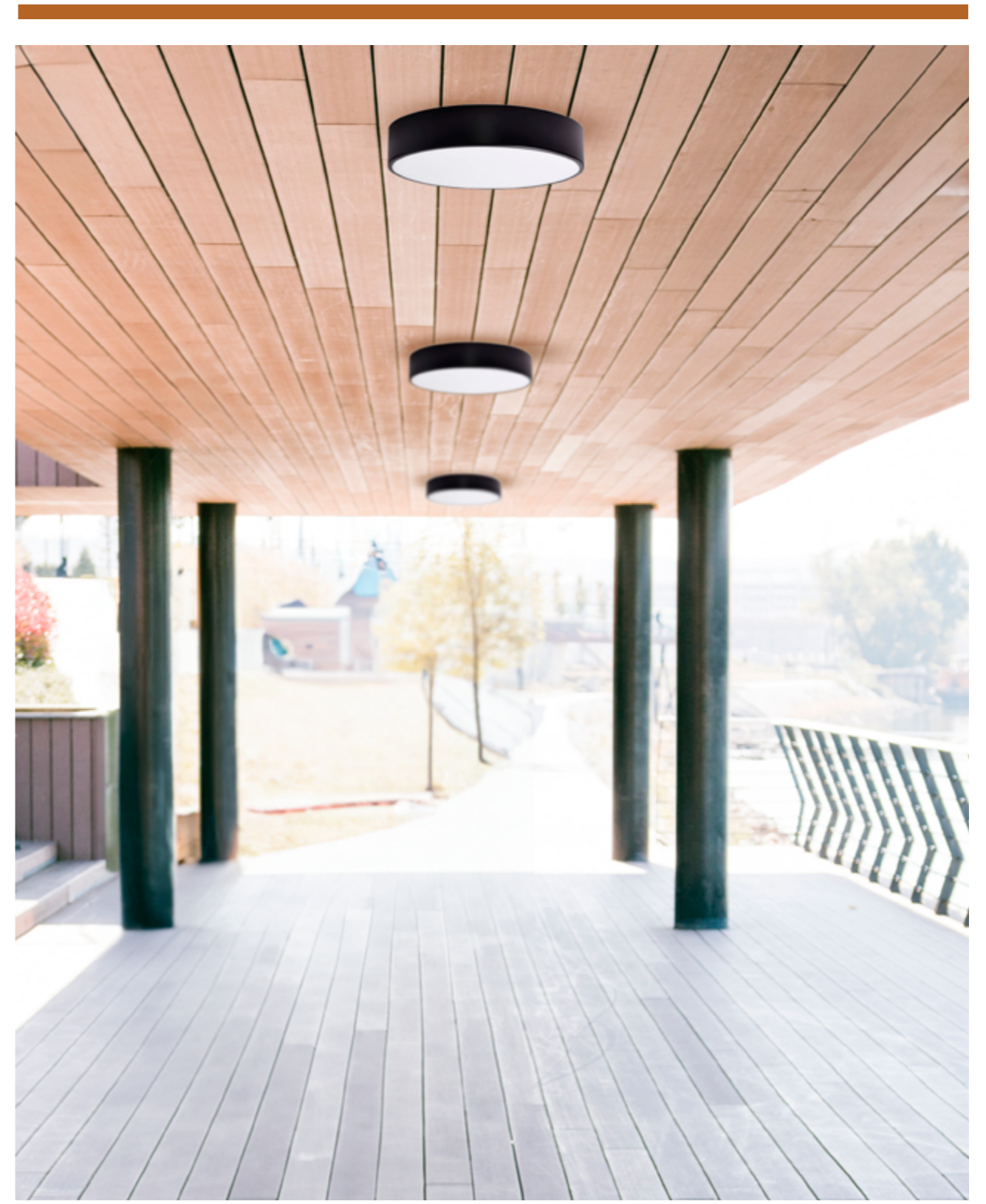
CCT: 4000K standard; 3000K and 5000K available on request

On/ Off Flicker free driver

Junction box for easy installation

1-10V/ DALI dimming options available on request

Code	Wattage	Lumen output	CCT
ULBHMO3040	30W	3600lm	4000K



## Color finish options

White  
ULBHMO30xxW

Black  
ULBHMO30xxB

## Optional versions

DALI Dimming  
ULBHMO30xy-DALI

1-10V Dimming  
ULBHMO30xy-110



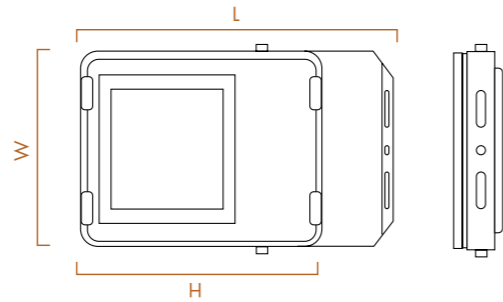
xx = selection of color temperature

y = selection of color finish

# Riga

LED flood light

Modern and elegant design with complete wattage range



 120°	 IP65	 CRI >80	 IK08	 CE	 RoHS
 -25/+50°C	 220-240V	 SDCM <5	 50K HRS	 5 YEARS WARRANTY	

Color



## Features

Die-cast aluminium housing with Polycarbonate lens

Wide range of wattage from 50W-300W

Luminaire efficacy up to 150lm/W

Asymmetric light distribution is optional

Microwave motion sensor, 1-10V/DALI dimming, 10KV Surge protection device options available on request

Enhanced safety features with open circuit/short circuit protection, over voltage protection

Code	Wattage	Lumen output	CCT	Dimensions (LxWxH)
ULFLRI5040	50W	7500lm	4000K	220x160x87 mm
ULFLRI8040	80W	12000lm	4000K	220x160x87 mm
ULFLRI10040	100W	15000lm	4000K	357x270x71 mm
ULFLRI12040	120W	18000lm	4000K	357x270x71 mm
ULFLRI15040	150W	22500lm	4000K	408x309x71 mm
ULFLRI20040	200W	30000lm	4000K	408x309x71 mm
ULFLRI240040	240W	36000lm	4000K	481x372x71 mm
ULFLRI30040	300W	45000lm	4000K	481x372x71 mm



## Optional versions

1-10V Dimming  
ULFLRI $xxxy$ -110

DALI Dimming  
ULFLRI $xxxy$ -DALI

Microwave motion sensor  
ULFLRI $xxxy$ -MS

Surge protection device  
ULFLRI $xxxy$ -SPD



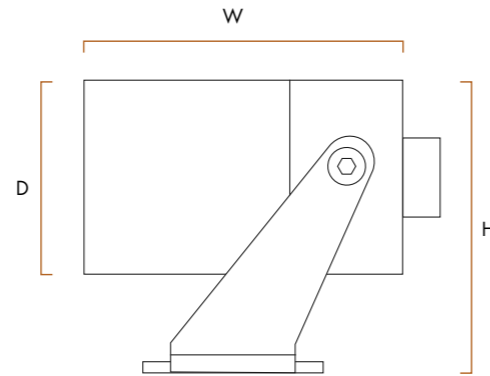
**xx** = selection of wattage

**yy** = selection of color temperature

# Porto

## Outdoor LED floodlight

IP66 waterproof projection light with minimalist design



-  36°
-  IP66
-  CRI ≥80
-  CE
-  RoHS
-  -20/+55°C
-  220-240V
-  50K HRS
-  5 YEARS WARRANTY

Color



### Features

High purity aluminium alloy precision die-casting body with tempered glass cover

Anti-glare structure design with high-efficiency PMMA optical lens

Available in 5W | 10W | 16W

Standard CRI ≥80; CRI ≥90 is optional

IP66 waterproof with stainless steel screws

Beam Angle 12° | 24° | 36° | 50°

CCT: 2700K | 3000K | 4000K

24V DC with a non-dimmable on/off remote driver

Quick-plug connection available on request

Code	Wattage	Beam angle	Lumen output	CCT	Dimensions (DxWxH)
ULPRPO053630	5W	36°	600lm	3000K	Ø38x70x57 mm
ULPRPO103630	10W	36°	1200lm	3000K	Ø62x106x80 mm
ULPRPO163630	16W	36°	1920lm	3000K	Ø80x130x100 mm



### Accessories

Quick plug connection  
ULPRPOxxyyzz-QP

Earth spike  
ULPRPOxxyyzz-ES

### Optional version

CRI ≥90  
ULPRPOxxyyzz-CRI90



**xx** = selection of wattage

**yy** = selection of beam angle

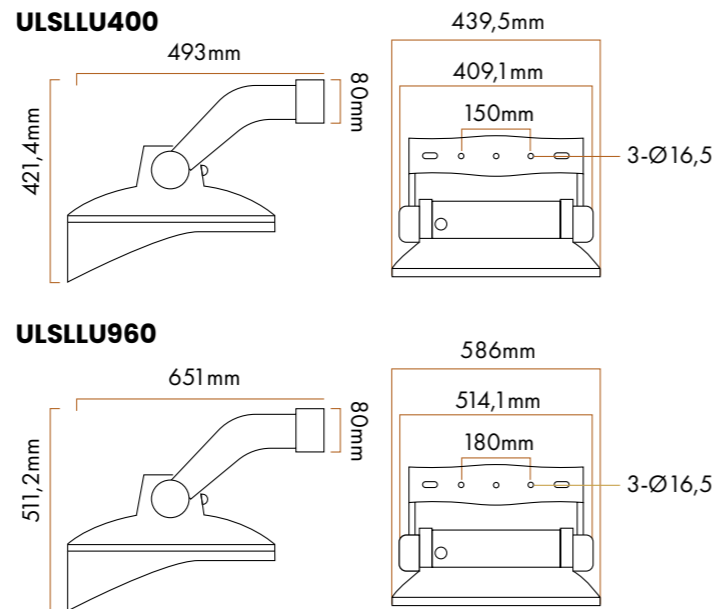
**zz** = selection of color temperature



# Lucian

LED sports light/stadium light/high mast light

Superior light control, energy efficient, trouble-free operation with long-term reliability



IP66	CRI 80+	IK10	10KV SURGE PROTECTION	CE
RoHS	-35/+50°C	220-240V	50K HRS	5 YEARS WARRANTY

Color



## Features

Die-cast aluminium housing with Polycarbonate lens

400W / 960W with Lumileds LED chips

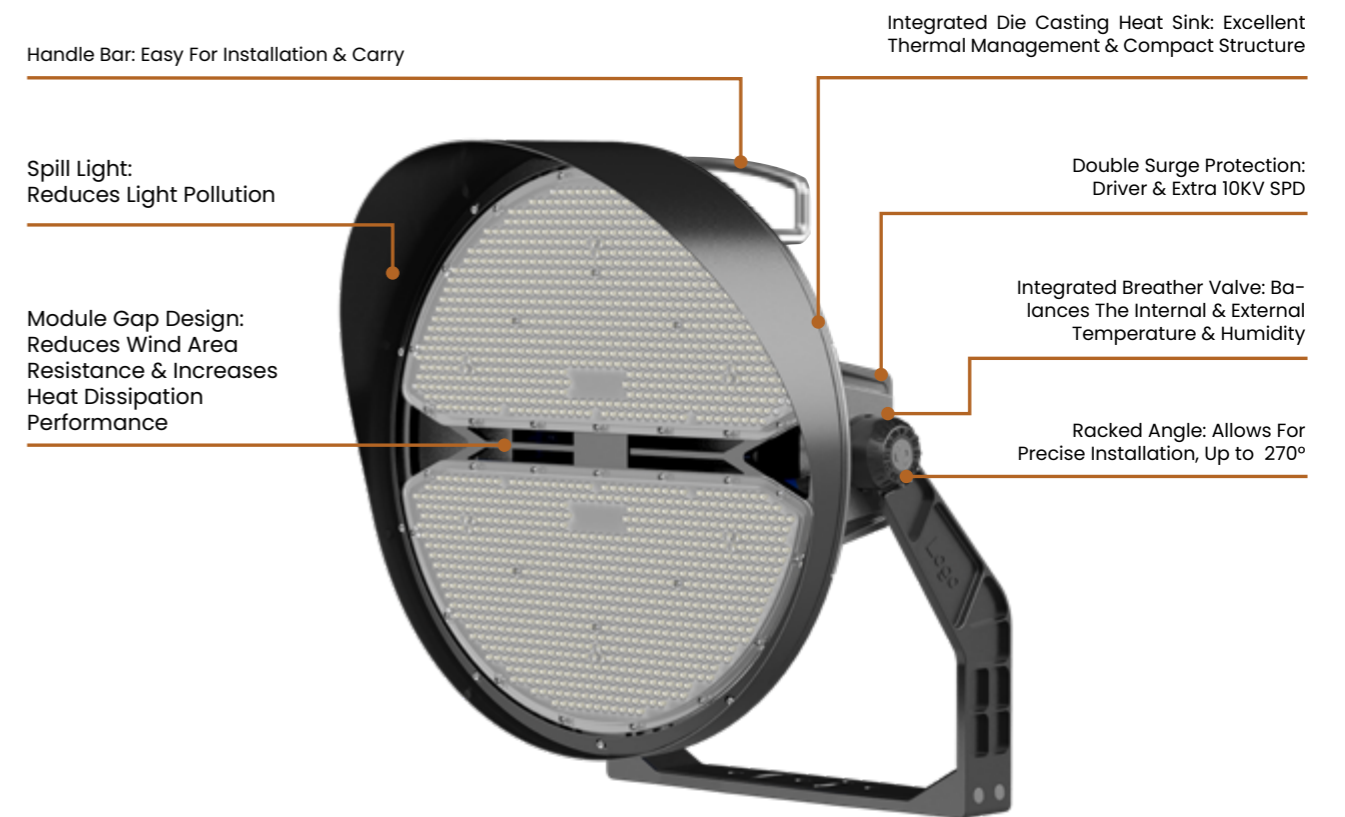
Luminaire efficacy up to 150lm/W

CCT: 5000K | 5700K standard; other color temperatures within 2700K-6500K range are available on request

Built-in 10KV Surge Protection Device

DALI/ DMX control options available on request

Code	Wattage	Beam angle	Lumen output	CCT	Dimensions (LxWxH)
ULSLLU40050_ _	400W	25°/45°/60°/90°	56,000lm	5000K	493x439x421 mm
ULSLLU40057_ _	400W	25°/45°/60°/90°	56,000lm	5700K	493x439x421 mm
ULSLLU96050_ _	960W	25°/45°/60°/90°	140,000lm	5000K	651x586x511 mm
ULSLLU96057_ _	960W	25°/45°/60°/90°	140,000lm	5700K	651x586x511 mm



## Optional versions

DALI Dimming  
ULSLLUxxxxy\_ \_DALI

DMX Control  
ULSLLUxxxxy\_ \_DMX



xxx = selection of wattage

yy = selection of color temperature

\_ \_ = selection of beam angle

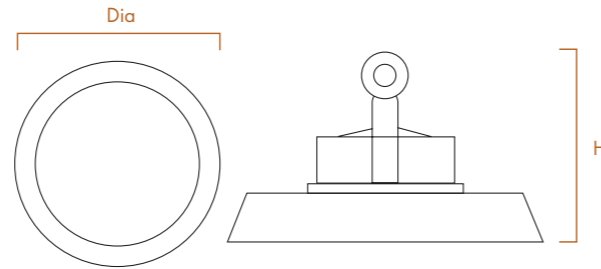


**Lucian**

# Loretto

## High impact resistance LED highbay light

Up to 150lm/W efficacy, light-weight, suitable for harsh industrial spaces



120°	IP65	CRI >70	IK08	CE
RoHS	-25/+50°C	220-240V	50K HRS	5 YEARS WARRANTY

Colors



### Features

Die-cast aluminium housing

High strength polycarbonate lens with IK08 rating

Excellent thermal management

Luminaire efficacy up to 150lm/W

Beam angle 60° | 90° | 120°

CCT: 3000K | 4000K | 5000K | 6000K

CRI>70 standard; CRI>80 available on request

Suitable for ceiling | pendant | rod mounting

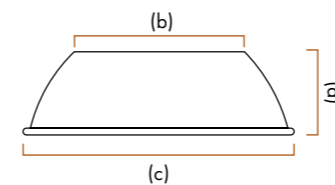
Supplied with waterproof connector at the end of the cable

1-10V | DALI dimming, Emergency kit options available on request

Code	Wattage	CCT	Beam angle	Luminaire efficacy	Lumen output	Dimensions (DiaxH)
ULHBLO10040120	100W	4000K	120°	150lm/W	15000lm	ø260x111 mm
ULHBLO15040120	150W	4000K	120°	150lm/W	22500lm	ø285x111 mm
ULHBLO20040120	200W	4000K	120°	150lm/W	30000lm	ø362x127 mm
ULHBLO24040120	240W	4000K	120°	150lm/W	36000lm	ø362x127 mm
ULHBLO30040120	300W	4000K	120°	150lm/W	45000lm	ø408x132 mm

### Accessories

Hook mount	Pipe mount	Suspended mount	Safety steel rope
Pipe mount 3/4 nut with M10	U bracket	Ceiling mount ULHBLOxxxxyzz-CM	Rod mount ULHBLOxxxxyzz-RM
		Pendant mount ULHBLOxxxxyzz-PM	



Code	Anti-glare Aluminium Reflector	Dimensions
ULHBLO100yyzzAR	Suitable for 100W	(a)99mm x (b)184,1mm x (c)316,4mm
ULHBLO150yyzzAR	Suitable for 100W	(a)111,7mm x (b)230,4mm x (c)373,4mm
ULHBLO200yyzzAR	Suitable for 200W	(a)131,4mm x (b)271,2mm x (c)439,5mm
ULHBLO240yyzzAR	Suitable for 240W	(a)131,4mm x (b)271,2mm x (c)439,5mm
ULHBLO300yyzzAR	Suitable for 300W	(a)135,8mm x (b)299,8mm x (c)467,7mm

### Optional versions

1-10V Dimming  
ULHBLOxxxxyzz-110

DALI dimming  
ULHBLOxxxxyzz-DALI

Remote emergency pack  
ULHBLOxxxxyzz-EM



**xxx** = selection of wattage  
**yy** = selection of color temperature  
**zz** = selection of beam angle

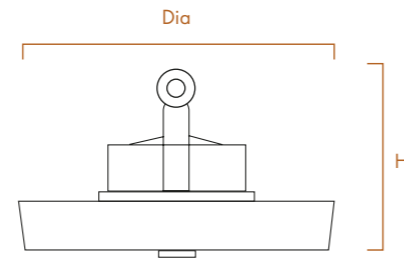


**Loretto**

# Praga

LED highbay light

Commercial highbay with 150lm/W efficacy, suitable for a variety of industrial spaces



120°	IP65	CRI >70	IK08	CE
RoHS	-20/+50°c	220-240V	50K HRS	5 YEARS WARRANTY

Color



## Features

Die-cast aluminium housing with tempered glass

High impact resistance with IK08 rating

Luminaire efficacy up to 150lm/W

CCT: 4000K standard; 3000K | 5000K | 6000K available on request

CRI >70 standard; CRI >80 on request

Suitable for ceiling | wall | pendant | rod mounting

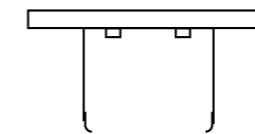
Supplied with waterproof connector at the end of the cable

1-10V | DALI dimming, Emergency options available on request

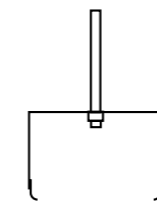
Code	Wattage	Lumen efficiency	CCT	Beam angle	Lumen output	Dimensions Dia x H
ULHBPR10040120	100W	150lm/W	4000K	120°	15000lm	ø280x136 mm
ULHBPR15040120	150W	150lm/W	4000K	120°	22000lm	ø280x136 mm
ULHBPR20040120	200W	150lm/W	4000K	120°	30000lm	ø280x136 mm
ULHBPR24040120	240W	150lm/W	4000K	120°	36000lm	ø320x136 mm



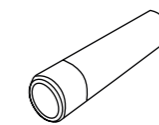
## Accessories



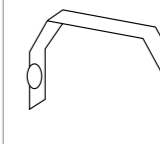
Ceiling mount  
ULHBPRxxxxyzz-CM



Rod mount  
ULHBPRxxxxyzz-RM



Pipe mount  
3/4 nut with M10



U bracket



Safety steel rope

## Optional versions

1-10V Dimming  
ULHBPRxxxxy-110

DALI dimming  
ULHBPRxxxxy-DALI

Remote emergency pack  
ULHBPRxxxxy-EM



xxx = selection of wattage

yy = selection of color temperature

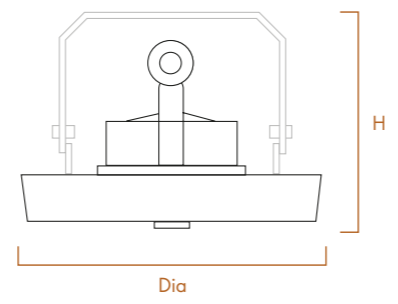


UNOLUMEN®

# Mahina Pro

LED highbay light

Most efficient highbay with maximum visual comfort and longevity



- 120°
- IP65
- CRI >70
- IK09
- CE
- RoHS
- 25/+50°C
- 220-240V
- 50K HRS
- 5 YEARS WARRANTY

Color



## Features

Die-cast aluminium housing with polycarbonate lens and diffuser

Electrostatic polyester powder coated compact housing provides optimised heat dissipation

Reduced maintenance due to robust design

Quick ROI, thanks to the long life span and reduced maintenance

Beam Angle 60° | 90° | 120°

CCT: 4000K standard; 3000K | 5000K | 6000K available on request

Suitable for ceiling or pendant mounting

Supplied with waterproof connector and cable length of 30cm

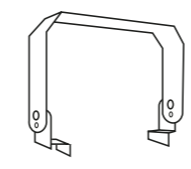
DALI dimming | Motion sensor | Emergency kit options available on request

Open circuit, short circuit and overvoltage protection

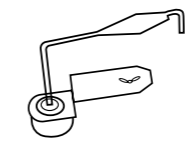
Code	Wattage	Luminaire efficacy	CCT	Beam angle	Lumen output	Dimensions DiaxH
ULHBMA10040120	100W	190lm/W	4000K	120°	19000lm	ø257x111 mm
ULHBMA15040120	150W	190lm/W	4000K	120°	28500lm	ø298x112 mm
ULHBMA20040120	200W	190lm/W	4000K	120°	38000lm	ø353x117 mm
ULHBMA24040120	240W	190lm/W	4000K	120°	45600lm	ø353x117 mm



## Accessories



Adjustable bracket



Sensor



Safety chain

Ceiling mount  
ULHBMAxxx<sup>yy</sup>zz-CM

Pendant mount  
ULHBMAxxx<sup>yy</sup>zz-PM

## Optional versions

DALI dimming  
ULHBMAxxx<sup>yy</sup>zz-DALI

Motion sensor  
ULHBMAxxx<sup>yy</sup>zz-MS

Remote emergency pack  
ULHBMAxxx<sup>yy</sup>zz-EM



xxx = selection of wattage

yy = selection of color temperature

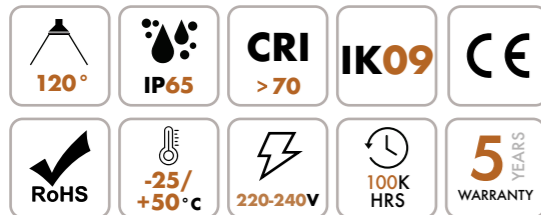
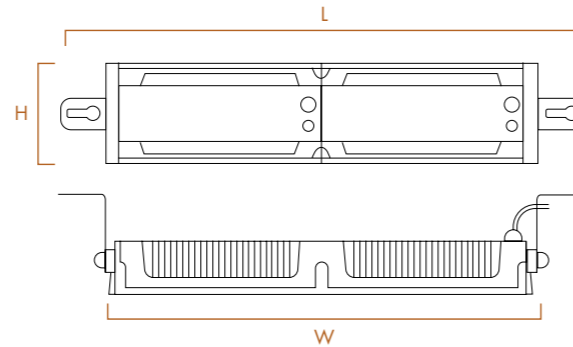
zz = selection of beam angle

# Faro linear

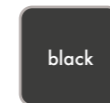
## LED linear highbay light

UNOLUMEN®

High efficiency highbay with wide range of wattage selection



Color



### Features

Die-cast aluminium housing with polycarbonate lens and diffuser

Electrostatic polyester powder coated compact housing provides optimised heat dissipation

Reduced maintenance due to robust design

Fast ROI thanks to long life span and reduced maintenance

Extremely wide range of wattage options from 100W-480W

Beam Angle 30°x70° | 60°x90° | 40°x110°

CCT: 4000K standard; 3000K | 5000K | 6000K available on request

Suitable for ceiling or pendant mounting

Upward Light Output Ratio (ULOR) 0%

Supplied with waterproof connector and cable length of 30cm

DALI dimming | Motion sensor | Emergency kit options available on request

Open circuit, short circuit and overvoltage protection

Supplied with Surface mounting bracket

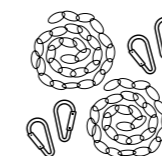
1-10V dimmable

Code	Product image	Wattage	Lumen output	Luminaire efficacy	CCT	Beam angle	Dimensions (LxWxH)
ULHBFA10040120		100W	16000lm	160lm/W	4000K	120°	388x150x85 mm
ULHBFA15040120		150W	24000lm	160lm/W	4000K	120°	388x150x85 mm
ULHBFA20040120		200W	32000lm	160lm/W	4000K	120°	741x150x85 mm
ULHBFA24040120		240W	36000lm	150lm/W	4000K	120°	741x150x85 mm
ULHBFA30040120		300W	48000lm	160lm/W	4000K	120°	1094x150x85 mm
ULHBFA40040120		400W	64000lm	160lm/W	4000K	120°	741x305x85 mm
ULHBFA48040120		480W	72000lm	150lm/W	4000K	120°	741x305x85 mm

### Accessories

Ceiling mount  
ULHBFAxxxxyzzz-CM

Pendant mount  
ULHBFAxxxxyzzz-PM



Suspension Installation Kit  
2pcs steel chain 1M each  
4pcs stainless steel spring clip



**xxx** = selection of wattage

**yy** = selection of color temperature

**zzz** = selection of beam angle



**Faro linear**





UNOLUMEN®

# Rim 45 / Rim 45 painted

Ground recessed

Mini recessed light



**Rim 45**  
Stainless steel frame

**Rim 45 painted**  
Stainless steel painted frame

- NB** 15° Narrow beam
- MB** 30° Medium beam
- WB** 40° Large beam
- SW** 60° Super Wide beam
- OBI** 15°x60° Oval beam
- VS** 120° Diffuse beam

**Constant voltage (Vdc)**  
2W REMOTE DRIVER 24Vdc

**Constant current (mA)**  
2W REMOTE DRIVER max 700mA DC



## Features

- Assembly/Usage: Inground or wall recessed
- Body: Anticorodal turning aluminum 6000 Serie, for greater corrosion resistance
- Box: Polypropylene (PP)30% fiber UVstabilized GWT750
- Frame: Stainless Steel AISI316L
- CCT: 2700K | 3000K | 4000K
- Screen: Opal glass. Transparent extra-clear glass 6mm
- Seals: Closed-cell EPDM rubber
- Screws: Anti-corrosive UV stabilised polyester powder



## RIM 45 Ground recessed

UNOLUMEN®



Recessed with painted steel ferrule Ø45  
Remote driver 24Vdc



Code	Beam angle	Wattage	Source	Fixture	Input supply	CCT	CL
UL3045RHRCNB99	Spot/15°	2W	170lm	130lm	24Vdc	2700K	III
UL3045RHRCMB99	Flood/30°	2W	170lm	125lm	24Vdc	2700K	III
UL3045RHRCWB99	Wide Flood/40°	2W	170lm	120lm	24Vdc	2700K	III
UL3045RHRCWS99	Super Wide/60°	2W	170lm	122lm	24Vdc	2700K	III
UL3045RHRCOB199	Oval/15°x60°	2W	170lm	141lm	24Vdc	2700K	III
UL3045RHRCVS99	Diffuse/120°	2W	170lm	18lm	24Vdc	2700K	III
UL3045RWRCNB99	Spot/15°	2W	170lm	130lm	24Vdc	3000K	III
UL3045WRRCMB99	Flood/30°	2W	170lm	125lm	24Vdc	3000K	III
UL3045WRRCWB99	Wide Flood/40°	2W	170lm	120lm	24Vdc	3000K	III
UL3045WRRCWS99	Super Wide/60°	2W	170lm	122lm	24Vdc	3000K	III
UL3045WRRCOB199	Oval/15°x60°	2W	170lm	141lm	24Vdc	3000K	III
UL3045WRRCVS99	Diffuse/120°	2W	170lm	18lm	24Vdc	3000K	III
UL3045RNRCNB99	Spot/15°	2W	190lm	150lm	24Vdc	4000K	III
UL3045NRRCMB99	Flood/30°	2W	190lm	145lm	24Vdc	4000K	III
UL3045NRRCWB99	Wide Flood/40°	2W	190lm	140lm	24Vdc	4000K	III
UL3045NRRCWS99	Super Wide/60°	2W	190lm	139lm	24Vdc	4000K	III
UL3045NRRCOB199	Oval/15°x60°	2W	190lm	158lm	24Vdc	4000K	III
UL3045NRRCVS99	Diffuse/120°	2W	190lm	20lm	24Vdc	4000K	III

Transparent extra-clear glass 6mm | VS = Opal Glass | Dimming: Not dimmable.

**Accessories** Information on accessories at the end of the chapter.

Inground polycarbonate framework H100xØ115  
ULDBOX03001

Driver ON/OFF - 15W 24Vdc IP20 | L106xW33xH22  
ULETRA631 - 1 Driver for 1-5 Lamps

Short aluminium framework H80xØ40  
ULDBOX03201

Driver ON/OFF - 70W 24Vdc IP20 | L124xW80xH22  
ULETRA632 - 1 Driver for 1-25 Lamps

Cable 05RN-F 2x0,75 | 2M  
ULECAV540020

Driver ON/OFF - 25W 24Vdc IP67 | L148xW40xH32  
ULETRA577 - 1 Driver for 1-8 Lamps

Cable 05RN-F 2x0,75 | 5M  
ULECAV540050

Driver ON/OFF - 100W 24Vdc IP67 | L140xW63xH32  
ULETRA579 - 1 Driver for 9-30 Lamps

Cable 05RN-F 2x0,75 | 10M  
ULECAV540100

Hub 24Vdc IP66 - ON/OFF con driver 70W  
L235xW200xH92  
ULHUB24V001IND - 1 Hub for 1-8 Lamps

IP68 Connector 2ways/2Poles 2x1mm<sup>2</sup>  
ULMOR682P2V

## RIM 45 Ground recessed



Recessed with painted steel ferrule Ø45  
Remote driver max 700mA DC



Code	Beam angle	Wattage	Source	Fixture	Input supply	CCT	CL
UL3045RHRCNB99	Spot/15°	2W	220lm	170lm	max 700mA DC	2700K	III
UL3045RHRCMB99	Flood/30°	2W	220lm	162lm	max 700mA DC	2700K	III
UL3045RHRCWB99	Wide Flood/40°	2W	220lm	168lm	max 700mA DC	2700K	III
UL3045RHRCWS99	Super Wide/60°	2W	220lm	170lm	max 700mA DC	2700K	III
UL3045RHRCOB199	Oval/15°x60°	2W	220lm	182lm	max 700mA DC	2700K	III
UL3045RHRCVS99	Diffuse/120°	2W	220lm	25lm	max 700mA DC	2700K	III
UL3045RWRCNB99	Spot/15°	2W	220lm	170lm	max 700mA DC	3000K	III
UL3045WRRCMB99	Flood/30°	2W	220lm	162lm	max 700mA DC	3000K	III
UL3045WRRCWB99	Wide Flood/40°	2W	220lm	168lm	max 700mA DC	3000K	III
UL3045WRRCWS99	Super Wide/60°	2W	220lm	170lm	max 700mA DC	3000K	III
UL3045WRRCOB199	Oval/15°x60°	2W	220lm	182lm	max 700mA DC	3000K	III
UL3045WRRCVS99	Diffuse/120°	2W	220lm	25m	max 700mA DC	3000K	III
UL3045RNRCNB99	Spot/15°	2W	240lm	188lm	max 700mA DC	4000K	III
UL3045NRRCMB99	Flood/30°	2W	240lm	183lm	max 700mA DC	4000K	III
UL3045NRRCWB99	Wide Flood/40°	2W	240lm	180lm	max 700mA DC	4000K	III
UL3045NRRCWS99	Super Wide/60°	2W	240lm	178lm	max 700mA DC	4000K	III
UL3045NRRCOB199	Oval/15°x60°	2W	240lm	199lm	max 700mA DC	4000K	III
UL3045NRRCVS99	Diffuse/120°	2W	240lm	28lm	max 700mA DC	4000K	III

Transparent extra-clear glass 6mm | VS = Opal Glass | Dimming: Remote DALI dimmable.

**Accessories** Information on accessories at the end of the chapter.

Inground polycarbonate framework H100xØ115  
ULDBOX03001

Driver DALI2 - 60W 700mA IP20 | L124xW80xH22  
ULETRA635700 - 1 Driver for 1-20 Lamps

Short aluminium framework H80xØ40  
ULDBOX03201

Driver - 60W 700mA IP20 | L124xW80xH22  
ULETRA636700 - 1 Driver for 1-20 Lamps

Cable 05RN-F 2x0,75 | 2M  
ULECAV540020

Driver ON/OFF - 20W 700mA IP67 | L120xW38xH25  
ULETRA553700 - 1 Driver for 1-8 Lamps

Cable 05RN-F 2x0,75 | 5M  
ULECAV540050

Driver DALI2 - 30W 700mA IP68 | L121xW53xH26  
ULETRA584700 - 1 Hub for 1-14 Lamps

Cable 05RN-F 2x0,75 | 10M  
ULECAV540100

Hub 700mA IP66 - ON/OFF con driver 60W IP20  
L235xW200xH92  
ULHUB700001IND - 1 Driver for 1-8 Lamps

IP68 Connector 2ways/2Poles 2x1mm<sup>2</sup>  
ULMOR682P2V

Hub 700mA IP66 - DALI2 con driver 60W IP20  
L235xW200xH92

Driver ON/OFF - 20W 700mA IP20 | L111xW52xH22  
ULETRA621700 - 1 Driver for 1-8 Lamps

ULHUB700001DA2 - 1 Driver for 1-8 Lamps

Driver ON/OFF - 36W 700mA IP20 | L163xW30xH21  
ULETRA623700 - 1 Driver for 1-14 Lamps

Hub 700mA IP66 - con driver 60W IP20  
L235xW200xH92

Driver ON/OFF - 60W 700mA IP20 | L124xW80xH22  
ULETRA634700 - 1 Driver for 1-20 Lamps

ULHUB700001CA - 1 Driver for 1-8 Lamps

## RIM 45 PAINTED Ground recessed

UNOLUMEN®



Recessed with painted steel ferrule Ø45  
Remote driver 24Vdc



Code	Beam angle	Wattage	Source	Fixture	Input supply	CCT	CL
UL3045RHRRCCNB	Spot/15°	2W	170lm	130lm	24Vdc	2700K	III
UL3045RHRRCCMB	Flood/30°	2W	170lm	125lm	24Vdc	2700K	III
UL3045RHRRCCWB	Wide Flood/40°	2W	170lm	120lm	24Vdc	2700K	III
UL3045RHRRCCSW	Super Wide/60°	2W	170lm	122lm	24Vdc	2700K	III
UL3045RHRRCCOB1	Oval/15°x60°	2W	170lm	141lm	24Vdc	2700K	III
UL3045RHRRCCVS	Diffuse/120°	2W	170lm	18lm	24Vdc	2700K	III
UL3045RWRRCCNB	Spot/15°	2W	170lm	130lm	24Vdc	3000K	III
UL3045RWRRCCMB	Flood/30°	2W	170lm	125lm	24Vdc	3000K	III
UL3045RWRRCCWB	Wide Flood/40°	2W	170lm	120lm	24Vdc	3000K	III
UL3045RWRRCCSW	Super Wide/60°	2W	170lm	122lm	24Vdc	3000K	III
UL3045RWRRCCOB1	Oval/15°x60°	2W	170lm	141lm	24Vdc	3000K	III
UL3045RWRRCCVS	Diffuse/120°	2W	170lm	18lm	24Vdc	3000K	III
UL3045RNRRCCNB	Spot/15°	2W	190lm	150lm	24Vdc	4000K	III
UL3045RNRRCCMB	Flood/30°	2W	190lm	145lm	24Vdc	4000K	III
UL3045RNRRCCWB	Wide Flood/40°	2W	190lm	140lm	24Vdc	4000K	III
UL3045RNRRCCSW	Super Wide/60°	2W	190lm	139lm	24Vdc	4000K	III
UL3045RNRRCCOB1	Oval/15°x60°	2W	190lm	158lm	24Vdc	4000K	III
UL3045RNRRCCVS	Diffuse/120°	2W	190lm	20lm	24Vdc	4000K	III

Transparent extra-clear glass 6mm | VS = Opal Glass | Dimming: Not dimmable.

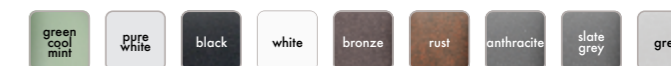
**Accessories** Information on accessories at the end of the chapter.

Inground polycarbonate framework H100xØ115 ULDBOX03001	Driver ON/OFF - 15W 24Vdc IP20   L106xW33xH22 ULETRA631 - 1 Driver for 1-5 Lamps
Short aluminium framework H80xØ40 ULDBOX03201	Driver ON/OFF - 70W 24Vdc IP20   L124xW80xH22 ULETRA632 - 1 Driver for 1-25 Lamps
Cable 05RN-F 2x0,75   2M ULECAV540020	Driver ON/OFF - 25W 24Vdc IP67   L148xW40xH32 ULETRA577 - 1 Driver for 1-8 Lamps
Cable 05RN-F 2x0,75   5M ULECAV540050	Driver ON/OFF - 100W 24Vdc IP67   L140xW63xH32 ULETRA579 - 1 Driver for 9-30 Lamps
Cable 05RN-F 2x0,75   10M ULECAV540100	Hub 24Vdc IP66 - ON/OFF con driver 70W L235xW200xH92 ULHUB24V001IND - 1 Hub for 1-8 Lamps
IP68 Connector 2ways/2Poles 2x1mm <sup>2</sup> ULMOR682P2V	

## RIM 45 PAINTED Ground recessed



Recessed with painted steel ferrule Ø45  
Remote driver max 700mA DC



Code	Beam angle	Wattage	Source	Fixture	Input supply	CCT	CL
UL3045RHRRCCNB	Spot/15°	2W	220lm	170lm	max 700mA DC	2700K	III
UL3045RHRRCCMB	Flood/30°	2W	220lm	162lm	max 700mA DC	2700K	III
UL3045RHRRCCWB	Wide Flood/40°	2W	220lm	168lm	max 700mA DC	2700K	III
UL3045RHRRCCSW	Super Wide/60°	2W	220lm	170lm	max 700mA DC	2700K	III
UL3045RHRRCCOB1	Oval/15°x60°	2W	220lm	182lm	max 700mA DC	2700K	III
UL3045RHRRCCVS	Diffuse/120°	2W	220lm	25lm	max 700mA DC	2700K	III
UL3045RWRRCCNB	Spot/15°	2W	220lm	170lm	max 700mA DC	3000K	III
UL3045RWRRCCMB	Flood/30°	2W	220lm	162lm	max 700mA DC	3000K	III
UL3045RWRRCCWB	Wide Flood/40°	2W	220lm	168lm	max 700mA DC	3000K	III
UL3045RWRRCCSW	Super Wide/60°	2W	220lm	170lm	max 700mA DC	3000K	III
UL3045RWRRCCOB1	Oval/15°x60°	2W	220lm	182lm	max 700mA DC	3000K	III
UL3045RWRRCCVS	Diffuse/120°	2W	220lm	25m	max 700mA DC	3000K	III
UL3045RNRRCCNB	Spot/15°	2W	240lm	188lm	max 700mA DC	4000K	III
UL3045RNRRCCMB	Flood/30°	2W	240lm	183lm	max 700mA DC	4000K	III
UL3045RNRRCCWB	Wide Flood/40°	2W	240lm	180lm	max 700mA DC	4000K	III
UL3045RNRRCCSW	Super Wide/60°	2W	240lm	178lm	max 700mA DC	4000K	III
UL3045RNRRCCOB1	Oval/15°x60°	2W	240lm	199lm	max 700mA DC	4000K	III
UL3045RNRRCCVS	Diffuse/120°	2W	240lm	28lm	max 700mA DC	4000K	III

Transparent extra-clear glass 6mm | VS = Opal Glass | Dimming: Remote DALI dimmable.

**Accessories** Information on accessories at the end of the chapter.

Inground H100xØ115 ULDBOX03001	Driver DALI2 - 60W 700mA IP20   L124xW80xH22 ULETRA635700 - 1 Driver for 1-20 Lamps
Short H80xØ40 ULDBOX03201	Driver - 60W 700mA IP20   L124xW80xH22 ULETRA636700 - 1 Driver for 1-20 Lamps
Cable 05RN-F 2x0,75   2M ULECAV540020	Driver ON/OFF - 20W 700mA IP67   L120xW38xH25 ULETRA553700 - 1 Driver for 1-8 Lamps
Cable 05RN-F 2x0,75   5M ULECAV540050	Driver DALI2 - 30W 700mA IP68   L121xW53xH26 ULETRA584700 - 1 Hub for 1-14 Lamps
Cable 05RN-F 2x0,75   10M ULECAV540100	Hub 700mA IP66 - ON/OFF con driver 60W IP20 L235xW200xH92 ULHUB700001IND - 1 Driver for 1-8 Lamps
IP68 Connector 2ways/2Poles 2x1mm <sup>2</sup> ULMOR682P2V	Hub 700mA IP66 - DALI2 con driver 60W IP20 L235xW200xH92 ULHUB700001DA2 - 1 Driver for 1-8 Lamps
Driver ON/OFF - 20W 700mA IP20   L111xW52xH22 ULETRA621700 - 1 Driver for 1-8 Lamps	Hub 700mA IP66 - con driver 60W IP20 L235xW200xH92 ULHUB700001CA - 1 Driver for 1-8 Lamps
Driver ON/OFF - 36W 700mA IP20   L163xW30xH21 ULETRA623700 - 1 Driver for 1-14 Lamps	
Driver ON/OFF - 60W 700mA IP20   L124xW80xH22 ULETRA634700 - 1 Driver for 1-20 Lamps	

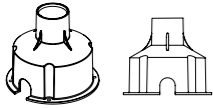
# Accessories

Rim 45 / Rim 45 painted

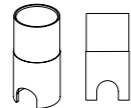
UNOLUMEN®

Accessories Rim 45 / Rim 45 painted

## RECESSED BOXES



Inground polycarbonate framework  
H110xØ135  
ULABOX01901



Short aluminium framework H100xØ60  
ULDBOX03301

## CONNECTION



Cavo/Cable 05RN-F 2x0,75 - 2mt  
ULECAV540020

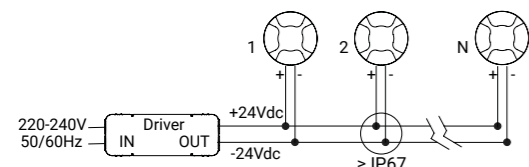
Cavo/Cable 05RN-F 2x0,75 - 5mt  
ULECAV540050

Cavo/Cable 05RN-F 2x0,75 - 10mt  
ULECAV540100



IP68 Connector 2ways/2poles - 2x1mm<sup>2</sup>  
ULMOR682P2V

## DRIVER / ELECTRONICS Constant voltage 24Vdc



Collegamento in Parallelo  
Parallel Wiring



Driver 15W 24Vdc IP20 - ON/OFF  
L106xW33xH22  
ULETRA631

1 Driver for 1-5 Lamps



Driver 70W 24Vdc IP20 - ON/OFF  
L124xW80xH22  
ULETRA632

1 Hub for 1-25 Lamps



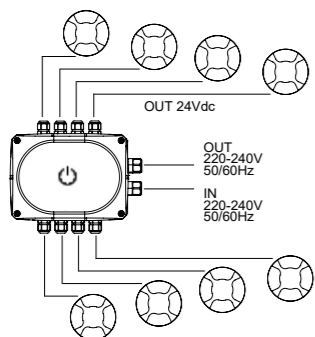
Driver 25W 24Vdc IP67 - ON/OFF  
L148xW40xH32  
ULETRA577

1 Driver for 1-8 Lamps



Driver 100W 24Vdc IP67 - ON/OFF  
L140xW63xH32  
ULETRA579

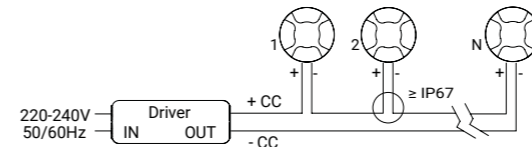
1 Driver for 9-30 Lamps



Hub 24Vdc IP66 - ON/OFF con driver 70W  
L235xW200xH92  
ULHUB24V001IND

1 Hub for 1-8 Lamps

## DRIVER / ELECTRONICS Constant current 700mA



Collegamento in Serie  
Series Wiring



Driver 20W 700mA IP20 - ON/OFF  
L111xW52xH22  
ULETRA621700

1 Driver for 1-8 Lamps



Driver 36W 700mA IP20 - ON/OFF  
L163xW30xH21  
ULETRA623700

1 Driver for 1-14 Lamps



Driver 60W 700mA IP20 - ON/OFF  
L124xW80xH22  
ULETRA634700

1 Driver for 1-20 Lamps



Driver 60W 700mA IP20 - DALI2  
L124xW80xH22  
ULETRA635700

1 Driver for 1-20 Lamps



Driver 60W 700mA IP20 - DALI2  
L124xW80xH22  
ULETRA636700

1 Driver for 1-20 Lamps



Driver 20W 700mA IP67 - ON/OFF  
L120xW38xH25  
ULETRA553700

1 Driver for 1-8 Lamps



Driver 30W 700mA IP68 - DALI2  
L121xW53xH26  
ULETRA584700

1 Driver for 1-14 Lamps



HUB diagrams



Hub 700mA IP66 - ON/OFF con driver 60W IP20  
L235xW200xH92  
ULHUB700001IND

1 Hub for 1-8 Lamps



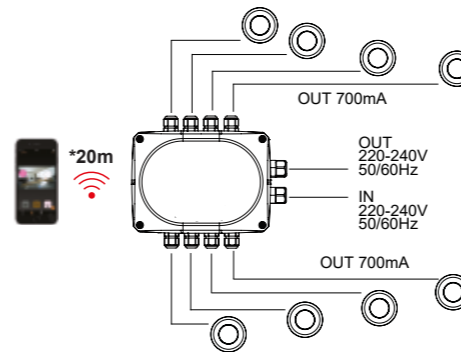
Hub 700mA IP66 - DALI2 con driver 60W IP20  
L235xW200xH92  
ULHUB700001DA2

1 Hub for 1-8 Lamps



Hub 700mA IP66 - con driver 60W IP20  
L235xW200xH92  
ULHUB700001CA

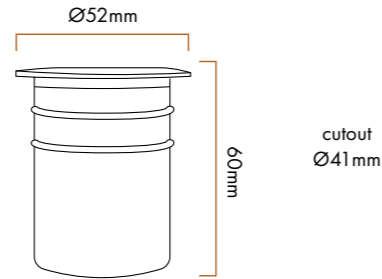
1 Hub for 1-8 Lamps



# York 52

Ground recessed

Compact IP67 corrosion resistant recessed structure with uniform light output











Color



## Features

Material: Stainless steel + tempered glass+ High purity aluminium

High class SS316 material provides corrosion resistance

Beam Angle 10° | 15° | 21° | 40° | 60°

CCT: 2700K | 3000K | 4000K

Standard CRI ≥80; CRI ≥90 is optional

IP67 waterproof Industrial rated silicon gasket, suitable for all weather conditions

12V DC | 24 DC with a non-dimmable remote on/off driver

Quick-plug connection available on request

Supplied with cable of 2x0.5m & installation sleeve

Code	Wattage	Lumen efficiency	CCT	Beam angle
ULILYO23040	2W	100lm/W	3000K	40°
ULILYO33040	3W	100lm/W	3000K	40°



## Accessories

Quick plug connection  
ULILYOxyzz-QP

## Optional versions

CRI ≥90  
ULILYOxyzz-CRI90



- x** = selection of wattage
- yy** = selection of color temperature
- zz** = selection of beam angle

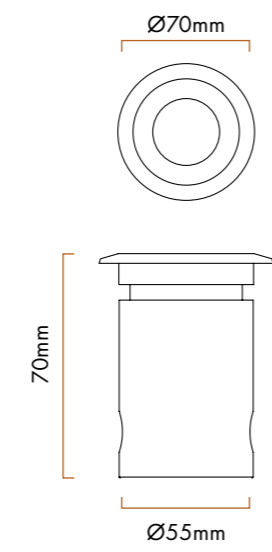


UNOLUMEN®

# Rim 70 / Rim 70 painted

Ground recessed

Mini recessed light



**Rim 70**

**Rim 70 painted**

Stainless steel frame

Stainless steel painted frame

- NB 10° Narrow beam
- MB 24° Medium beam
- WB 36° Large beam
- SW 60° Super Wide beam
- OBI 15°x55° Oval beam
- VS 120° Diffuse beam

**Constant voltage (Vdc)**  
6W REMOTE DRIVER 24Vdc

**Constant current (mA)**  
6W REMOTE DRIVER max 500mA DC



## Features

- Assembly/Usage: Inground or wall recessed

---

- Body: Anticorodal turning aluminum 6000 Serie, for greater corrosion resistance

---

- Box: Polypropylene (PP)30% fiber UVstabilized GWT750

---

- Frame: Stainless Steel AISI316L

---

- CCT: 2700K | 3000K | 4000K

---

- Screen: Opal glass. Transparent extra-clear glass 8mm

---

- Seals: Closed-cell EPDM rubber

---

- Screws: Anti-corrosive UV stabilised polyester powder



## RIM 70 Ground recessed

UNOLUMEN®



Recessed with steel ferrule Ø70  
Remote driver 24Vdc



Code	Beam angle	Wattage	Source	Fixture	Input supply	CCT	CL
UL3070HRRCNB99	Spot/10°	6W	690 lm	520 lm	24Vdc	2700K	III
UL3070HRRCMB99	Flood/24°	6W	690 lm	510 lm	24Vdc	2700K	III
UL3070HRRCWB99	Wide Flood/36°	6W	690 lm	505 lm	24Vdc	2700K	III
UL3070HRRC SW99	Super Wide/60°	6W	690 lm	508 lm	24Vdc	2700K	III
UL3070HRRCOB99	Oval/15°x55°	6W	690 lm	554 lm	24Vdc	2700K	III
UL3070HRRCVS99	Diffuse/120°	6W	690 lm	70 lm	24Vdc	2700K	III
UL3070WRRCNB99	Spot/10°	6W	690 lm	520 lm	24Vdc	3000K	III
UL3070WRRCMB99	Flood/24°	6W	690 lm	510 lm	24Vdc	3000K	III
UL3070WRRCWB99	Wide Flood/36°	6W	690 lm	505 lm	24Vdc	3000K	III
UL3070WRRC SW99	Super Wide/60°	6W	690 lm	508 lm	24Vdc	3000K	III
UL3070WRRCOB199	Oval/15°x55°	6W	690 lm	554 lm	24Vdc	3000K	III
UL3070WRRCVS99	Diffuse/120°	6W	690 lm	70 lm	24Vdc	3000K	III
UL3070NRRCNB99	Spot/10°	6W	750 lm	550 lm	24Vdc	4000K	III
UL3070NRRCMB99	Flood/24°	6W	750 lm	540 lm	24Vdc	4000K	III
UL3070NRRCWB99	Wide Flood/36°	6W	750 lm	535 lm	24Vdc	4000K	III
UL3070NRRC SW99	Super Wide/60°	6W	750 lm	534 lm	24Vdc	4000K	III
UL3070NRRCOB199	Oval/15°x55°	6W	750 lm	602 lm	24Vdc	4000K	III
UL3070NRRCVS99	Diffuse/120°	6W	750 lm	78 lm	24Vdc	4000K	III

Transparent extra-clear glass 8mm | VS = Opal Glass | Dimming: Not dimmable.

**Accessories** Information on accessories at the end of the chapter.

Inground polycarbonate framework H110xØ135  
ULABOX01901

Driver ON/OFF - 15W 24Vdc IP20 | L106xW33xH22  
ULETRA631 - 1 Driver for 1-2 Lamps

Short aluminium framework H100xØ60  
ULDBOX03301

Driver ON/OFF - 70W 24Vdc IP20 | L124xW80xH22  
ULETRA632 - 1 Driver for 1-10 Lamps

Cable 05RN-F 2x0,75 | 2M  
ULECAV540020

Driver ON/OFF - 25W 24Vdc IP67 | L148xW40xH32  
ULETRA577 - 1 Driver for 1-3 Lamps

Cable 05RN-F 2x0,75 | 5M  
ULECAV540050

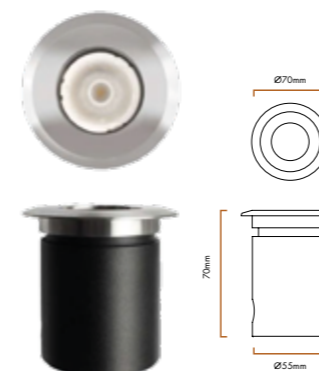
Driver ON/OFF - 100W 24Vdc IP67 | L140xW63xH32  
ULETRA579 - 1 Driver for 4-14 Lamps

Cable 05RN-F 2x0,75 | 10M  
ULECAV540100

Hub 24Vdc IP66 - ON/OFF con driver 70W  
L235xW200xH92  
ULHUB24V001IND - 1 Hub for 1-8 Lamps

IP68 Connector 2ways/2Poles 2x1mm<sup>2</sup>  
ULMOR682P2V

## RIM 70 Ground recessed



Recessed with steel ferrule Ø70  
Remote driver max 500mA DC



Code	Beam angle	Wattage	Source	Fixture	Input supply	CCT	CL
UL3070HRCCNB99	Spot/10°	6W	690 lm	520 lm	max 500mA DC	2700K	III
UL3070HRCCMB99	Flood/24°	6W	690 lm	510 lm	max 500mA DC	2700K	III
UL3070HRCCWB99	Wide Flood/36°	6W	690 lm	505 lm	max 500mA DC	2700K	III
UL3070HRCC SW99	Super Wide/60°	6W	690 lm	508 lm	max 500mA DC	2700K	III
UL3070HRCCOB99	Oval/15°x55°	6W	690 lm	554 lm	max 500mA DC	2700K	III
UL3070HRCCVS99	Diffuse/120°	6W	690 lm	70 lm	max 500mA DC	2700K	III
UL3070WRCCNB99	Spot/10°	6W	690 lm	520 lm	max 500mA DC	3000K	III
UL3070WRCCMB99	Flood/24°	6W	690 lm	510 lm	max 500mA DC	3000K	III
UL3070WRCCWB99	Wide Flood/36°	6W	690 lm	505 lm	max 500mA DC	3000K	III
UL3070WRCC SW99	Super Wide/60°	6W	690 lm	508 lm	max 500mA DC	3000K	III
UL3070WRCCOB199	Oval/15°x55°	6W	690 lm	554 lm	max 500mA DC	3000K	III
UL3070WRCCVS99	Diffuse/120°	6W	690 lm	70 lm	max 500mA DC	3000K	III
UL3070NRCCNB99	Spot/10°	6W	750 lm	550 lm	max 500mA DC	4000K	III
UL3070NRCCMB99	Flood/24°	6W	750 lm	540 lm	max 500mA DC	4000K	III
UL3070NRCCWB99	Wide Flood/36°	6W	750 lm	535 lm	max 500mA DC	4000K	III
UL3070NRCC SW99	Super Wide/60°	6W	750 lm	534 lm	max 500mA DC	4000K	III
UL3070NRCCOB199	Oval/15°x55°	6W	750 lm	602 lm	max 500mA DC	4000K	III
UL3070NRCCVS99	Diffuse/120°	6W	750 lm	78 lm	max 500mA DC	4000K	III

Transparent extra-clear glass 8mm | VS = Opal Glass | Dimming: Remote DALI dimmable.

**Accessories** Information on accessories at the end of the chapter.

Inground polycarbonate framework H110xØ135  
ULABOX01901

Driver DALI2 - 60W 500mA IP20 | L124xW80xH22  
ULETRA635500 - 1 Driver for 1-5 Lamps

Short aluminium framework H100xØ60  
ULDBOX03301

Driver - 60W 500mA IP20 | L124xW80xH22  
ULETRA636500 - 1 Driver for 1-5 Lamps

Cable 05RN-F 2x0,75 | 2M  
ULECAV540020

Driver ON/OFF - 20W 500mA IP67 | L120xW38xH25  
ULETRA553500 - 1 Driver for 1-3 Lamps

Cable 05RN-F 2x0,75 | 5M  
ULECAV540050

Driver DALI2 - 30W 500mA IP68 | L121xW53xH26  
ULETRA584500 - 1 Hub for 1-3 Lamps

Cable 05RN-F 2x0,75 | 10M  
ULECAV540100

Hub 500mA IP66 - ON/OFF con driver 60W IP20  
L235xW200xH92  
ULHUB500001IND - 1 Driver for 1-5 Lamps

IP68 Connector 2ways/2Poles 2x1mm<sup>2</sup>  
ULMOR682P2V

Hub 500mA IP66 - DALI2 con driver 60W IP20  
L235xW200xH92

Driver ON/OFF - 20W 500mA IP20 | L111xW52xH22  
ULETRA621500 - 1 Driver for 1-3 Lamps

ULHUB500001DA2 - 1 Driver for 1-5 Lamps

Driver ON/OFF - 36W 500mA IP20 | L163xW30xH21  
ULETRA623500 - 1 Driver for 1-4 Lamps

Hub 500mA IP66 - con driver 60W IP20  
L235xW200xH92  
ULHUB500001CA - 1 Driver for 1-5 Lamps

Driver ON/OFF - 60W 500mA IP20 | L124xW80xH22  
ULETRA634500 - 1 Driver for 1-5 Lamps

## RIM 70 PAINTED Ground recessed

UNOLUMEN®



Recessed with painted steel ferrule Ø70  
Remote driver 24Vdc



Code	Beam angle	Wattage	Source	Fixture	Input supply	CCT	CL
UL3070RHRRCCNB	Spot/10°	6W	690 lm	520 lm	24Vdc	2700K	III
UL3070RHRRCCMB	Flood/24°	6W	690 lm	510 lm	24Vdc	2700K	III
UL3070RHRRCCWB	Wide Flood/36°	6W	690 lm	505 lm	24Vdc	2700K	III
UL3070RHRRCCSW	Super Wide/60°	6W	690 lm	508 lm	24Vdc	2700K	III
UL3070RHRRCCOB	Oval/15°x55°	6W	690 lm	554 lm	24Vdc	2700K	III
UL3070RHRRCCVS	Diffuse/120°	6W	690 lm	70 lm	24Vdc	2700K	III
UL3070WRRCNB	Spot/10°	6W	690 lm	520 lm	24Vdc	3000K	III
UL3070WRRCMB	Flood/24°	6W	690 lm	510 lm	24Vdc	3000K	III
UL3070WRRCWB	Wide Flood/36°	6W	690 lm	505 lm	24Vdc	3000K	III
UL3070WRRCSW	Super Wide/60°	6W	690 lm	508 lm	24Vdc	3000K	III
UL3070WRRCOBI	Oval/15°x55°	6W	690 lm	554 lm	24Vdc	3000K	III
UL3070WRRCVS	Diffuse/120°	6W	690 lm	70 lm	24Vdc	3000K	III
UL3070NRRCNB	Spot/10°	6W	750 lm	550 lm	24Vdc	4000K	III
UL3070NRRCMB	Flood/24°	6W	750 lm	540 lm	24Vdc	4000K	III
UL3070NRRCWB	Wide Flood/36°	6W	750 lm	535 lm	24Vdc	4000K	III
UL3070NRRCSW	Super Wide/60°	6W	750 lm	534 lm	24Vdc	4000K	III
UL3070NRRCOBI	Oval/15°x55°	6W	750 lm	602 lm	24Vdc	4000K	III
UL3070NRRCVS	Diffuse/120°	6W	750 lm	78 lm	24Vdc	4000K	III

Transparent extra-clear glass 8mm | VS = Opal Glass | Dimming: Not dimmable.

**Accessories** Information on accessories at the end of the chapter.

Inground polycarbonate framework H110xØ135  
ULABOX01901

Driver ON/OFF - 15W 24Vdc IP20 | L106xW33xH22  
ULETRA631 - 1 Driver for 1-2 Lamps

Short aluminium framework H100xØ60  
ULDBOX03301

Driver ON/OFF - 70W 24Vdc IP20 | L124xW80xH22  
ULETRA632 - 1 Driver for 1-10 Lamps

Cable 05RN-F 2x0,75 | 2M  
ULECAV540020

Driver ON/OFF - 25W 24Vdc IP67 | L148xW40xH32  
ULETRA577 - 1 Driver for 1-3 Lamps

Cable 05RN-F 2x0,75 | 5M  
ULECAV540050

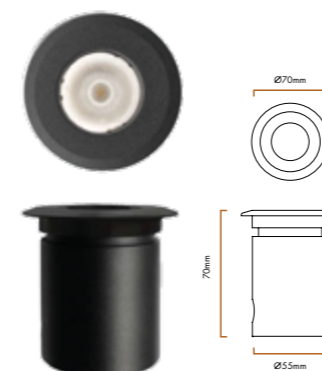
Driver ON/OFF - 100W 24Vdc IP67 | L140xW63xH32  
ULETRA579 - 1 Driver for 4-14 Lamps

Cable 05RN-F 2x0,75 | 10M  
ULECAV540100

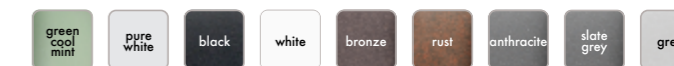
Hub 24Vdc IP66 - ON/OFF con driver 70W  
L235xW200xH92  
ULHUB24V001IND - 1 Hub for 1-8 Lamps

IP68 Connector 2ways/2Poles 2x1mm<sup>2</sup>  
ULMOR682P2V

## RIM 70 PAINTED Ground recessed



Recessed with painted steel ferrule Ø70  
Remote driver max 500mA DC



Code	Beam angle	Wattage	Source	Fixture	Input supply	CCT	CL
UL3070RHRRCCNB	Spot/10°	6W	690 lm	520 lm	24Vdc	2700K	III
UL3070RHRRCCMB	Flood/24°	6W	690 lm	510 lm	max 500mA DC	2700K	III
UL3070RHRRCCWB	Wide Flood/36°	6W	690 lm	505 lm	max 500mA DC	2700K	III
UL3070RHRRCCSW	Super Wide/60°	6W	690 lm	508 lm	max 500mA DC	2700K	III
UL3070RHRRCCOB	Oval/15°x55°	6W	690 lm	554 lm	max 500mA DC	2700K	III
UL3070RHRRCCVS	Diffuse/120°	6W	690 lm	70 lm	max 500mA DC	2700K	III
UL3070WRRCNB	Spot/10°	6W	690 lm	520 lm	max 500mA DC	3000K	III
UL3070WRRCMB	Flood/24°	6W	690 lm	510 lm	max 500mA DC	3000K	III
UL3070WRRCWB	Wide Flood/36°	6W	690 lm	505 lm	max 500mA DC	3000K	III
UL3070WRRCSW	Super Wide/60°	6W	690 lm	508 lm	max 500mA DC	3000K	III
UL3070WRRCOBI	Oval/15°x55°	6W	690 lm	554 lm	max 500mA DC	3000K	III
UL3070WRRCVS	Diffuse/120°	6W	690 lm	70 lm	max 500mA DC	3000K	III
UL3070NRRCNB	Spot/10°	6W	750 lm	550 lm	max 500mA DC	4000K	III
UL3070NRRCMB	Flood/24°	6W	750 lm	540 lm	max 500mA DC	4000K	III
UL3070NRRCWB	Wide Flood/36°	6W	750 lm	535 lm	max 500mA DC	4000K	III
UL3070NRRCSW	Super Wide/60°	6W	750 lm	534 lm	max 500mA DC	4000K	III
UL3070NRRCOBI	Oval/15°x55°	6W	750 lm	602 lm	max 500mA DC	4000K	III
UL3070NRRCVS	Diffuse/120°	6W	750 lm	78 lm	max 500mA DC	4000K	III

Transparent extra-clear glass 8mm | VS = Opal Glass | Dimming: Remote DALI dimmable.

**Accessories** Information on accessories at the end of the chapter.

Inground polycarbonate framework H110xØ135  
ULABOX01901

Driver DALI2 - 60W 500mA IP20 | L124xW80xH22  
ULETRA635500 - 1 Driver for 1-5 Lamps

Short aluminium framework H100xØ60  
ULDBOX03301

Driver - 60W 500mA IP20 | L124xW80xH22  
ULETRA636500 - 1 Driver for 1-5 Lamps

Cable 05RN-F 2x0,75 | 2M  
ULECAV540020

Driver ON/OFF - 20W 500mA IP67 | L120xW38xH25  
ULETRA553500 - 1 Driver for 1-3 Lamps

Cable 05RN-F 2x0,75 | 5M  
ULECAV540050

Driver DALI2 - 30W 500mA IP68 | L121xW53xH26  
ULETRA584500 - 1 Hub for 1-3 Lamps

Cable 05RN-F 2x0,75 | 10M  
ULECAV540100

Hub 500mA IP66 - ON/OFF con driver 60W IP20  
L235xW200xH92  
ULHUB500001IND - 1 Driver for 1-5 Lamps

IP68 Connector 2ways/2Poles 2x1mm<sup>2</sup>  
ULMOR682P2V

Hub 500mA IP66 - DALI2 con driver 60W IP20  
L235xW200xH92

Driver ON/OFF - 20W 500mA IP20 | L111xW52xH22  
ULETRA621500 - 1 Driver for 1-3 Lamps

ULHUB500001DA2 - 1 Driver for 1-5 Lamps

Driver ON/OFF - 36W 500mA IP20 | L163xW30xH21  
ULETRA623500 - 1 Driver for 1-4 Lamps

Hub 500mA IP66 - con driver 60W IP20  
L235xW200xH92  
ULHUB500001ICA - 1 Driver for 1-5 Lamps

Driver ON/OFF - 60W 500mA IP20 | L124xW80xH22  
ULETRA634500 - 1 Driver for 1-5 Lamps



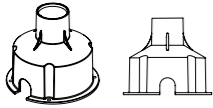
# Accessories

Rim 70 / Rim 70 painted

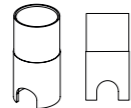
UNOLUMEN®

Accessories Rim 70 / Rim 70 painted

## RECESSED BOXES

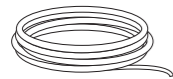


Inground polycarbonate framework  
H110xØ135  
ULABOX01901



Short aluminum framework  
H100xØ60  
ULDBOX03301

## CONNECTION



Cavo/Cable 05RN-F 2x0,75 - 2mt  
ULECAV540020

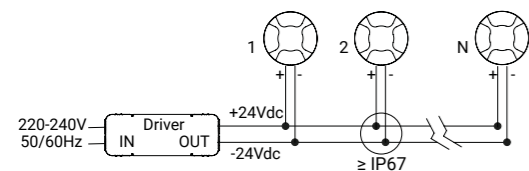
Cavo/Cable 05RN-F 2x0,75 - 5mt  
ULECAV540050

Cavo/Cable 05RN-F 2x0,75 - 10mt  
ULECAV540100



IP68 Connector 2ways/2poles - 2x1mm<sup>2</sup>  
ULMOR682P2V

## DRIVER / ELECTRONICS Constant voltage 24Vdc



Collegamento in Parallelo  
Parallel Wiring



Driver 15W 24Vdc IP20 - ON/OFF  
L106xW33xH22  
ULETRA631

1 Driver for 1-2 Lamps



Driver 70W 24Vdc IP20 - ON/OFF  
L124xW80xH22  
ULETRA632

1 Hub for 1-10 Lamps



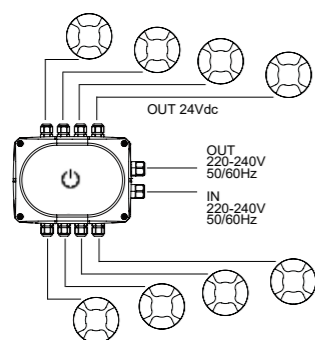
Driver 25W 24Vdc IP67 - ON/OFF  
L148xW40xH32  
ULETRA577

1 Driver for 1-3 Lamps



Driver 100W 24Vdc IP67 - ON/OFF  
L140xW63xH32  
ULETRA579

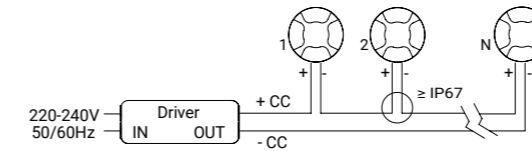
1 Driver for 4-14 Lamps



Hub 24Vdc IP66 - ON/OFF con driver 70W  
L235xW200xH92  
ULHUB24V001IND

1 Hub for 1-8 Lamps

## DRIVER / ELECTRONICS Constant current 500mA



Collegamento in Serie  
Series Wiring



Driver 20W 500mA IP20 - ON/OFF  
L111xW52xH22  
ULETRA621500

1 Driver for 1-3 Lamps



Driver 36W 500mA IP20 - ON/OFF  
L163xW30xH21  
ULETRA623500

1 Driver for 1-4 Lamps



Driver 60W 500mA IP20 - ON/OFF  
L124xW80xH22  
ULETRA634500

1 Driver for 1-5 Lamps



Driver 60W 500mA IP20 - DALI2  
L124xW80xH22  
ULETRA635500

1 Driver for 1-5 Lamps



Driver 60W 500mA IP20 - CASAMBI  
L124xW80xH22  
ULETRA636500

1 Driver for 1-5 Lamps



Driver 20W 500mA IP67 - ON/OFF  
L120xW38xH25  
ULETRA553500

1 Driver for 1-3 Lamps



Driver 30W 500mA IP68 - DALI2  
L121xW53xH26  
ULETRA584500

1 Driver for 1-3 Lamps



HUB diagrams.



Hub 500mA IP66 - ON/OFF con driver 60W IP20  
L235xW200xH92  
ULHUB500001IND

1 Hub for 1-5 Lamps



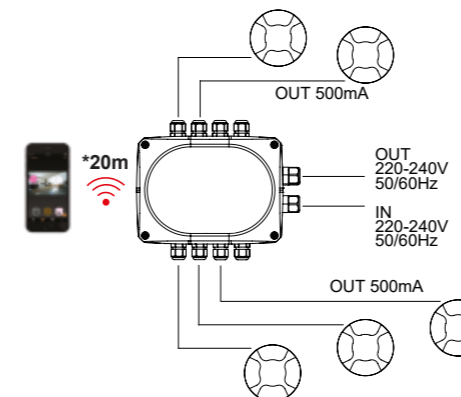
Hub 500mA IP66 - DALI2 con driver 60W IP20  
L235xW200xH92  
ULHUB500001DA2

1 Hub for 1-5 Lamps



Hub 500mA IP66 - CASAMBI con driver 60W IP20  
L235xW200xH92  
ULHUB500001CA

1 Hub for 1-5 Lamps



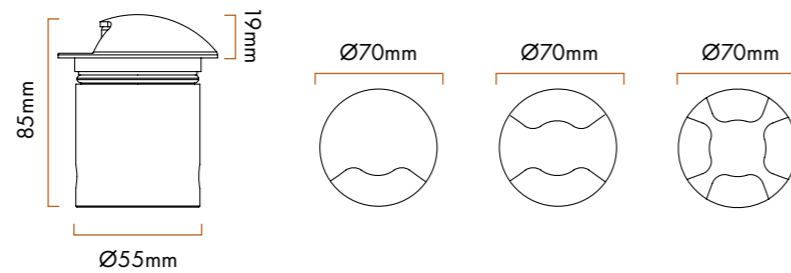
# Zeus 70

Ground recessed

Technology and light performance



- 1L 1 window
- 2L 2 windows
- 4L 3 windows



## Constant voltage (Vdc)

6W REMOTE DRIVER 24Vdc

## Constant current (mA)

6W REMOTE DRIVER max 500mA DC



## Features

Assembly/Usage: Inground or wall recessed

Body: Anticorodal turning aluminum 6000 Serie, for greater corrosion resistance

Box: Polypropylene (PP) 30% fiber UVStabilized GWT750

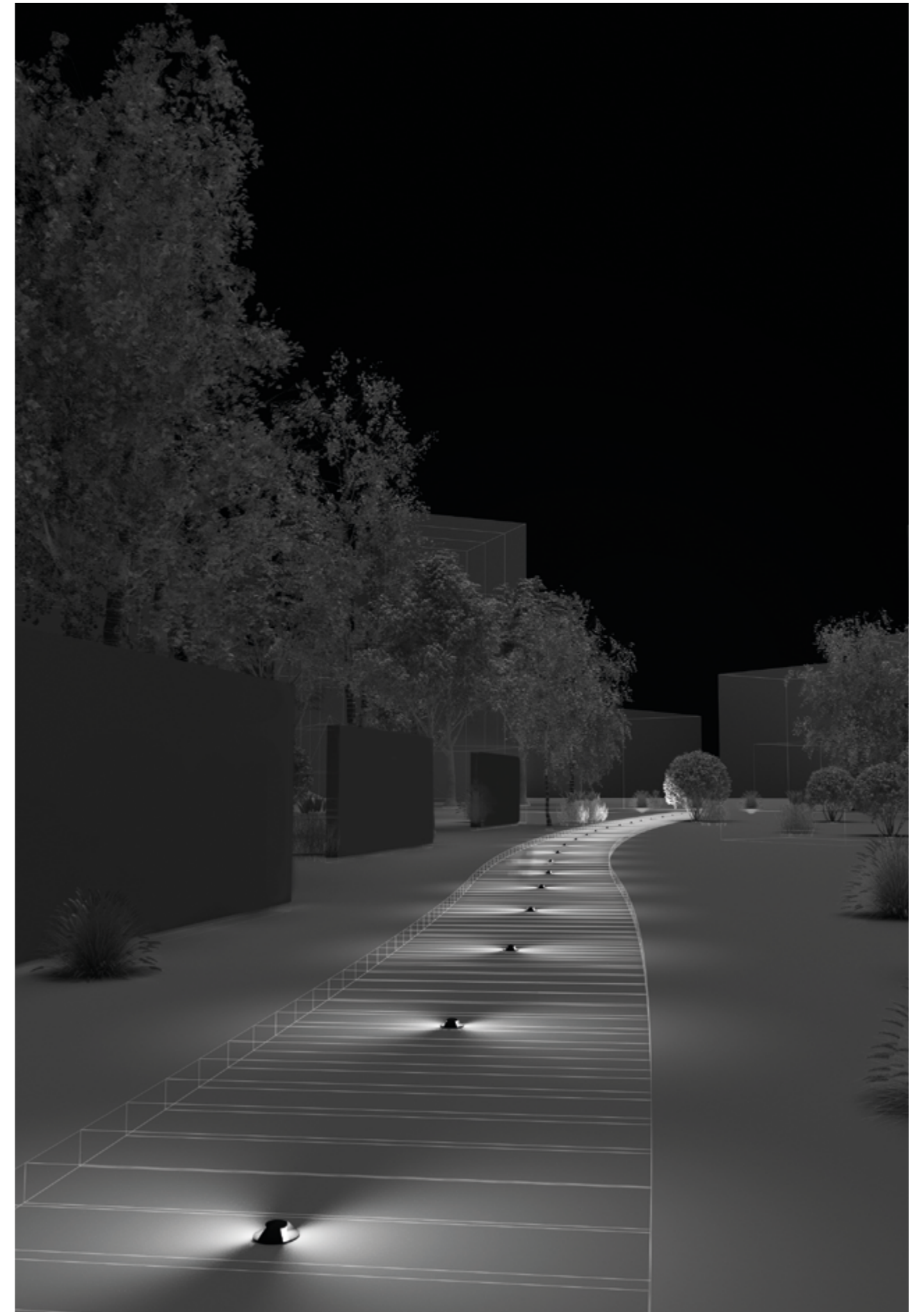
CCT: 2700K | 3000K | 4000K

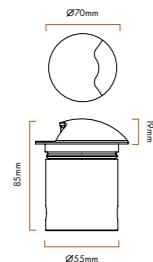
Frame: Stainless Steel AISI316L

Screen: Transparent extra-clear glass 15mm

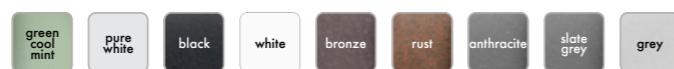
Seals: Expanded silicone - moulded silicone

Screws: Stainless steel with anti-corrosion devices



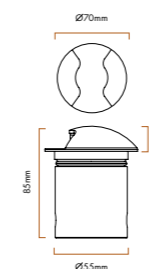


Recessed 1 window Ø70 -Remote driver 24Vdc

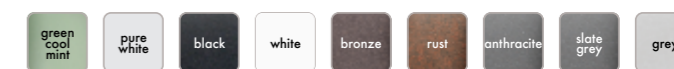


Code	Beam angle	Wattage	Source	Fixture	Input supply	CCT	CL
UL4070RHRRCL	Diffused 1 window	6W	690 lm	41lm	24Vdc	2700K	III
UL4070WRRCCL	Diffused 1 window	6W	690 lm	41lm	24Vdc	3000K	III
UL4070RNRRCL	Diffused 1 window	6W	750 lm	45lm	24Vdc	4000K	III

Transparent Polycarbonate | Dimming: Not dimmable

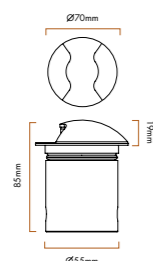


Recessed 4 windows Ø70 -Remote driver 24Vdc

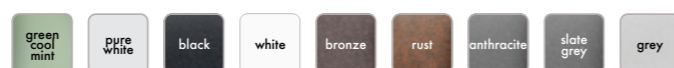


Code	Beam	Wattage	Source	Fixture	Input supply	CCT	CL
UL4070RHRRCL2L	Diffused 4 windows	6W	690 lm	81lm	24Vdc	2700K	III
UL4070WRRCCL2L	Diffused 4 windows	6W	690 lm	81lm	24Vdc	3000K	III
UL4070RNRRCL2L	Diffused 4 windows	6W	750 lm	85lm	24Vdc	4000K	III

Transparent Polycarbonate | Dimming: Not dimmable



Recessed 2 windows Ø70 -Remote driver 24Vdc



Code	Beam angle	Wattage	Source	Fixture	Input supply	CCT	CL
UL4070RHRRCL2L	Diffused 2 windows	6W	690 lm	77lm	24Vdc	2700K	III
UL4070WRRCCL2L	Diffused 2 windows	6W	690 lm	77lm	24Vdc	3000K	III
UL4070RNRRCL2L	Diffused 2 windows	6W	750 lm	79lm	24Vdc	4000K	III

Transparent Polycarbonate | Dimming: Not dimmable

Accessories Information on accessories at the end of the chapter.

Inground polycarbonate framework H110xØ135  
ULABOX01901

Driver ON/OFF - 15W 24Vdc IP20 | L106xW33xH22  
ULETRA631 - 1 Driver for 1-2 Lamps

Short aluminium framework H100xØ60  
ULDBOX03301

Driver ON/OFF - 70W 24Vdc IP20 | L124xW80xH22  
ULETRA632 - 1 Driver for 1-10 Lamps

Cable 05RN-F 2x0,75 | 2M  
ULECAV540020

Driver ON/OFF - 25W 24Vdc IP67 | L148xW40xH32  
ULETRA577 - 1 Driver for 1-3 Lamps

Cable 05RN-F 2x0,75 | 5M  
ULECAV540050

Driver ON/OFF - 100W 24Vdc IP67 | L140xW63xH32  
ULETRA579 - 1 Driver for 4-14 Lamps

Cable 05RN-F 2x0,75 | 10M  
ULECAV540100

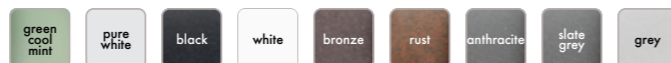
Hub 24Vdc IP66 - ON/OFF con driver 70W  
L235xW200xH92

IP68 Connector 2ways/2Poles 2x1mm²  
ULMOR682P2V

ULHUB24V001ND - 1 Hub for 1-8 Lamps



Recessed 1 window Ø70  
Remote driver max 500mA DC

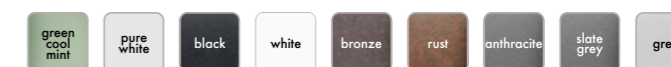


Code	Beam angle	Wattage	Source	Fixture	Input supply	CCT	CL
UL4070RHRCC1L	Diffused 1 window	6W	690 lm	41lm	max 500mA DC	2700K	III
UL4070WRCC1L	Diffused 1 window	6W	690 lm	41lm	max 500mA DC	3000K	III
UL4070RNRCC1L	Diffused 1 window	6W	750 lm	45lm	max 500mA DC	4000K	III

Transparent Polycarbonate | Dimming: Remote DALI dimmable



Recessed 4 windows Ø70  
Remote driver max 500mA DC

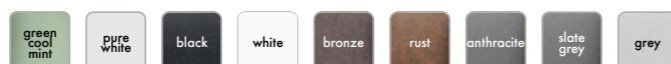


Code	Beam angle	Wattage	Source	Fixture	Input supply	CCT	CL
UL4070RHRCC4L	Diffused 4 windows	6W	690 lm	81lm	24Vdc	2700K	III
UL4070WRCC4L	Diffused 4 windows	6W	690 lm	81lm	24Vdc	3000K	III
UL4070RNRCC4L	Diffused 4 windows	6W	750 lm	85lm	24Vdc	4000K	III

Transparent Polycarbonate | Dimming: Remote DALI dimmable



Recessed 2 windows Ø70  
Remote driver max 500mA DC



Code	Beam angle	Wattage	Source	Fixture	Input supply	CCT	CL
UL4070RHRCC2L	Diffused 2 windows	6W	690 lm	77lm	max 500mA DC	2700K	III
UL4070WRCC2L	Diffused 2 windows	6W	690 lm	77lm	max 500mA DC	3000K	III
UL4070RNRCC2L	Diffused 2 windows	6W	750 lm	79lm	max 500mA DC	4000K	III

Transparent Polycarbonate | Dimming: Remote DALI dimmable

**Accessories** Information on accessories at the end of the chapter.

Inground polycarbonate framework H110xØ135  
ULABOX01901

Short aluminium framework H100xØ60  
ULDBOX03301

Cable 05RN-F 2x0,75 | 2M  
ULECAV540020

Cable 05RN-F 2x0,75 | 5M  
ULECAV540050

Cable 05RN-F 2x0,75 | 10M  
ULECAV540100

IP68 Connector 2ways/2Poles 2x1mm²  
ULMOR682P2V

Driver ON/OFF - 20W 500mA IP20 | L111xW52xH22  
ULETRA621500

Driver ON/OFF - 36W 500mA IP20 | L163xW30xH21  
ULETRA623500

Driver ON/OFF - 60W 500mA IP20 | L124xW80xH22  
ULETRA634500 - 1 Driver for 1-5 Lamps

Driver DALI2 - 60W 500mA IP20 | L124xW80xH22  
ULETRA635500 - 1 Driver for 1-5 Lamps

Driver - 60W 500mA IP20 | L124xW80xH22  
ULETRA636500 - 1 Driver for 1-5 Lamps

Driver ON/OFF - 20W 500mA IP67 | L120xW38xH25  
ULETRA553500 -1 Driver for 1-3 Lamps

Driver DALI2 - 30W 500mA IP68 | L121xW53xH26  
ULETRA584500 - 1 Hub for 1-3 Lamps

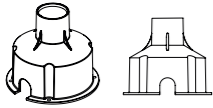
Hub 500mA IP66 - ON/OFF con driver 60W IP20  
L235xW200xH92  
ULHUB500001IND - 1 Driver for 1-5 Lamps

Hub 500mA IP66 - DALI2 con driver 60W IP20  
L235xW200xH92

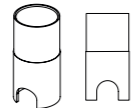
ULHUB500001DA2 - 1 Driver for 1-5 Lamps

Hub 500mA IP66 - con driver 60W IP20  
L235xW200xH92  
ULHUB500001ICA - 1 Hub for 1-5 Lamps

## RECESSED BOXES

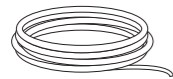


Inground polycarbonate framework  
H110xØ135  
ULABOX01901



Short aluminum framework  
H100xØ60  
ULDBOX03301

## CONNECTION



Cavo/Cable 05RN-F 2x0,75 - 2mt  
ULECAV540020

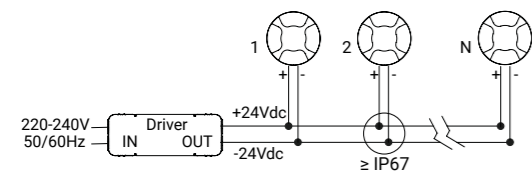
Cavo/Cable 05RN-F 2x0,75 - 5mt  
ULECAV540050

Cavo/Cable 05RN-F 2x0,75 - 10mt  
ULECAV540100



IP68 Connector 2ways/2poles - 2x1mm<sup>2</sup>  
ULMOR682P2V

## DRIVER / ELECTRONICS Constant voltage 24Vdc



Collegamento in Parallelo  
Parallel Wiring



Driver 15W 24Vdc IP20 - ON/OFF  
L106xW33xH22  
ULETRA631

1 Driver for 1-2 Lamps



Driver 70W 24Vdc IP20 - ON/OFF  
L124xW80xH22  
ULETRA632

1 Hub for 1-10 Lamps



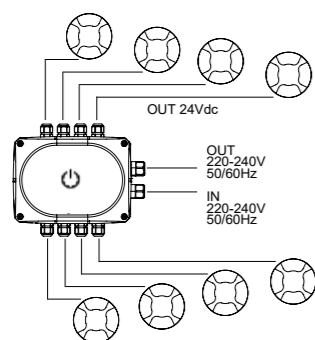
Driver 25W 24Vdc IP67 - ON/OFF  
L148xW40xH32  
ULETRA577

1 Driver for 1-3 Lamps



Driver 100W 24Vdc IP67 - ON/OFF  
L140xW63xH32  
ULETRA579

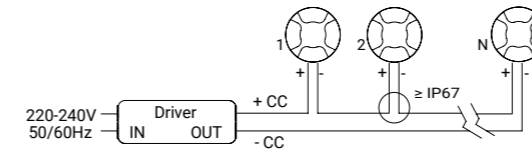
1 Driver for 4-14 Lamps



Hub 24Vdc IP66 - ON/OFF con driver 70W  
L235xW200xH92  
ULHUB24V00IND

1 Hub for 1-8 Lamps

## DRIVER / ELECTRONICS Constant current 500mA



Collegamento in Serie  
Series Wiring



Driver 20W 500mA IP20 - ON/OFF  
L111xW52xH22  
ULETRA621500

1 Driver for 1-3 Lamps



Driver 36W 500mA IP20 - ON/OFF  
L163xW30xH21  
ULETRA623500

1 Driver for 1-4 Lamps



Driver 60W 500mA IP20 - ON/OFF  
L124xW80xH22  
ULETRA634500

1 Driver for 1-5 Lamps



Driver 60W 500mA IP20 - DALI2  
L124xW80xH22  
ULETRA635500

1 Driver for 1-5 Lamps



Driver 60W 500mA IP20 - CASAMBI  
L124xW80xH22  
ULETRA636500

1 Driver for 1-5 Lamps



Driver 20W 500mA IP67 - ON/OFF  
L120xW38xH25  
ULETRA553500

1 Driver for 1-3 Lamps



Driver 30W 500mA IP68 - DALI2  
L121xW53xH26  
ULETRA584500

1 Driver for 1-3 Lamps



HUB diagrams.



Hub 500mA IP66 - ON/OFF con driver 60W IP20  
L235xW200xH92  
ULHUB50000IND

1 Hub for 1-5 Lamps



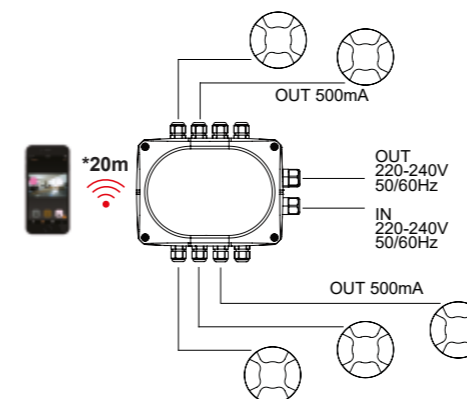
Hub 500mA IP66 - DALI2 con driver 60W IP20  
L235xW200xH92  
ULHUB50000IDA2

1 Hub for 1-5 Lamps



Hub 500mA IP66 - con driver 60W IP20  
L235xW200xH92  
ULHUB50000ICA

1 Hub for 1-5 Lamps



# Torino 80

Ground recessed

Compact IP67 corrosion resistant recessed structure with uniform light output



Color



## Features

Material: Stainless steel + tempered glass+ high purity aluminium

Corrosion resistance due to high class SS316 bezel

Standard CRI ≥80; CRI ≥90 is optional

Beam Angle 10° | 15° | 21° | 40° | 60°

CCT: 3000K standard; 2700K | 4000K | RGBW available on request

IP67 waterproof Industrial rated silicon gasket, suitable for all weather conditions

12V DC | 24 DC with a non-dimmable remote on/off driver

Quick-plug connection/DALI available on request

Supplied with cable of 2x0.5m & installation sleeve

Code	Wattage	Beam angle	Luminaire efficacy	CCT
ULILTO72430	7W	24°	120lm/W	3000K
ULILTO92430	9W	24°	120lm/W	3000K



## Optional versions

### Accessories

Quick plug connection  
ULILTOxyzz-QP

DALI Dimming  
ULILTOxyzz-DALI

CRI ≥90  
ULILTOxyzz-CRI90



**x** = selection of wattage

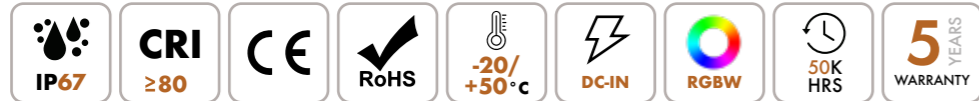
**yy** = selection of beam angle

**zz** = selection of color temperature

# Zia 160

Ground recessed

Compact IP67 recessed structure with uniform light output



Color



## Features

High class 1070 aluminium body provides high efficiency thermolysis

Beam Angle 8°/15°/30°/40°/60°

Elegant design with stainless steel trim and tempered glass cover

Wide range of CCT: 2700K | 3000K | 4000K | 5000K | 6500K | RGBW

Standard CRI ≥80; CRI ≥90 is optional

IP67 Industrial rated silicon gasket, suitable for all weather conditions

12V DC/ 24 DC with a non-dimmable driver, dimming option available on request

Quick-plug connection available on request

Code	Wattage	Beam angle	Lumen output	CCT
ULILZ1123030	12W	30°	876lm	3000K
ULILZ1183030	18W	30°	1310lm	3000K



## Optional versions

1-10V Dimming | Red color  
ULILZ1xxyyzz-R

DALI dimming | Green color  
ULILZ1xxyyzz-G

Microwave motion sensor  
Blue color  
ULILZ1xxyyzz-B

Surge protection device  
White color  
ULILZ1xxyyzz-W

DALI dimming | Dimmable  
ULILZ1xxyyzz-D

DALI dimming | Quick-plug  
ULILZ1xxyyzz-QP

Microwave motion sensor  
CRI ≥90  
ULILZ1xxyyzz-CRI90

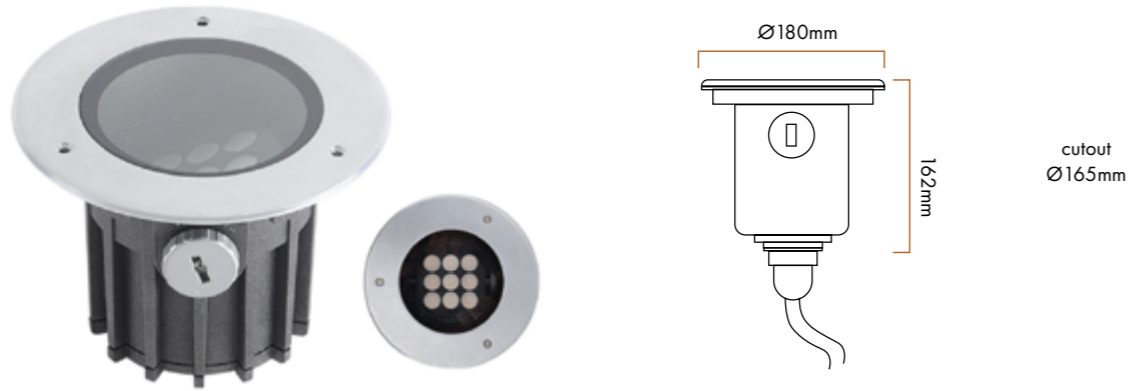


**xx** = selection of wattage  
**yy** = selection of beam angle  
**zz** = selection of color temperature

# Bristol 180

20W/ 27W adjustable LED inground recessed light

IP67 corrosion resistant recessed structure with uniform light output and RGBW option



Color



## Features

Material: Stainless steel + tempered glass+ aluminium

Corrosion resistance due to high class SS316 bezel

Beam Angle 8° | 15° | 30° | 40° | 60°

CCT: 3000K standard; 2700K | 4000K | 5000K | 6000K available on request

Standard CRI ≥80; CRI ≥90 is optional

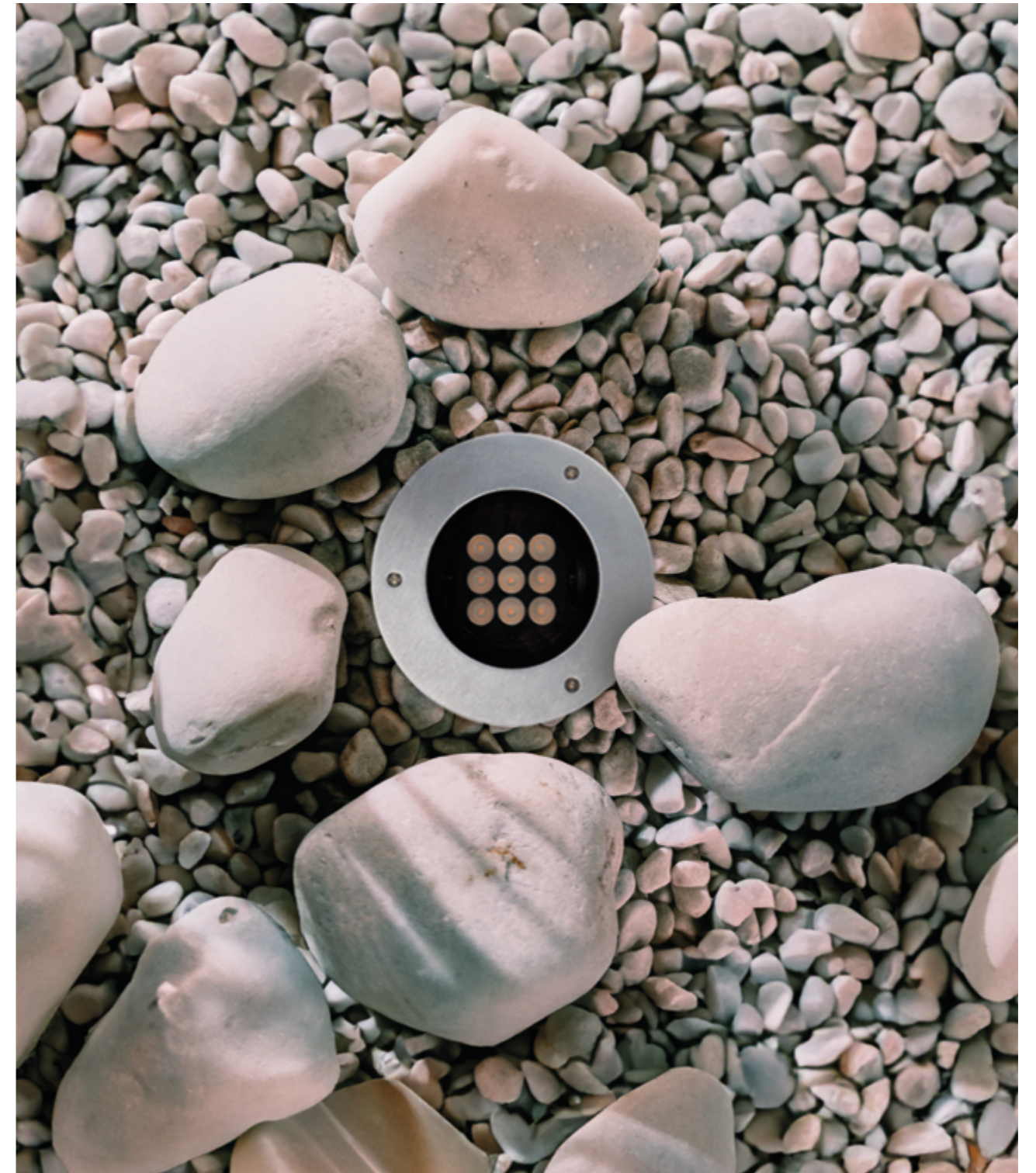
IP67 waterproof Industrial rated silicon gasket, suitable for all weather conditions

12V DC | 24 DC with a non-dimmable remote on/off driver

Quick-plug connection available on request

Supplied with cable of 2x0.5m & installation sleeve

Code	Wattage	Lumen efficiency	Beam angle	CCT
ULILBR203030	20W	2700lm	30°	3000K
ULILBR273030	27W	3645lm	30°	3000K



## Optional versions

CRI ≥90  
ULILBRxxyyzz-CRI90

## Accessories

Quick plug connection  
ULILBRxxyyzz-QP

RGBW  
ULILBRxxyyRGBW



**xx** = selection of wattage

**yy** = selection of beam angle

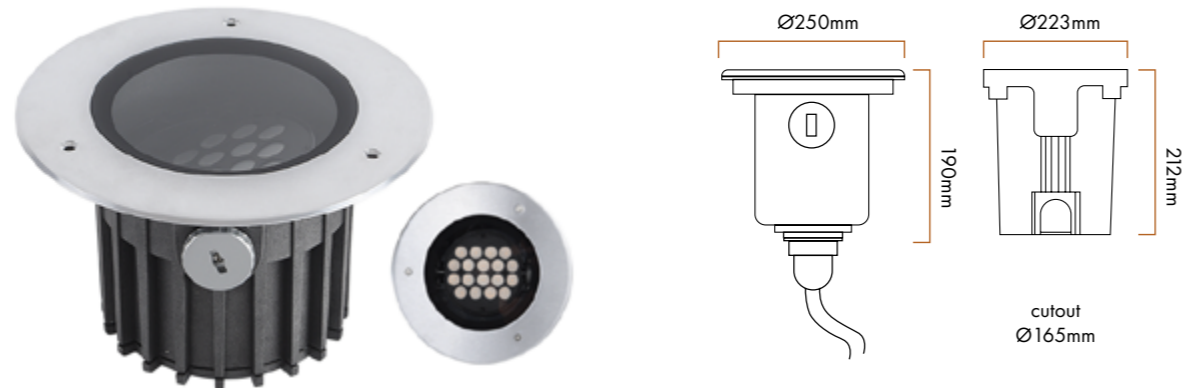
**zz** = selection of color temperature



# Chester 250

36W adjustable LED ground recessed light

IP67 corrosion resistant recessed structure with uniform light output and RGBW option



Color



## Features

Material: Stainless steel + tempered glass + aluminium

Corrosion resistance due to high class SS316 bezel

Adjustable optics up to ±25°

Beam Angle 8° | 15° | 30° | 40° | 60°

CCT: 2700K | 3000K | 4000K | 5000K | 5700K | 6500K | RGBW

Standard CRI ≥80; CRI ≥90 is optional

CREE or EPISTAR LED

IP67 waterproof Industrial rated silicon gasket, suitable for all weather conditions

12V DC / 24 DC with a non-dimmable on/off driver

Quick-plug connection available on request

Supplied with cable of 2x0.5m & installation sleeve

Code	Wattage	Beam angle	Lumen efficiency	CCT
ULILCH363030	36W	30°	2800lm	3000K



## Optional versions

### Accessories

Quick plug connection  
ULILBR36yyzz-QP

RGBW  
ULILBR36yyRGBW

CRI ≥90  
ULILBR36yyzz-CRI90



yy = selection of beam angle

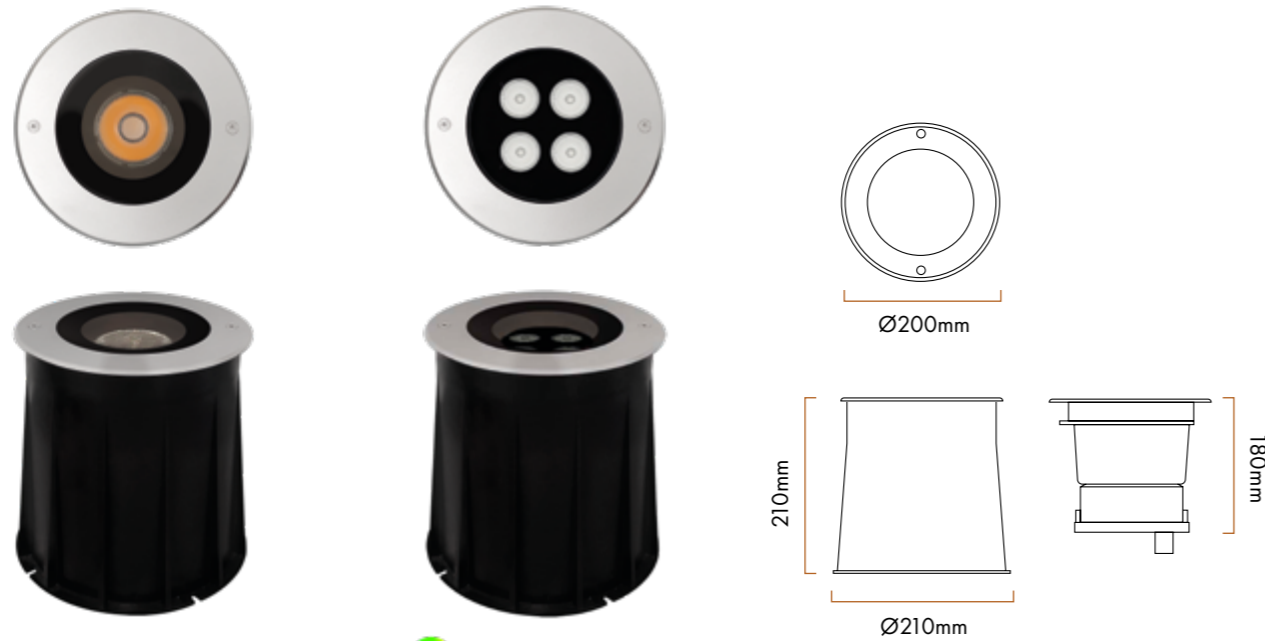
zz = selection of color temperature

# Amalfi / Amalfi RGBW

Ground recessed

UNOLUMEN®

Technology and light performance



## Amalfi recessed

- NB** 15° Narrow beam
- MB** 25° Medium beam
- WB** 36° Large beam
- SW** 60° Super Wide beam
- AB** Asymmetric beam



## Amalfi RGBW recessed

- NB** 15° Narrow beam
- MB** 24° Medium beam
- WB** 35° Large beam
- SW** 60° Super Wide beam



## Features

Assembly/Usage: Inground Recessed - Driveway max load 2000Kg

Body: Lighting body: Die-cast aluminium - Electronics housing: Polyamide

Box: Polypropylene (PP)30% fiber UV Stabilized GWT750

Frame: Stainless Steel AISI316L

Screen: Transparent extra-clear glass 15mm

Seals: Expanded silicone - moulded silicone

Screws: Stainless steel with anti-corrosion devices





## Amalfi recessed

Asymmetric round driveway  
Ø200-Built-in driver



Code	Beam angle	Wattage	Source	Fixture	Input supply	CCT	CL
UL3200RWC50AB99	Asymmetric	20W	2700lm	1850lm	220-240Vac 50/60HZ	3000K	II
UL3200RNC50AB99	Asymmetric	20W	2850ml	1950lm	220-240Vac 50/60HZ	4000K	II

Transparent extra-clear glass 15mm. | Driveway 2000 Kg.



Round driveway  
Ø200-Built-in driver

Code	Beam angle	Wattage	Source	Fixture	Input supply	CCT	CL
UL3200RWC50NB99	Spot/15°	20W	2700lm	1900lm	220-240Vac 50/60Hz	3000K	II
UL3200RWC50MB99	Flood/25°	20W	2700lm	1940lm	220-240Vac 50/60Hz	3000K	II
UL3200RWC50WB99	Wide Flood/36°	20W	2700lm	2000lm	220-240Vac 50/60Hz	3000K	II
UL3200RWC50SW99	Super Wide/60°	20W	2700lm	2000lm	220-240Vac 50/60Hz	3000K	II
UL3200RNC50NB99	Spot/15°	20W	2850lm	2000lm	220-240Vac 50/60Hz	4000K	II
UL3200RNC50MB99	Flood/25°	20W	2850lm	2040lm	220-240Vac 50/60Hz	4000K	II
UL3200RNC50WB99	Wide Flood/36°	20W	2700ml	2100lm	220-240Vac 50/60Hz	4000K	II
UL3200RNC50SW99	Super Wide/60°	20W	2850ml	2100lm	220-240Vac 50/60Hz	4000k	II

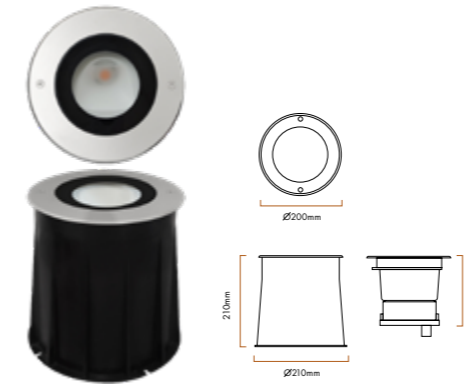
Transparent extra-clear glass 15mm. | Driveway 2000 Kg.

**Accessories** Information on accessories at the end of the chapter.

IP68 Connector 2way/3Poles 3x2.5mm²  
ULMOR683P2V

IP68 Y-Connector 3ways/5Poles 5x2.5mm²  
ULMOR685P3V

L37xW30xH30  
ULETRA58I



## Amalfi Dali System

Asymmetric DALI driveway  
Ø200-Built-in driver



Code	Beam angle	Wattage	Source	Fixture	Input supply	CCT	CL
UL3200RWD50AB99	Asymmetric	20W	2700ml	1850lm	220-240Vac 50/60HZ	3000K	II
UL3200RND50AB99	Asymmetric	20W	2850ml	1950lm	220-240Vac 50/60HZ	4000K	II

Transparent extra-clear glass 15mm. | | Dimming: Dali integrated | Driveway 2000 Kg.



DALI Driveway Ø200-Built-in driver

Code	Beam angle	Wattage	Source	Fixture	Input supply	CCT	CL
UL3200RWD50NB99	Spot/15°	20W	2700lm	1900lm	220-240Vac 50/60Hz	3000K	II
UL3200RWD50MB99	Flood/25°	20W	2700lm	1940lm	220-240Vac 50/60Hz	3000K	II
UL3200RWD50WB99	Wide Flood/36°	20W	2700lm	2000lm	220-240Vac 50/60Hz	3000K	II
UL3200RWD50SW99	Super Wide/60°	20W	2700lm	2000lm	220-240Vac 50/60Hz	3000K	II
UL3200RND50NB99	Spot/15°	20W	2850lm	2000lm	220-240Vac 50/60Hz	4000K	II
UL3200RND50MB99	Flood/25°	20W	2850lm	2040lm	220-240Vac 50/60Hz	4000K	II
UL3200RND50WB99	Wide Flood/36°	20W	2700ml	2100lm	220-240Vac 50/60Hz	4000K	II
UL3200RND50SW99	Super Wide/60°	20W	2850ml	2100lm	220-240Vac 50/60Hz	4000K	II

Transparent extra-clear glass 15mm. | Dimming: Dali integrated | Driveway 2000 Kg.

**Accessories** Information on accessories at the end of the chapter.

Cable H05BQ-F 5x1 2mt  
ULECAV538020

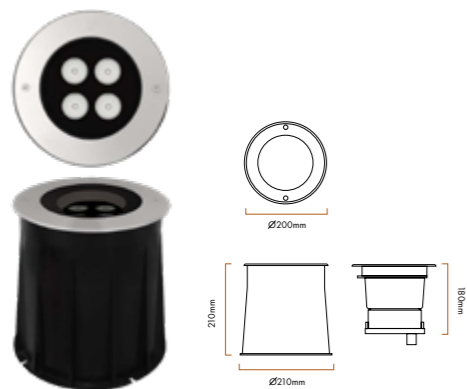
IP68 Connector 2-ways/5-Poles 5x4mm²  
ULMOR685P2V

Cable H05BQ-F 5x1 5mt  
ULECAV538050

IP68 Y-Connector 3ways/5Poles 5x2.5mm²  
ULECAV5380503V

Cable H05BQ-F 5x1 10mt  
ULECAV538100

Surge Protector CL II - IP67 L37xW30xH30  
ULETRA58I



## Amalfi recessed

RGBW Round Driveway Ø200



Code	Beam angle	*Wattage with algorithm	Source	Fixture	Input supply	CCT	CL
UL3200RRCRCNB99	Spot/15°	12W	1650lm	1420lm	24Vdc	RGBW(W=6500K)	III
UL3200RRCRCMB99	Flood/24°	12W	1650lm	1420lm	24Vdc	RGBW(W=6500K)	III
UL3200RRCRCWB99	Wide Flood/35°	12W	1650lm	1420lm	24Vdc	RGBW(W=6500K)	III
UL3200RRCRCW99	Super Wide/60°	12W	1650lm	1420lm	24Vdc	RGBW(W=6500K)	III

Transparent extra-clear glass 15mm | Dimming: Dimmable | Driveway 2000 Kg

### Accessories information on accessories at the end of the chapter.

Cable H05BQ-F 5x1 2mt  
ULECAV538020

IP68 Connector 2-ways/5-Poles 5x4mm²  
ULMOR685P2V

Cable H05BQ-F 5x1 5mt  
ULECAV538050

IP68 Y-Connector 3ways/5Poles 5x2.5mm²  
ULMOR685P3V

Cable H05BQ-F 5x1 10mt  
ULECAV538100

Driver ON/OFF - 100W 24Vdc IP67 L140xW63xH32  
ULETRA579

Controller 16DMX Ch. 100-240V  
ULECNT001

Remote driver ELG 240W 24Vdc IP67 L244xW71xH38  
ULETRA592

RGBW Controller 1024DMX Ch. USB/Ethernet  
100-240V  
ULECNT002

**\*Wattage with algorithm** An RGBW product with **ALGORITHM SYSTEM** from 24W is comparable to standard RGBW products from 72/76W

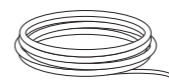


\*The RGBW system has been completely revised, significantly increasing its efficiency and lumen output of colors. A new DMX control system based on a microchip algorithm has been inserted inside the lamp, capable of obtaining a constant and full power wattage for each single color or in the combination of the color channels.

## Accessories

Amalfi / Amalfi RGBW

### CONNECTION



Cable H05BQ-F 5x1 - 2mt  
ULECAV538020

Cable H05BQ-F 5x1 - 5mt  
ULECAV538050

Cable H05BQ-F 5x1 - 10mt  
ULECAV538100



IP68 Connector 2-ways/5-poles  
Maximum section 5x4mm²  
ULMOR685P2V



IP68 Y-Connector 3ways/5poles - 5x2.5mm²  
ULMOR685P3V

### DRIVER / ELECTRONICS Constant voltage 24Vdc



Driver 100W 24Vdc IP67 - ON/OFF  
ULETRA579

1 Driver for 1-4 Lamps



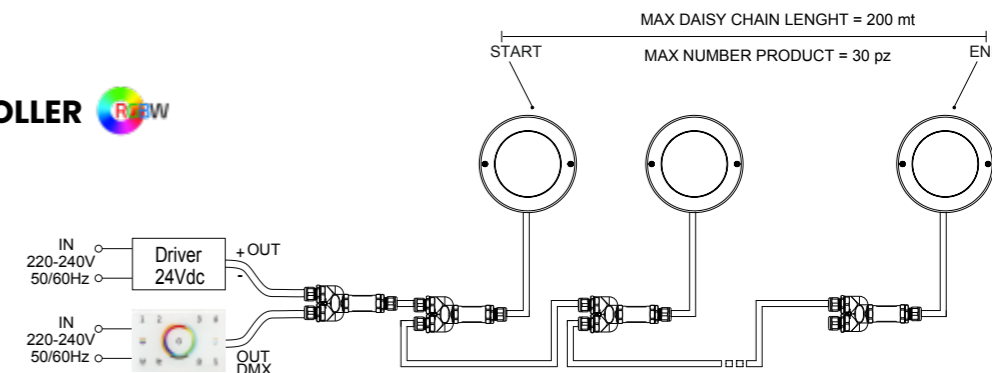
Driver ELG 240W 24Vdc IP67  
ULETRA592

1 Hub for 5-9 Lamps

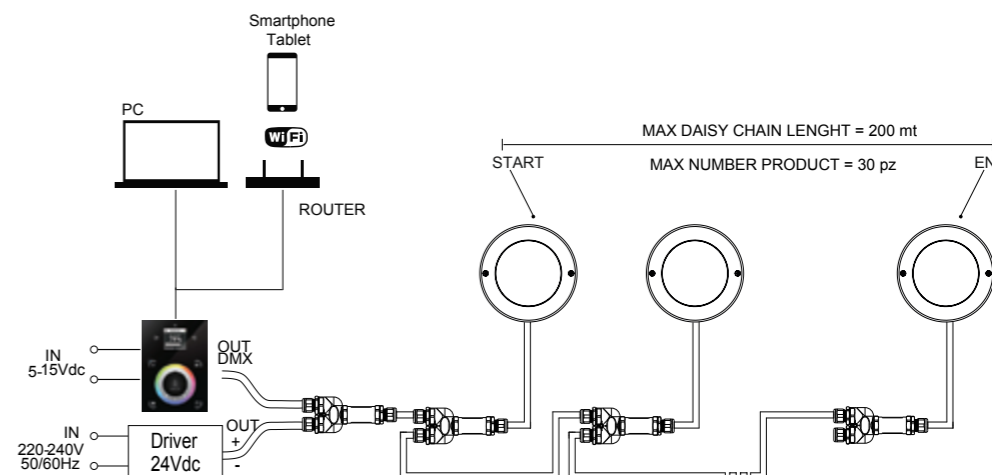
### TOUCH CONTROLLER



RGBW Touch Panel controller 16DMX  
Ch. 100-240V  
ULECNT001



RGBW Touch Panel controller 1024DMX  
Ch. USB/Ethernet 100-240V  
ULECNT002



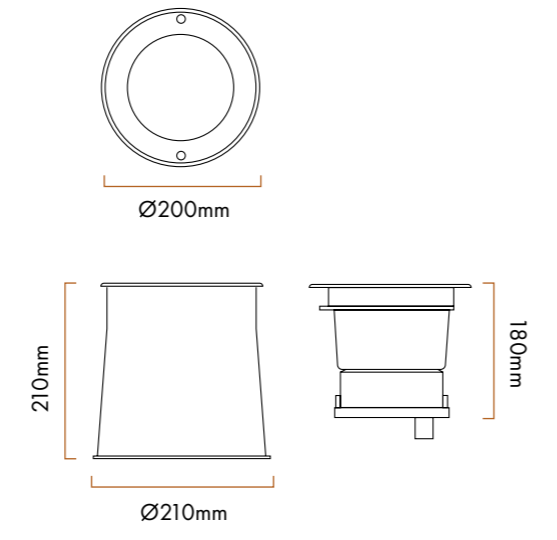
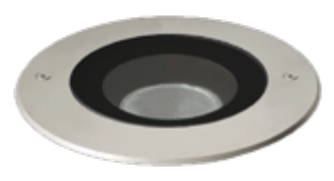


UNOLUMEN®

# Amalfi adjustable

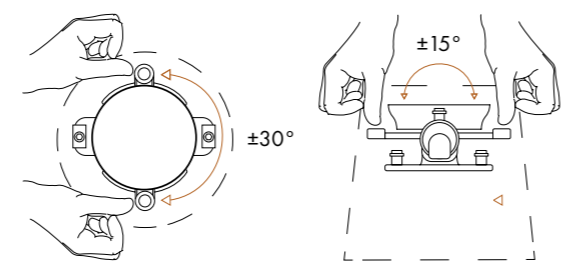
Ground recessed

Technology and light performance



## Amalfi adjustable

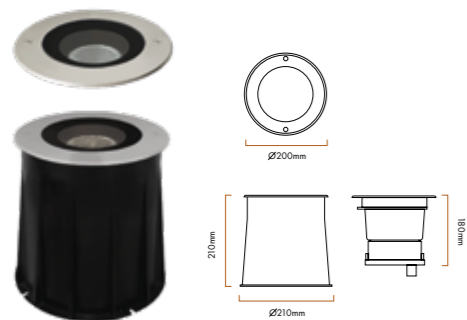
- NB** 16° Narrow beam
- MB** 33° Medium beam
- WB** 54° Wide beam
- OB** 25°x60° Oval beam



## Features

- Body: Die Casting Aluminium
- Carter/Box: Tecnopolymer
- Frame: Steel AISI316L
- Screen: Extra-clear transparent Glass 15mm
- Seals: Silicon rubber
- Screws: Stainless steel A2 with anti-corrosion devices
- CCT: 2700K | 3000K | 4000K



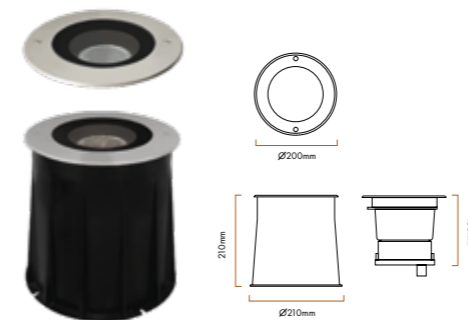


## Amalfi adjustable

LED system with built-in driver  
on/off



Code	Beam angle	Wattage	Source	Fixture	CCT	CL
UL3201RHC45NB99	Spot/16°	18W	2400lm	1800lm	2700K	II
UL3201RWC45NB99	Spot/16°	18W	2400lm	1800lm	3000K	II
UL3201RNC45NB99	Spot/16°	18W	2550lm	1900lm	4000K	II
UL3201RHC45MB99	Flood/33°	18W	2400lm	1800lm	2700K	II
UL3201RWC45MB99	Flood/33°	18W	2400lm	1800lm	3000K	II
UL3201RNC45MB99	Flood/33°	18W	2550lm	1900lm	4000K	II
UL3201RHC45WB99	Wide flood/54°	18W	2400lm	1700ml	2700K	II
UL3201RWC45WB99	Wide flood/54°	18W	2400lm	1700ml	3000K	II
UL3201RNC45WB99	Wide flood/54°	18W	2550lm	1800ml	4000K	II
UL3201RHC45OB99	Oval/25°x60°	18W	2400lm	1700ml	2700K	II
UL3201RWC45OB99	Oval/25°x60°	18W	2400lm	1700ml	3000K	II
UL3201RNC45OB99	Oval/25°x60°	18W	2550lm	1800ml	4000K	II



## Amalfi adjustable

LED system with built-in driver  
DALI-2 integrated



Code	Beam angle	Wattage	Source	Fixture	CCT	CL
UL3201RHD45NB99	Spot/16°	18W	2400lm	1800lm	2700K	II
UL3201RWD45NB99	Spot/16°	18W	2400lm	1800lm	3000K	II
UL3201RND45NB99	Spot/16°	18W	2550lm	1900lm	4000K	II
UL3201RHD45MB99	Flood/33°	18W	2400lm	1800lm	2700K	II
UL3201RWD45MB99	Flood/33°	18W	2400lm	1800lm	3000K	II
UL3201RND45MB99	Flood/33°	18W	2550lm	1900lm	4000K	II
UL3201RHD45WB99	Wide flood/54°	18W	2400lm	1700ml	2700K	II
UL3201RWD45WB99	Wide flood/54°	18W	2400lm	1700ml	3000K	II
UL3201RND45WB99	Wide flood/54°	18W	2550lm	1800ml	4000K	II
UL3201RHD45OB99	Oval/25°x60°	18W	2400lm	1700ml	2700K	II
UL3201RWD45OB99	Oval/25°x60°	18W	2400lm	1700ml	3000K	II
UL3201RND45OB99	Oval/25°x60°	18W	2550lm	1800ml	4000K	II

## Accessories

Amalfi adjustable ON/OFF

### CONNECTION



IP68 Connector 2-ways/3-poles  
ULMOR683P2V



IP68 Y-Connector 3ways/5poles - 5x2.5mm²  
ULMOR685P3V

### SURGE PROTECTION



Surge protector IP67  
ULETRA581

## Accessories

Amalfi adjustable DALI-2

### CONNECTION



Cable H05BQ-F 5x1 - 2mt  
ULECAV538020

Cable H05BQ-F 5x1 - 5mt  
ULECAV538050

Cable H05BQ-F 5x1 - 10mt  
ULECAV538100



IP68 Connector 2-ways/5-poles  
Maximum section 5x4mm²  
ULMOR685P2V



IP68 Y-Connector 3ways/5poles  
5x2.5mm²  
ULMOR685P3V

### SURGE PROTECTION



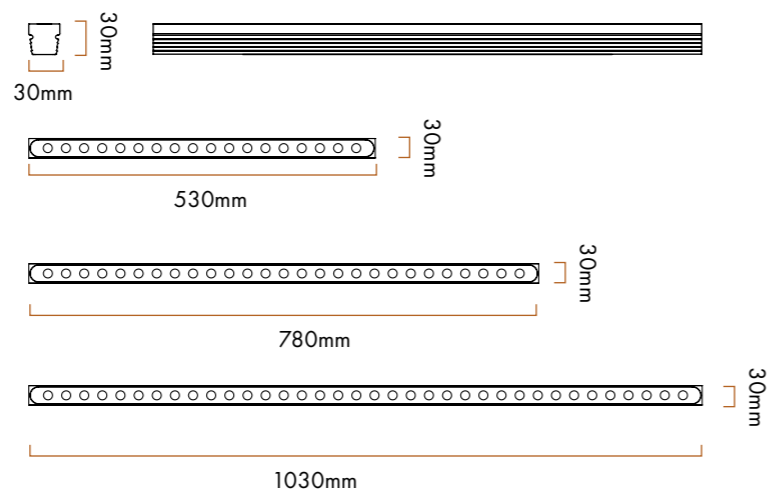
Surge protector IP67  
ULETRA581

# Venus Mini recessed

Ground recessed

Linear recessed lights

UNOLUMEN®



- NB** 20° Narrow beam
- WB** 45° Large beam
- OB** 20°x40° Oval beam
- VS** >100° Diffuse beam

**Constant voltage (Vdc)**  
8W-16W REMOTE DRIVER 24Vdc



## Features

Assembly/Usage: Inground Recessed - Walkable max load 500Kg

Body: Die-cast aluminium

Box: Die-cast aluminium

Frame: All glass

CCT: 2700K | 3000K | 4000K

Screen: Opal glass (VS version) Tempered extra-clear glass 4mm with silk-screen printing

Seals: Gasket: neutral cross-linking silicone glue glass Tx -50/+250°C UV resist

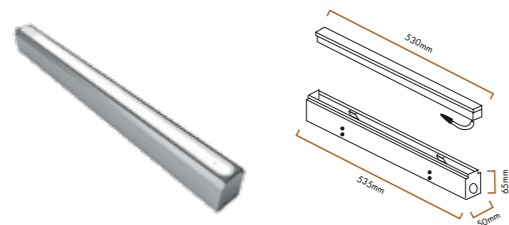
Screws: Stainless steel A2

Paint/Finishing: Anti-corrosive UV stabilised polyester powder



VENUS MINI RECESSED **Ground recessed**

UNOLUMEN®

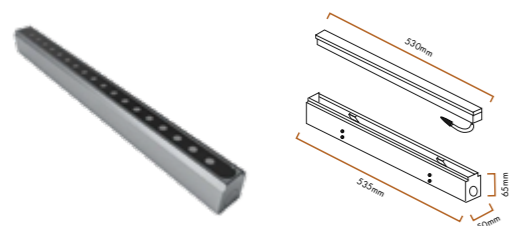


Recessed diffuse emission L. 530  
Remote driver 24Vdc



Code	Beam angle	Wattage	Source	Fixture	Input supply	CCT	CL
UL2811RHRRCVS	Diffuse	8W	1130lm	179lm	24Vdc	2700K	III
UL2811RWRRCVS	Diffuse	8W	1130lm	280lm	24Vdc	3000K	III
UL2811RNRRCVS	Diffuse	8W	1220lm	300lm	24Vdc	4000K	III

VS = Opal Glass | Dimming: Remote DALI dimmable | Walkable 500Kg



Recessed floodlight L. 530  
Remote driver 24Vdc



Code	Beam angle	Wattage	Source	Fixture	Input supply	CCT	CL
UL2811RHPRCNB	Spot/20°	8W	900lm	737 lm	24Vdc	2700K	III
UL2811RHPRCWB	Wide Flood/45°	8W	900lm	737 lm	24Vdc	2700K	III
UL2811RHPRCOB	Oval/20°x40°	8W	900lm	737 lm	24Vdc	2700K	III
UL2811RWPRCNB	Spot/20°	8W	900lm	785 lm	24Vdc	3000K	III
UL2811RWPRCWB	Wide Flood/45°	8W	900lm	785 lm	24Vdc	3000K	III
UL2811RWPRCOB	Oval/20°x40°	8W	900lm	785 lm	24Vdc	3000K	III
UL2811RNPRCNB	Spot/20°	8W	970lm	840 lm	24Vdc	4000K	III
UL2811RNPRCWB	Wide Flood/45°	8W	970lm	840 lm	24Vdc	4000K	III
UL2811RNPRCOB	Oval/20°x40°	8W	970lm	840 lm	24Vdc	4000K	III

Tempered extra-clear glass 4mm with silk-screen printing | Dimming: Remote DALI dimmable | Walkable 500Kg

**Accessories** information on accessories at the end of the chapter

Cable 05RN-F 2x0,75 | 2M  
ULECAV540020

Driver DALI - 100W 24Vdc IP20 | L175xW63xH36  
ULETRA633 - 1 Driver for 1-10 Lamps

Cable 05RN-F 2x0,75 | 5M  
ULECAV540050

Driver ON/OFF - 25W 24Vdc IP67 | L148xW40xH32  
ULETRA577 - 1 Driver for 1-2 Lamps

Cable 05RN-F 2x0,75 | 10M  
ULECAV540100

Driver ON/OFF - 100W 24Vdc IP67 | L140xW63xH32  
ULETRA579 - 1 Driver for 3-10 Lamps

IP68 Connector 2ways/2Poles 2x1mm²  
ULMOR682P2V

Hub 24Vdc IP66 - ON/OFF con driver 70W  
L140xW63xH32  
ULHUB24V001IND - 1 Hub for 1-8 Lamps

Driver ON/OFF - 15W 24Vdc IP20 | L106xW33xH22  
ULETRA631

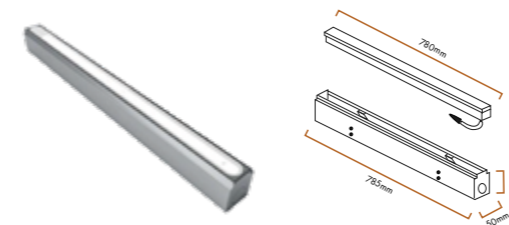
Hub 24Vdc IP66 - DALI2 con driver 100W  
L235xW200xH92

Driver ON/OFF - 70W 24Vdc IP20 | L124xW80xH22  
ULETRA632 - 1 Driver for 1-8 Lamps

ULHUB24V001DA2 - 1 Hub for 1-8 Lamps

Hub 24Vdc IP66 - | L235xW200xH92  
ULHUB24V001CA - 1 Hub for 1-8 Lamps

VENUS MINI RECESSED **Ground recessed**

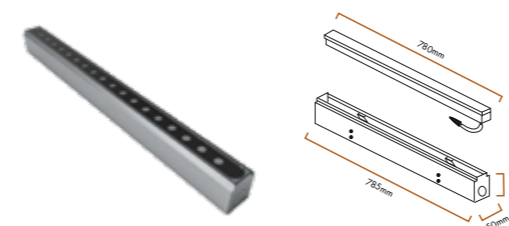


Recessed diffuse emission L. 780  
Remote driver 24Vdc



Code	Beam angle	Wattage	Source	Fixture	Input supply	CCT	CL
UL2812RHRRCVS	Diffuse	12W	1700lm	394lm	24Vdc	2700K	III
UL2812RWRRCVS	Diffuse	12W	1700lm	420lm	24Vdc	3000K	III
UL2812RNRRCVS	Diffuse	12W	1830lm	450lm	24Vdc	4000K	III

VS = Opal Glass | Dimming: Remote DALI dimmable | Walkable 500Kg



Recessed floodlight L. 780  
Remote driver 24Vdc



Code	Beam angle	Wattage	Source	Fixture	Input supply	CCT	CL
UL2812RHPRCNB	Spot/20°	12W	1350lm	1109lm	24Vdc	2700K	III
UL2812RHPRCWB	Wide Flood/45°	12W	1350lm	1109lm	24Vdc	2700K	III
UL2812RHPRCOB	Oval/20°x40°	12W	1350lm	1109lm	24Vdc	2700K	III
UL2812RWPRCNB	Spot/20°	12W	1350lm	1180lm	24Vdc	3000K	III
UL2812RWPRCWB	Wide Flood/45°	12W	1350lm	1180lm	24Vdc	3000K	III
UL2812RWPRCOB	Oval/20°x40°	12W	1350lm	1180lm	24Vdc	3000K	III
UL2812RNPRCNB	Spot/20°	12W	1450lm	1260lm	24Vdc	4000K	III
UL2812RNPRCWB	Wide Flood/45°	12W	1450lm	1260lm	24Vdc	4000K	III
UL2812RNPRCOB	Oval/20°x40°	12W	1450lm	1260lm	24Vdc	4000K	III

Tempered extra-clear glass 4mm with silk-screen printing | Dimming: Remote DALI dimmable | Walkable 500Kg

**Accessories** information on accessories at the end of the chapter

Cable 05RN-F 2x0,75 | 2M  
ULECAV540020

Driver DALI - 100W 24Vdc IP20 | L175xW63xH36  
ULETRA633 - 1 Driver for 1-7 Lamps

Cable 05RN-F 2x0,75 | 5M  
ULECAV540050

Driver ON/OFF - 25W 24Vdc IP67 | L148xW40xH32  
ULETRA577 - 1 Driver for 1 Lamp

Cable 05RN-F 2x0,75 | 10M  
ULECAV540100

Driver ON/OFF - 100W 24Vdc IP67 | L140xW63xH32  
ULETRA579 - 1 Driver for 3-10 Lamps

IP68 Connector 2ways/2Poles 2x1mm²  
ULMOR682P2V

Hub 24Vdc IP66 - ON/OFF con driver 70W  
L235xW200xH92  
ULHUB24V001IND - 1 Hub for 1-5 Lamps

Driver ON/OFF - 15W 24Vdc IP20 | L106xW33xH22  
ULETRA631-1 Driver for 1 Lamp

Hub 24Vdc IP66 - DALI2 con driver 100W  
L235xW200xH92

Driver ON/OFF - 70W 24Vdc IP20 | L124xW80xH22  
ULETRA632 - 1 Driver for 1-5 Lamps

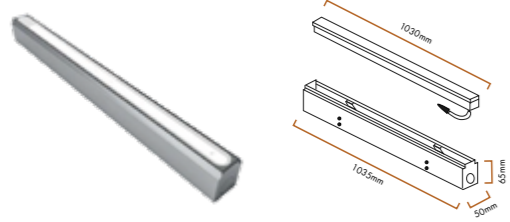
ULHUB24V001DA2 - 1 Hub for 1-5 Lamps

Hub 24Vdc IP66 - | L235xW200xH92  
ULHUB24V001CA - 1 Hub for 1-5 Lamps



## VENUS MINI RECESSED **Ground recessed**

UNOLUMEN®

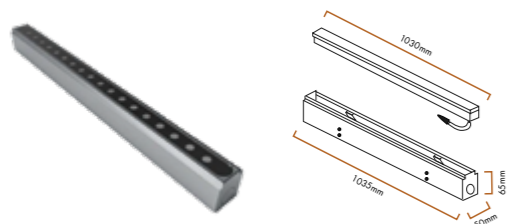


Recessed diffuse emission L.1030  
Remote driver 24Vdc

grey

Code	Beam angle	Wattage	Source	Fixture	Input supply	CCT	CL
UL2813RHRRCVS	Diffuse	16W	2260lm	526lm	24Vdc	2700K	III
UL2813RWRRRCVS	Diffuse	16W	2260lm	560lm	24Vdc	3000K	III
UL2813RNRRRCVS	Diffuse	16W	2440lm	600lm	24Vdc	4000K	III

VS = Opal Glass | Dimming: Remote DALI dimmable | Walkable 500Kg



Recessed diffuse emission L.1030  
Remote driver 24Vdc

grey

Code	Beam angle	Wattage	Source	Fixture	Input supply	CCT	CL
UL2813RHPRCNB	Spot/20°	16W	1800lm	1479lm	24Vdc	2700K	III
UL2813RHPRCWB	Wide Flood/45°	16W	1800lm	1479lm	24Vdc	2700K	III
UL2813RHPRCOB	Oval/20°x40°	16W	1800lm	1479lm	24Vdc	2700K	III
UL2813RWPRCNB	Spot/20°	16W	1800lm	1574lm	24Vdc	3000K	III
UL2813RWPRCWB	Wide Flood/45°	16W	1800lm	1574lm	24Vdc	3000K	III
UL2813RWPRCOB	Oval/20°x40°	16W	1800lm	1574lm	24Vdc	3000K	III
UL2813RNPRCNB	Spot/20°	16W	1940lm	1678lm	24Vdc	4000K	III
UL2813RNPRCWB	Wide Flood/45°	16W	1940lm	1678lm	24Vdc	4000K	III
UL2813RNPRCOB	Oval/20°x40°	16W	1940lm	1678lm	24Vdc	4000K	III

Tempered extra-clear glass 4mm with silk-screen printing | Dimming: Remote DALI dimmable | Walkable 500Kg

**Accessories** information on accessories at the end of the chapter.

Cable 05RN-F 2x0,75 | 2M  
ULECAV540020

Driver DALI - 100W 24Vdc IP20 | L175xW63xH36  
ULETRA633 - 1 Driver for 1-5 Lamps

Cable 05RN-F 2x0,75 | 5M  
ULECAV540050

Driver ON/OFF - 25W 24Vdc IP67 | L148xW40xH32  
ULETRA577 - 1 Driver for 1 Lamps

Cable 05RN-F 2x0,75 | 10M  
ULECAV540100

Driver ON/OFF - 100W 24Vdc IP67 | L140xW63xH32  
ULETRA579 - 1 Driver for 2-5 Lamps

IP68 Connector 2ways/2Poles 2x1mm²  
ULMOR682P2V

Hub 24Vdc IP66 - ON/OFF con driver 70W  
L140xW63xH32  
ULHUB24V001IND - 1 Hub for 1-4 Lamps

Driver ON/OFF - 15W 24Vdc IP20 | L106xW33xH22  
ULETRA631

Hub 24Vdc IP66 - DALI2 con driver 100W  
L235xW200xH92

Driver ON/OFF - 70W 24Vdc IP20 | L124xW80xH22  
ULETRA632 - 1 Driver for 1-4 Lamps

ULHUB24V001DA2 - 1 Hub for 1-4 Lamps

Hub 24Vdc IP66 - CASAMBI | L235xW200xH92  
ULHUB24V001CA - 1 Hub for 1-4 Lamps

## Accessories

Venus mini recessed

### CONNECTION



Cavo/Cable 05RN-F 2x0,75 - 2mt  
ULECAV540020

Cavo/Cable 05RN-F 2x0,75 - 5mt  
ULECAV540050

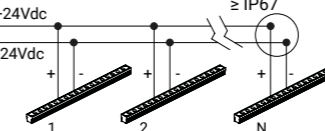
Cavo/Cable 05RN-F 2x0,75 - 10mt  
ULECAV540100



IP68 Connector 2ways/2poles - 2x1mm²  
ULMOR682P2V

### DRIVER / ELECTRONICS Constant voltage 24Vdc

220-240V - 50/60Hz - IN OUT  
Collegamento in Parallelo  
Parallel Wiring



Driver 15W 24Vdc IP20 - ON/OFF  
L106xW33xH22  
ULETRA631

Cod. 2811R - 1 Driver for 1 Lamp  
Cod. 2812R - 1 Driver for 1 Lamp  
Cod. 2813R - 1 Driver for 1 Lamp

Driver 70W 24Vdc IP20 - ON/OFF  
L106xW33xH22  
ULETRA632

Cod. 2811R - 1 Driver for 1-8 Lamps  
Cod. 2812R - 1 Driver for 1-5 Lamps  
Cod. 2813R - 1 Driver for 1-4 Lamps



Driver 100W 24Vdc IP20 - DALI  
L175xW63xH36  
ULETRA633

Cod. 2811R - 1 Driver for 1-10 Lamps  
Cod. 2812R - 1 Driver for 1-7 Lamps  
Cod. 2813R - 1 Driver for 1-5 Lamps



Driver 25W 24Vdc IP67 - ON/OFF  
L148xW40xH32  
ULETRA577

Cod. 2811R - 1 Driver for 1-2 Lamps  
Cod. 2812R - 1 Driver for 1 Lamp  
Cod. 2813R - 1 Driver for 1 Lamp

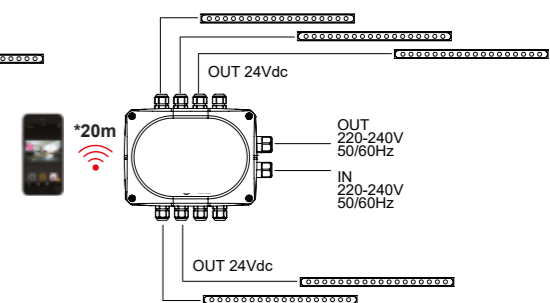
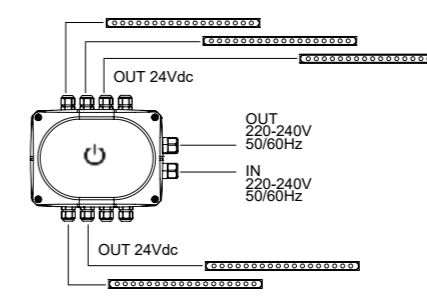
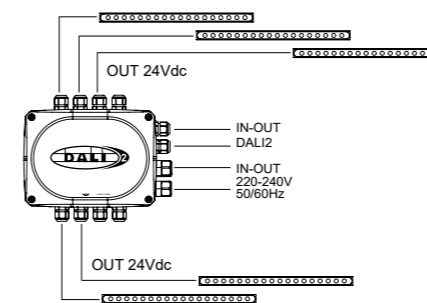


Driver 100W 24Vdc IP67 - ON/OFF  
L140xW63xH32  
ULETRA579

Cod. 2811R - 1 Driver for 3-10 Lamps  
Cod. 2812R - 1 Driver for 2-7 Lamps  
Cod. 2813R - 1 Driver for 2-5 Lamps



HUB diagrams



Hub 24Vdc IP66 - ON/OFF con driver 70W  
L235xW200xH92  
ULHUB24V001IND

Cod. 2811R - 1 Hub for 1-8 Lamps  
Cod. 2812R - 1 Hub for 1-5 Lamps  
Cod. 2813R - 1 Hub for 1-4 Lamps



Hub 24Vdc IP66 - DALI2 con driver 100W  
L235xW200xH92  
ULHUB24V001DA2

Cod. 2811R - 1 Hub for 1-8 Lamps  
Cod. 2812R - 1 Hub for 1-5 Lamps  
Cod. 2813R - 1 Hub for 1-4 Lamps



Hub 24Vdc IP66 - CASAMBI  
L235xW200xH92  
ULHUB24V001CA

Cod. 2811R - 1 Hub for 1-8 Lamps  
Cod. 2812R - 1 Hub for 1-5 Lamps  
Cod. 2813R - 1 Hub for 1-4 Lamps

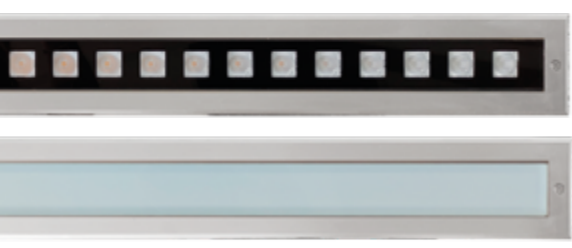


UNOLUMEN®

# Venus / Venus RGBW

Ground recessed

Lens version & satined glass

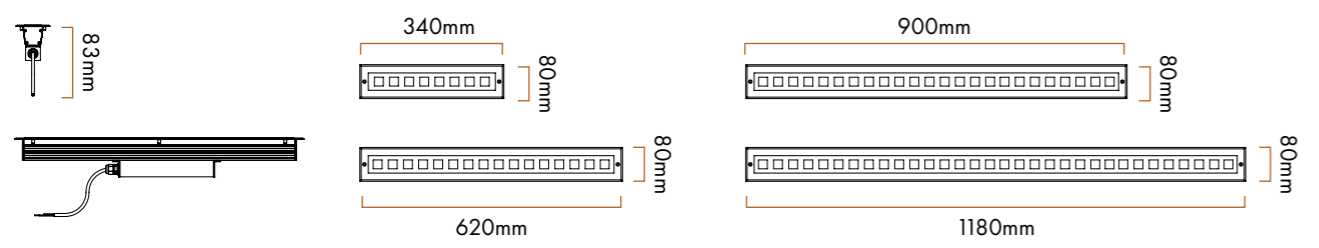


## Venus

- NB** 12° Narrow beam
- MB** 28° Medium beam
- WB** 50° Large beam
- OB** 42°x12° Oval beam
- AB** Asymmetric beam
- VS** Diffuse beam

## Venus RGBW

- MB** 24° Medium beam
- WB** 35° Large beam
- SW** 54° super wide beam
- O4** 40°x20° Oval beam



## Features

Assembly/Usage: Inground Recessed - Walkable max load 500Kg

Body: Extruded aluminium

Box: Stainless Steel SHEET AISI430F

Frame: Stainless Steel AISI316

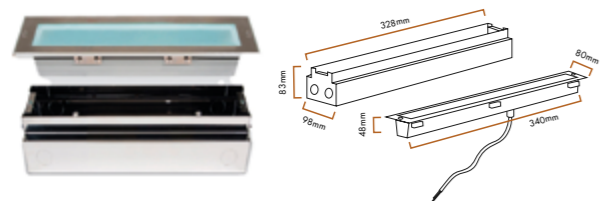
CCT: 3000K | 4000K

Screen: 8 mm silk-screened extra-clear tempered glass Opal Glass (VS version)

Seals: Closed-cell EPDM rubber

Screws: Stainless steel A2



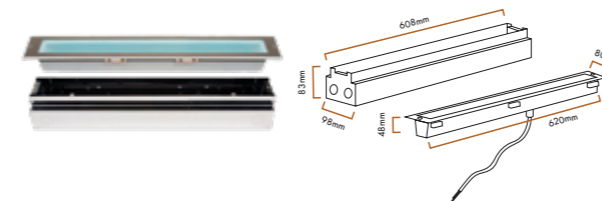


Recessed Wallwasher diffused light L. 340



Code	Beam angle	Wattage	Source	Fixture	Input supply	CCT	CL
UL2800RWR50VS99	Diffuse	8W	870lm	339lm	220-240Vac 50/60Hz	3000K	I
UL2800RNR50VS99	Diffuse	8W	920lm	357lm	220-240Vac 50/60Hz	4000K	I

VS = Opal Glass | Dimming: DALI available on request | Walkable 500Kg

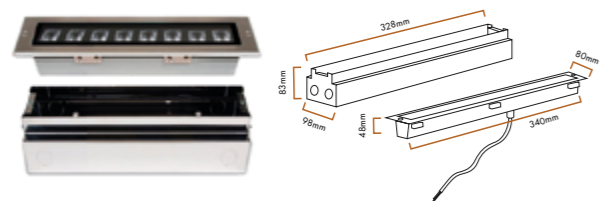


Recessed Wallwasher diffused light L. 620



Code	Beam angle	Wattage	Source	Fixture	Input supply	CCT	CL
UL2801RWR50VS99	Diffuse	13W	1740lm	678lm	220-240Vac 50/60Hz	3000K	I
UL2801RNR50VS99	Diffuse	13W	1840lm	718lm	220-240Vac 50/60Hz	4000K	I

VS = Opal Glass | Dimming: DALI available on request | Walkable 500Kg



Recessed Wallwasher diffused light L. 340



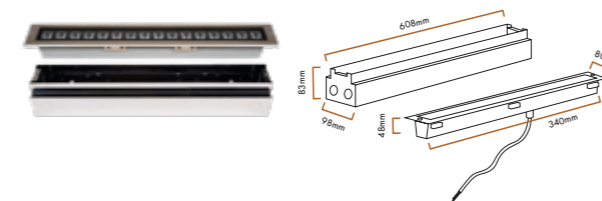
Code	Beam angle	Wattage	Source	Fixture	Input supply	CCT	CL
UL2800RWP50NB99	Spot/12°	14W	1452lm	1220lm	220-240Vac 50/60Hz	3000K	I
UL2800RWP50MB99	Flood/28°	14W	1452lm	1220lm	220-240Vac 50/60Hz	3000K	I
UL2800RWP50OB99	Oval/42°x12°	14W	1452lm	1220lm	220-240Vac 50/60Hz	3000K	I
UL2800RWP50WB99	Wide Flood/50°	14W	1452lm	1220lm	220-240Vac 50/60Hz	3000K	I
UL2800RWP50AB99	Asymmetric	14W	1452lm	1220lm	220-240Vac 50/60Hz	3000K	I
UL2800RNP50NB99	Spot/12°	14W	1525lm	1281lm	220-240Vac 50/60Hz	4000K	I
UL2800RNP50MB99	Flood/28°	14W	1525lm	1281lm	220-240Vac 50/60Hz	4000K	I
UL2800RNP50OB99	Oval/42°x12°	14W	1525lm	1281lm	220-240Vac 50/60Hz	4000K	I
UL2800RNP50WB99	Wide Flood/50°	14W	1525lm	1281lm	220-240Vac 50/60Hz	4000K	I
UL2800RNP50AB99	Asymmetric	14W	1525lm	1281lm	220-240Vac 50/60Hz	4000K	I

Tempered Extraclear Glass 8mm with silk-screen printing | Dimming: DALI available on request | Walkable 500Kg

**Accessories** Information on accessories at the end of the chapter

IP68 Connector 2way/3Poles 3x2.5mm²  
ULMOR683P2V

Surge protector CL I - IP67 | L37xW30xH30  
ULETRA580



Recessed Wallwasher diffused light L. 620



Code	Beam angle	Wattage	Source	Fixture	Input supply	CCT	CL
UL2801RWP50NB99	Spot/12°	26W	2905lm	2440lm	220-240Vac 50/60Hz	3000K	I
UL2801RWP50MB99	Flood/28°	26W	2905lm	2440lm	220-240Vac 50/60Hz	3000K	I
UL2801RWP50OB99	Oval/42°x12°	26W	2905lm	2440lm	220-240Vac 50/60Hz	3000K	I
UL2801RWP50WB99	Wide Flood/50°	26W	2905lm	2440lm	220-240Vac 50/60Hz	3000K	I
UL2801RWP50AB99	Asymmetric	26W	2905lm	2440lm	220-240Vac 50/60Hz	3000K	I
UL2801RNP50NB99	Spot/12°	26W	3050lm	2562lm	220-240Vac 50/60Hz	4000K	I
UL2801RNP50MB99	Flood/28°	26W	3050lm	2562lm	220-240Vac 50/60Hz	4000K	I
UL2801RNP50OB99	Oval/42°x12°	26W	3050lm	2562lm	220-240Vac 50/60Hz	4000K	I
UL2801RNP50WB99	Wide Flood/50°	26W	3050lm	2562lm	220-240Vac 50/60Hz	4000K	I
UL2801R/NP50AB99	Asymmetric	26W	3050lm	2562lm	220-240Vac 50/60Hz	4000K	I

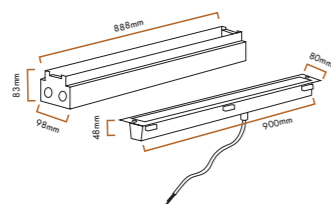
Tempered Extraclear Glass 8mm with silk-screen printing | Dimming: DALI available on request | Walkable 500Kg

**Accessories** Information on accessories at the end of the chapter

IP68 Connector 2way/3Poles 3x2.5mm²  
MOR683P2V

Surge protector CL I - IP67 | L37xW30xH30  
ULETRA580

IP68 Y-Connector 3ways/5Poles 5x2.5mm²  
ULMOR685P3V

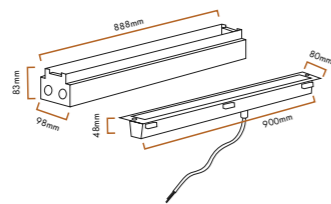


Recessed Wallwasher diffused light L. 900



Code	Beam angle	Wattage	Source	Fixture	Input supply	CCT	CL
UL2802RWR50VS99	Diffuse	19W	2610lm	1020lm	220-240Vac 50/60Hz	3000K	I
UL2802RNR50VS99	Diffuse	19W	2760lm	1076lm	220-240Vac 50/60Hz	4000K	I

VS = Opal Glass | Dimming: DALI available on request | Walkable 500Kg



Recessed Wallwasher diffused light L. 900



Code	Beam angle	Wattage	Source	Fixture	Input supply	CCT	CL
UL2802RWP50NB99	Spot/12°	42W	4357lm	3660lm	220-240Vac 50/60Hz	3000K	I
UL2802RWP50MB99	Flood/28°	42W	4357lm	3660lm	220-240Vac 50/60Hz	3000K	I
UL2802RWP50OB99	Oval/42°x12°	42W	4357lm	3660lm	220-240Vac 50/60Hz	3000K	I
UL2802RWP50WB99	Wide Flood/50°	42W	4357lm	3660lm	220-240Vac 50/60Hz	3000K	I
UL2802RWP50AB99	Asymmetric	42W	4357lm	3660lm	220-240Vac 50/60Hz	3000K	I
UL2802RNP50NB99	Spot/12°	42W	4575lm	3843lm	220-240Vac 50/60Hz	4000K	I
UL2802RNP50MB99	Flood/28°	42W	4575lm	3843lm	220-240Vac 50/60Hz	4000K	I
UL2802RNP50OB99	Oval/42°x12°	42W	4575lm	3843lm	220-240Vac 50/60Hz	4000K	I
UL2802RNP50WB99	Wide Flood/50°	42W	4575lm	3843lm	220-240Vac 50/60Hz	4000K	I
UL2802RNP50AB99	Asymmetric	42W	4575lm	3843lm	220-240Vac 50/60Hz	4000K	I

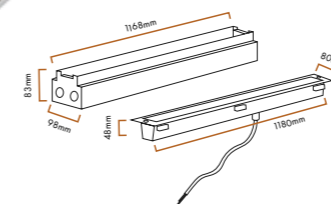
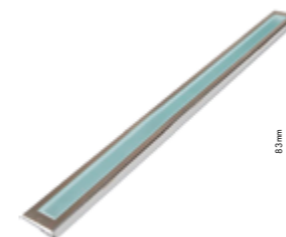
Tempered Extraclear Glass 8mm with silk-screen printing | Dimming: DALI available on request | Walkable 500Kg

**Accessories** Information on accessories at the end of the chapter

IP68 Connector 2way/3Poles 3x2.5mm²  
MOR683P2V

Surge protector CL I - IP67 | L37xW30xH30  
ULETRA580

IP68 Y-Connector 3ways/5Poles 5x2.5mm²  
ULMOR685P3V

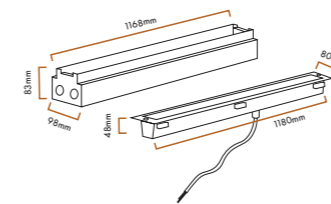


Recessed Wallwasher diffused light L. 1180



Code	Beam angle	Wattage	Source	Fixture	Input supply	CCT	CL
UL2803RWR50VS99	Diffuse	26W	3480 lm	1355 lm	220-240Vac 50/60Hz	3000K	I
UL2803RNR50VS99	Diffuse	26W	3680 lm	1435 lm	220-240Vac 50/60Hz	4000K	I

VS = Opal Glass | Dimming: DALI available on request | Walkable 500Kg



Recessed Wallwasher diffused light L. 1180



Code	Beam angle	Wattage	Source	Fixture	Input supply	CCT	CL
UL2803RWP50NB99	Spot/12°	54W	5810lm	4880lm	220-240Vac 50/60Hz	3000K	I
UL2803RWP50MB99	Flood/28°	54W	5810lm	4880lm	220-240Vac 50/60Hz	3000K	I
UL2803RWP50OB99	Oval/42°x12°	54W	5810lm	4880lm	220-240Vac 50/60Hz	3000K	I
UL2803RWP50WB99	Wide Flood/50°	54W	5810lm	4880lm	220-240Vac 50/60Hz	3000K	I
UL2803RWP50AB99	Asymmetric	54W	5810lm	4880lm	220-240Vac 50/60Hz	3000K	I
UL2803RNP50NB99	Spot/12°	54W	6100lm	5124lm	220-240Vac 50/60Hz	4000K	I
UL2803RNP50MB99	Flood/28°	54W	6100lm	5124lm	220-240Vac 50/60Hz	4000K	I
UL2803RNP50OB99	Oval/42°x12°	54W	6100lm	5124lm	220-240Vac 50/60Hz	4000K	I
UL2803RNP50WB99	Wide Flood/50°	54W	6100lm	5124lm	220-240Vac 50/60Hz	4000K	I
UL2803RNP50AB99	Asymmetric	54W	6100lm	5124lm	220-240Vac 50/60Hz	4000K	I

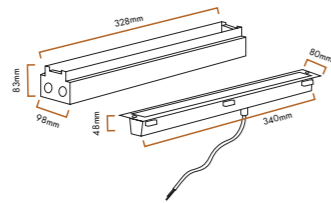
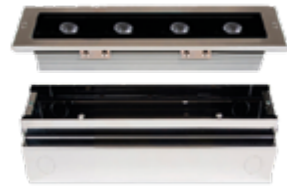
Tempered Extraclear Glass 8mm with silk-screen printing | Dimming: DALI available on request | Walkable 500Kg

**Accessories** Information on accessories at the end of the chapter

IP68 Connector 2way/3Poles 3x2.5mm²  
ULMOR683P2V

Surge protector CL I - IP67 | L37xW30xH30  
ULETRA580

IP68 Y-Connector 3ways/5Poles 5x2.5mm²  
ULMOR685P3V

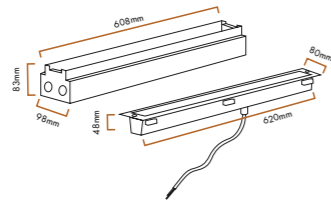


Recessed Wallwasher RGBW L. 340



Code	Beam angle	*Wattage with algorithm	Source	Fixture	Input supply	CCT	CL
UL2800RRCRCMB99	Medium/24°	12W	1650lm	1420lm	24Vdc	RGBW (W=6500K)	III
UL2800RRCRCO499	Oval/40°x20°	12W	1650lm	1420lm	24Vdc	RGBW (W=6500K)	III
UL2800RRCRCWB99	Wide Flood/35°	12W	1650lm	1420lm	24Vdc	RGBW (W=6500K)	III
UL2800RRCRCSW99	Super Wide/54°	12W	1650lm	1420lm	24Vdc	RGBW (W=6500K)	III

Tempered Extraclear Glass 8mm with silk-screen printing | Dimming: Dimmable | Walkable 500Kg



Recessed Wallwasher RGBW L. 620



Code	Beam angle	*Wattage with algorithm	Source	Fixture	Input supply	CCT	CL
UL2801RRCRCMB99	Medium/24°	24W	3300lm	2840lm	24Vdc	RGBW (W=6500K)	III
UL2801RRCRCO499	Oval/40°x20°	24W	3300lm	2840lm	24Vdc	RGBW (W=6500K)	III
UL2801RRCRCWB99	Wide Flood/35°	24W	3300lm	2840lm	24Vdc	RGBW (W=6500K)	III
UL2801RRCRCSW99	Super Wide/54°	24W	3300lm	2840lm	24Vdc	RGBW (W=6500K)	III

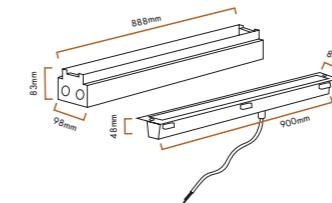
Tempered Extraclear Glass 8mm with silk-screen printing | Dimming: Dimmable | Walkable 500Kg

**\*Wattage**

with algorithm An RGBW product with **ALGORITHM SYSTEM** from 24W is comparable to standard RGBW products from 72/76W



The RGBW system has been completely revised, significantly increasing its efficiency and lumen output of colors. A new DMX control system based on a microchip algorithm has been inserted inside the lamp, capable of obtaining a constant and full power wattage for each single color or in the combination of the color channels.

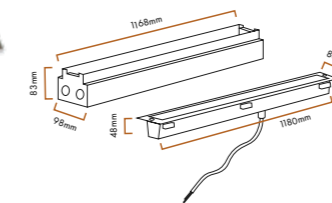


Recessed Wallwasher RGBW L. 900



Code	Beam angle	*Wattage with algorithm	Source	Fixture	Input supply	CCT	CL
UL2802RRCRCMB99	Medium/24°	36W	4950 lm	4260 lm	24Vdc	RGBW (W=6500K)	III
UL2802RRCRCO499	Oval/40°x20°	36W	4950 lm	4260 lm	24Vdc	RGBW (W=6500K)	III
UL2802RRCRCWB99	Wide Flood/35°	36W	4950 lm	4260 lm	24Vdc	RGBW (W=6500K)	III
UL2802RRCRCSW99	Super Wide/54°	36W	4950 lm	4260 lm	24Vdc	RGBW (W=6500K)	III

Tempered Extraclear Glass 8mm with silk-screen printing | Dimming: Dimmable | Walkable 500Kg



Recessed Wallwasher RGBW L. 1180



Code	Beam angle	*Wattage with algorithm	Source	Fixture	Input supply	CCT	CL
UL2803RRCRCMB99	Medium/24°	48W	6600lm	5680lm	24Vdc	RGBW (W=6500K)	III
UL2803RRCRCO499	Oval/40°x20°	48W	6600lm	5680lm	24Vdc	RGBW (W=6500K)	III
UL2803RRCRCWB99	Wide Flood/35°	48W	6600lm	5680lm	24Vdc	RGBW (W=6500K)	III
UL2803RRCRCSW99	Super Wide/54°	48W	6600lm	5680lm	24Vdc	RGBW (W=6500K)	III

Tempered Extraclear Glass 8mm with silk-screen printing | Dimming: Dimmable | Walkable 500Kg

**Accessories** Information on accessories at the end of the chapter

Cavo/Cable H05BQ-F 5x1   2M ULECAV538020	Driver ON/OFF - 100W 24Vdc IP67   L140xW63xH32 ULETRA579
Cavo/Cable H05BQ-F 5x1   5M ULECAV538050	Driver remoto ELG 240W 24Vdc IP67   L244xW71xH38 ULETRA592
Cavo/Cable H05BQ-F 5x1   10M ULECAV538100	RGBW Controller 16DMX Ch. 100-240V ULECNT001
IP68 Connector 2-ways/5-Poles 5x4mm² ULMOR685P2V	RGBW Controller 1024DMX Ch. USB/Ethernet 100-240V ULECNT002
IP68 Y-Connector 3ways/5Poles 5x2.5mm² ULMOR685P3V	

**\*Wattage**

with algorithm An RGBW product with **ALGORITHM SYSTEM** from 24W is comparable to standard RGBW products from 72/76W

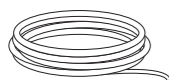


The RGBW system has been completely revised, significantly increasing its efficiency and lumen output of colors. A new DMX control system based on a microchip algorithm has been inserted inside the lamp, capable of obtaining a constant and full power wattage for each single color or in the combination of the color channels.

# Accessories

Venus / Venus RGBW

## CONNECTION



Cable H05BQ-F 5x1 - 2mt  
ULECAV538020

Cable H05BQ-F 5x1 - 5mt  
ULECAV538050

Cable H05BQ-F 5x1 - 10mt  
ULECAV538100



IP68 Connector 2-ways/5-poles.  
Maximum section 5x4mm<sup>2</sup>  
ULMOR685P2V



IP68 Y-Connector 3ways/5poles - 5x2.5mm<sup>2</sup>  
ULMOR685P3V

## DRIVER / ELECTRONICS Constant voltage 24Vdc



Driver 100W 24Vdc IP67 - ON/OFF  
ULETRA579

1 Driver for 1-4 Lamps



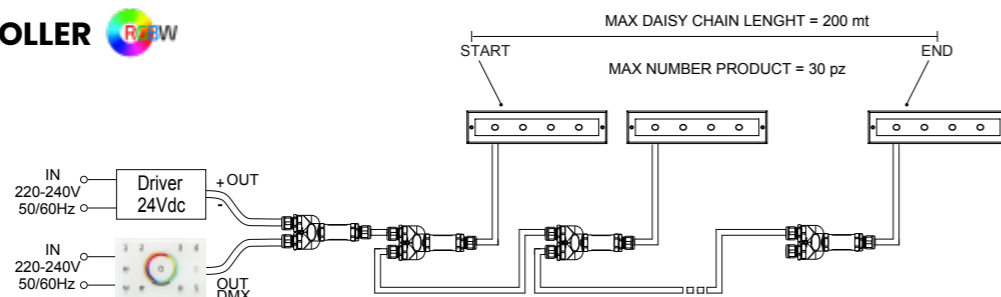
Driver ELG 240W 24Vdc IP67  
ULETRA592

1 Hub for 5-9 Lamps

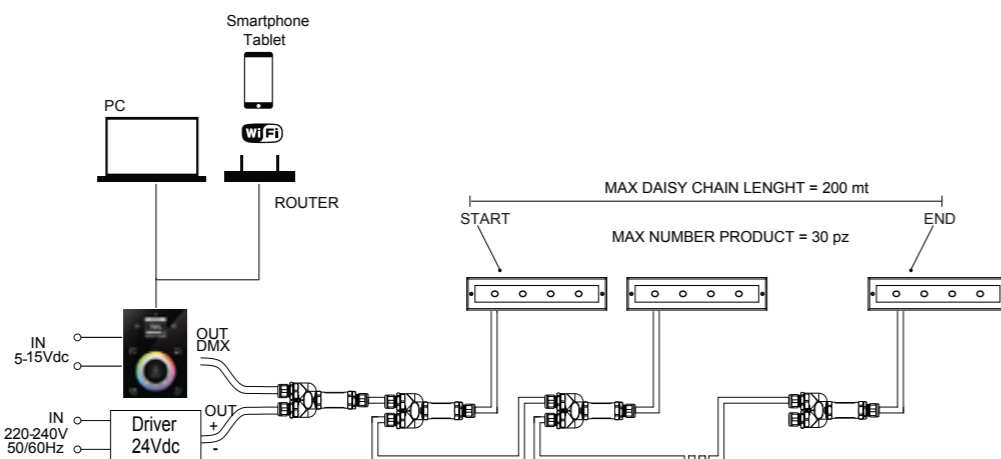
## TOUCH CONTROLLER



RGBW Touch Panel  
controller 16DMX  
Ch. 100-240V  
ULECNT001



RGBW Touch Panel  
controller 1024DMX  
Ch. USB/Ethernet 100-240V  
ULECNT002









# Vienna

LED post top luminaires

Elegant design and high impact resistance luminaire suitable for outdoor spaces



 120°	 IP65	 CRI >80	 IK09	 CE	 RoHS
 -20/+50°C	 220-240V	 RGBW	 50K HRS	 5 YEARS WARRANTY	

Color

light grey

## Features

Die cast aluminium alloy housing with transparent polycarbonate diffuser

Robust construction with tamper proof screws

CCT: 4000K standard; 3000K | 5000K | 5000K and RGBW available on request

Quick-plug / DALI dimming option available on request

Up to 10kV surge protection

IP65 ingress protection and IK09 impact resistance makes it ideal for outdoor façade, building, garden, parks, etc.

Code	Wattage	Lumen output	CCT
ULPTVI5040	50W	6000lm	4000K



## Optional versions

Quick plug  
ULPTVI50yy-QP

DALI dimming  
ULPTVI50yy-DALI

RGBW  
ULPLTVI50RGBW

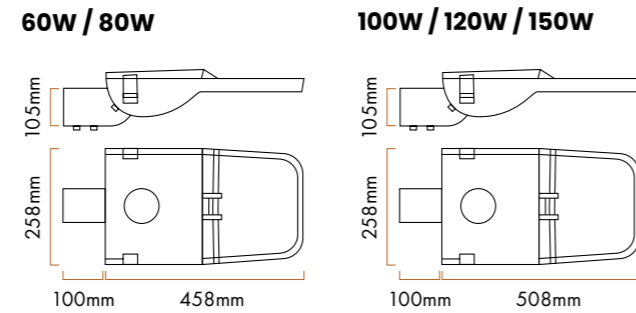






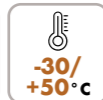



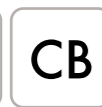

yy = selection of color temperature

# Lito

## Slim and compact profile LED streetlight

Excellent optical performance, extremely energy efficient and durable with ease of maintainance



-  IP66
-  CRI >70
-  10KV SURGE PROTECTION
-  CE
-  -30/+50°C
-  220-240V
-  OPTICS R01 R02
-  CB
-  100K HRS
-  5 YEARS WARRANTY

Color



### Features

- Robust and durable aluminium housing

---

- 4mm tempered glass with grey finish

---

- Lumen output up to 140lm/W

---

- Modern sleek and compact design for maximum wind resistance

---

- Flicker-free driver

---

- Field adjustable installation angle

---

- High lumen output up to 21.000lm

---

- IP66 Industrial rated silicon gasket, suitable for all weather conditions

---

- 1-10V/ DALI dimmable options available on request

---

- CCT: 4000K standard; 3000K | 5000K | 6000K available on request

---

- Maintenance flaps for easy access to driver compartment

Code	Wattage	Optics	Lumen output	CCT	Dimensions (LxWxH)
ULSTLI60R0140	60W	R01	8400 lm	4000K	558x258x105 mm
ULSTLI60R0240	60W	R02	8400 lm	4000K	558x258x105 mm
ULSTLI80R0140	80W	R01	11200 lm	4000K	558x258x105 mm
ULSTLI80R0240	80W	R02	11200 lm	4000K	558x258x105 mm
ULSTLI100R0140	100W	R01	14000 lm	4000K	608x300x105 mm
ULSTLI100R0240	100W	R02	14000 lm	4000K	608x300x105 mm
ULSTLI120R0140	120W	R01	16800 lm	4000K	608x300x105 mm
ULSTLI120R0240	120W	R02	16800 lm	4000K	608x300x105 mm
ULSTLI150R0140	150W	R01	21000 lm	4000K	608x300x105 mm
ULSTLI150R0240	150W	R02	21000 lm	4000K	608x300x105 mm

### Optional versions

1-10V Dimming  
 ULSTLixxyzz-110

DALI Dimming  
 ULSTLixxyzz-DALI

Class II luminaire

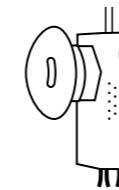
Corrosion-resistant coating for seaside applications

20KV Surge protection

CRI 80 available on request

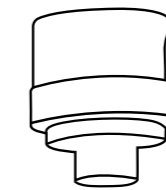
Electrical disconnecter

### Accessories

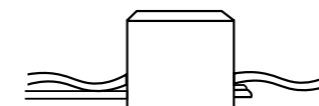


Motion sensor  
 ULSTLixxyzz-MS

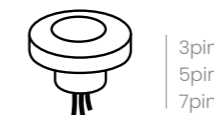
Daylight + motion sensor  
 ULSTLixxyzz-DSMS



Daylight sensor  
 ULSTLixxyzz-DS



20KV Surge Protection



NEMA Base

NEMA socket  
 ULSTLixxyzz-NEMA

3pin  
 5pin  
 7pin



**xx** = selection of wattage

**yy** = selection of optics

**zz** = selection of color temperature





**Lito**

# Symbols

## Unolumen Collection

### IP protection class (EN60598)

The International Protection (or IP protection class) in electrical engineering is a code that summarises the protection level of an electrical device against accidental or intentional contact with the human body or with objects, and protection against contact with water.

Level	Protection against the ingress of solid impurities	Level	Protection against the ingress of liquids
IP0x	No protection	IPx0	No protection
IP1x	Protected against solid impurities larger than 50 mm. Protected against access with back of hand.	IPx1	Protected against vertically falling drops of water.
IP2x	Protected against solid impurities larger than 12 mm. Protected against access with a finger.	IPx2	Protected against falling drops of water up to 15° from the vertical.
IP3x	Protected against solid impurities larger than 2.5 mm. Protected against access with a tool.	IPx3	Protected against direct sprays of water up to 60° from the vertical.
IP4x	Protected against solid impurities larger than 1 mm. Protected against access with a wire.	IPx4	Protected against sprays of water from all directions.
IP5x	Protected against dust. (low levels and not on conductive parts)	IPx5	Protected against spurts of water from all directions.
IP6x	Total protection against the ingress of dust. (no trace)	IPx6	Protected against powerful spurts of water from all directions.
		IPx7	Protected against the effects of temporary immersion.
		IPx8	Protected against the effects of continuous immersion.

### Insulation class (EN60598)

Electrical insulation classes represent the homogeneous grouping defined by the IEC (International Electrotechnical Commission) of the technical characteristics applicable to an electric device in order to limit the risk of electrocution resulting from a fault in said device.



**Class I**  
Devices in this class must have all their accessible parts grounded by way of an earth conductor.



**Class II**  
Devices in this class do not have voltage values above the SELV (safety extra low voltage).



**Class III**  
Devices in this class are designed in such a way that they do not need to be grounded.

### IK Code (EN62262)

IK Code is an international numeric classification for the degrees of protection provided by enclosures for electrical equipment against external mechanical impacts, and specify the capacity of: an enclosure to protect its contents from external impacts, measured in Joule.

IK	00	01	02	03	04	05	06	07	08	09	10	
<b>IK07</b>	Joules	0	0.15	0.20	0.35	0.50	0.70	1	2	5	10	20





UNOLUMEN®  
(an entity of NORLYS Srl)

☎ +39 333 2690681  
@ sales@unolumen.com  
🌐 [www.unolumen.com](http://www.unolumen.com)

Via San Pellegrino, 2, 25065  
Lumezzane, Brescia  
Italy